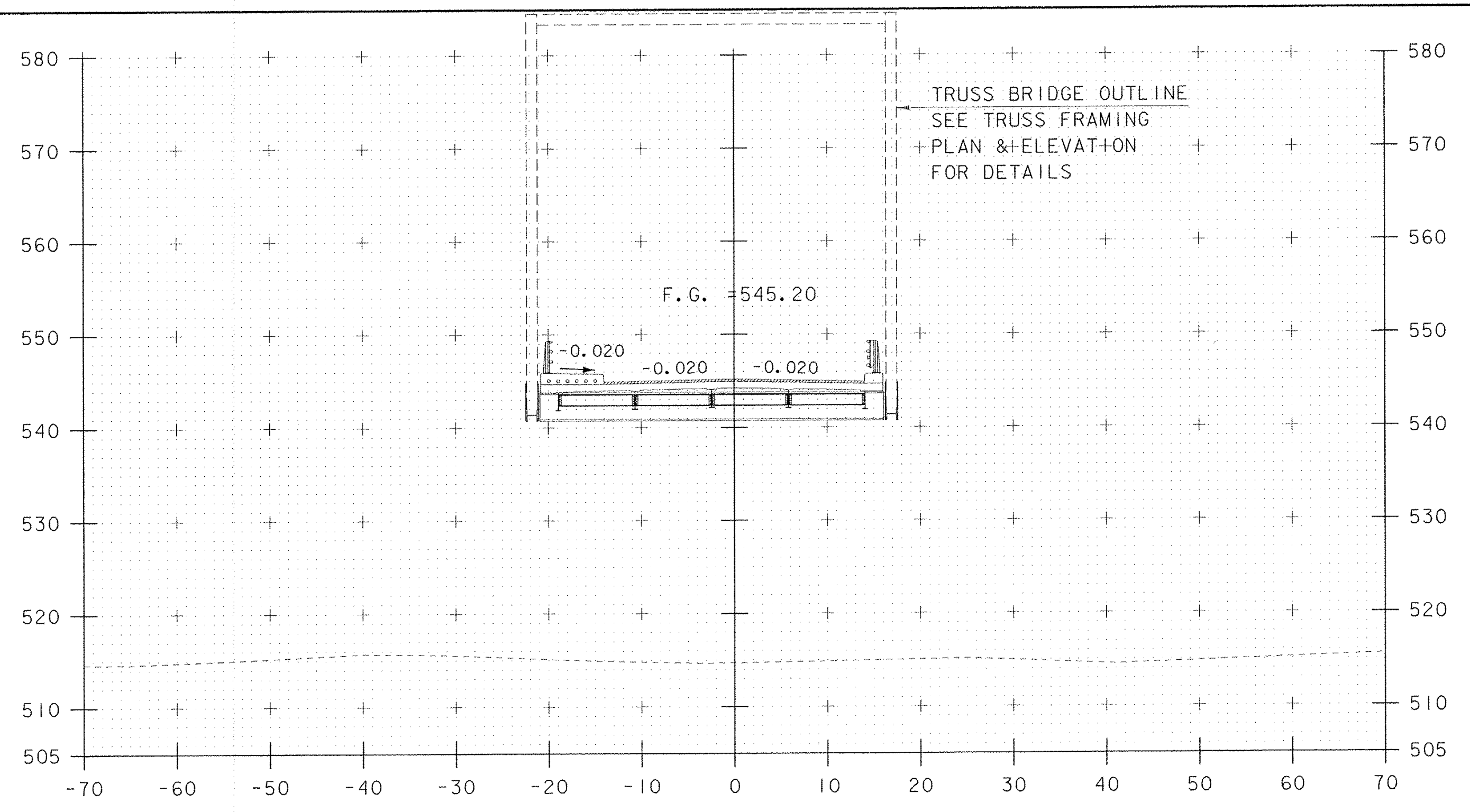
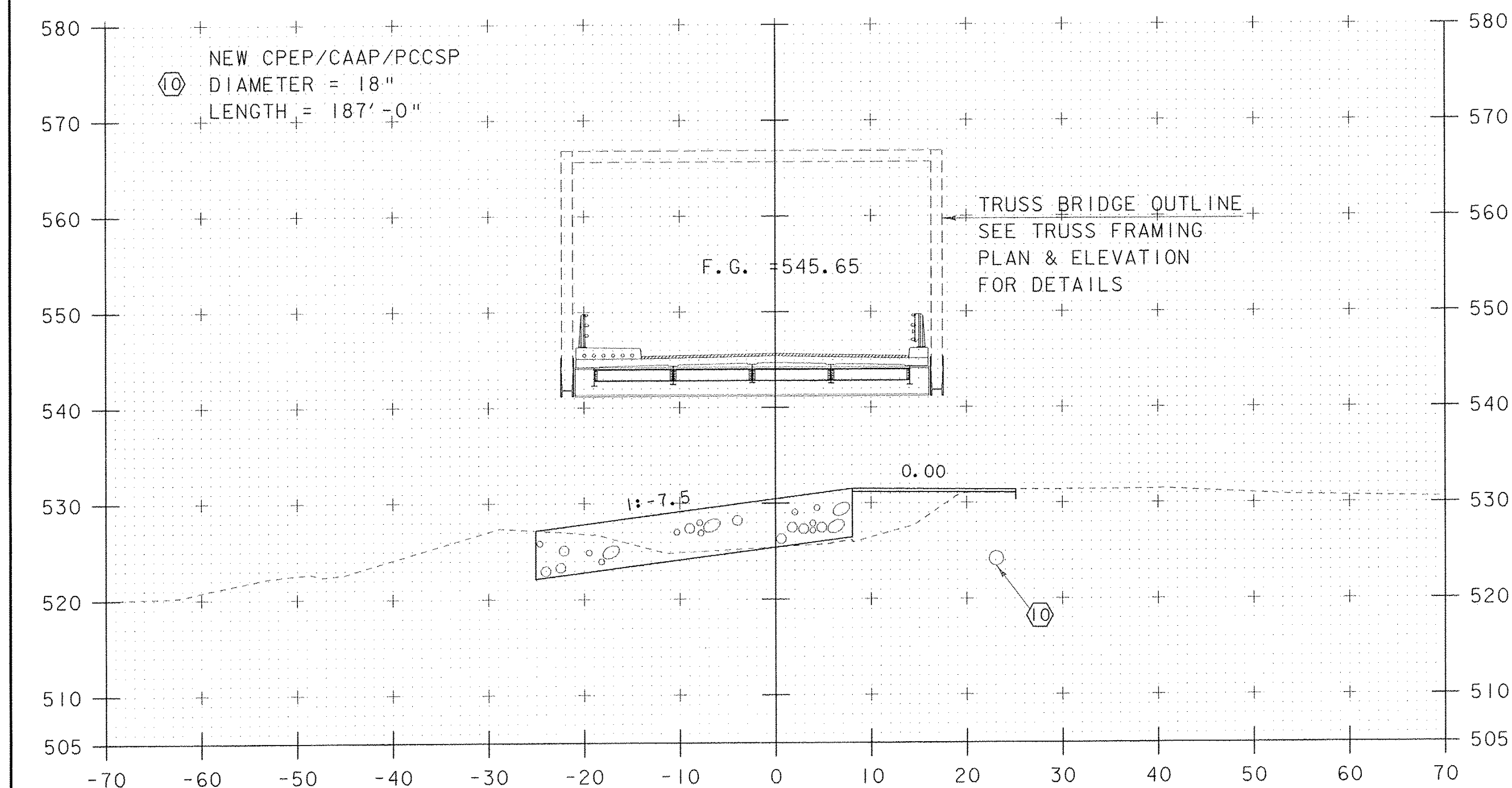


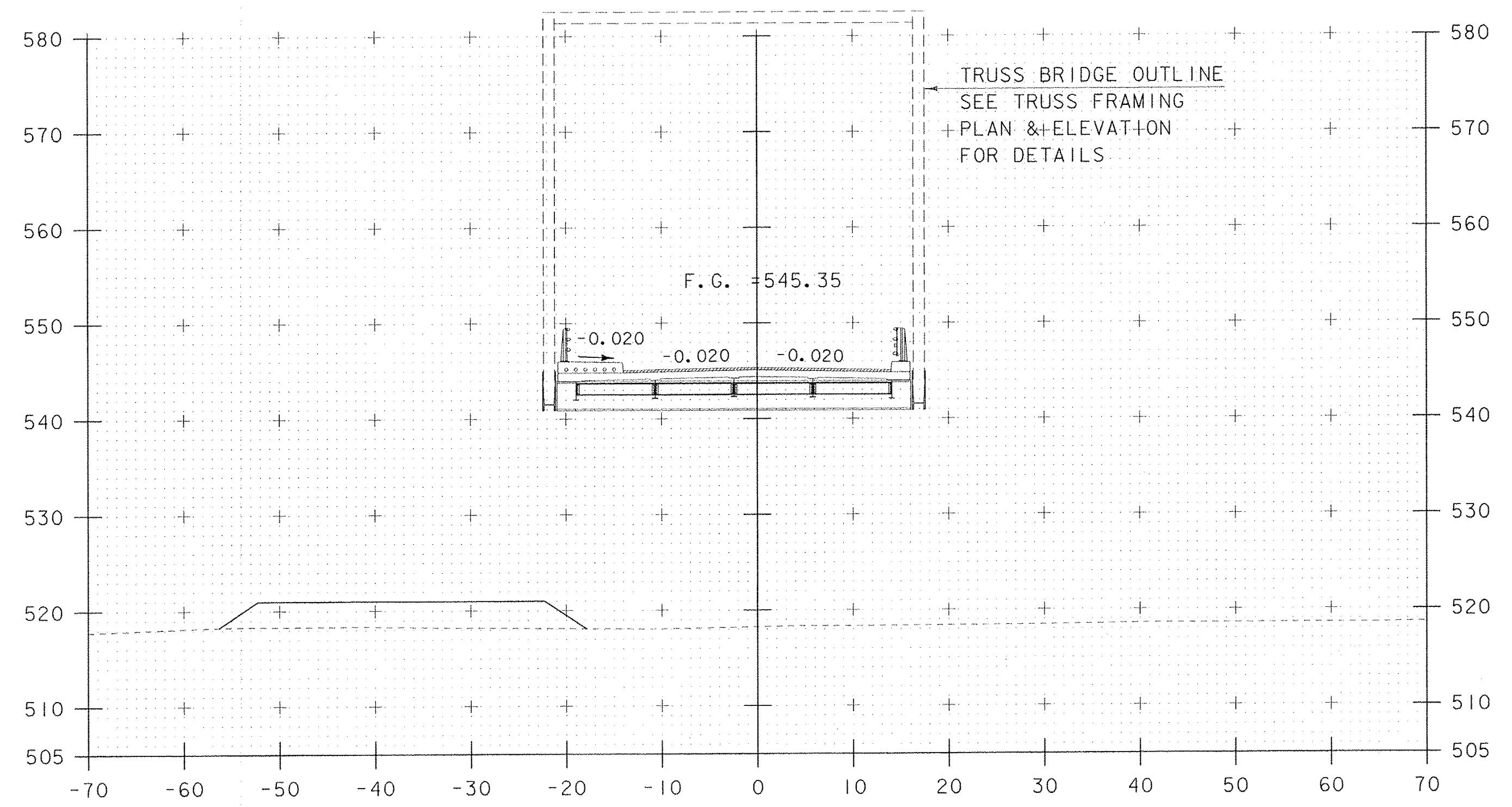
126+00



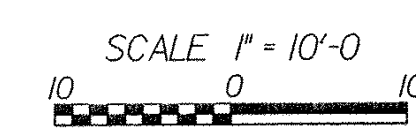
126+50



125+75



126+25



STA. 125+75 TO STA. 126+50

PROJECT NAME: BETHEL	PLOT DATE: 20-MAY-2011
PROJECT NUMBER: BRF 022-1(14)	DRAWN BY: G. ROKES
FILE NAME: 78\FI6\STR\sf161xs.dgn	CHECKED BY: S. SCRIBNER
PROJECT LEADER: M. EVANS-MONGEON	SHEET 112 OF 148
DESIGNED BY: S. SCRIBNER	
VT 107 CROSS SECTION SHEET 6	