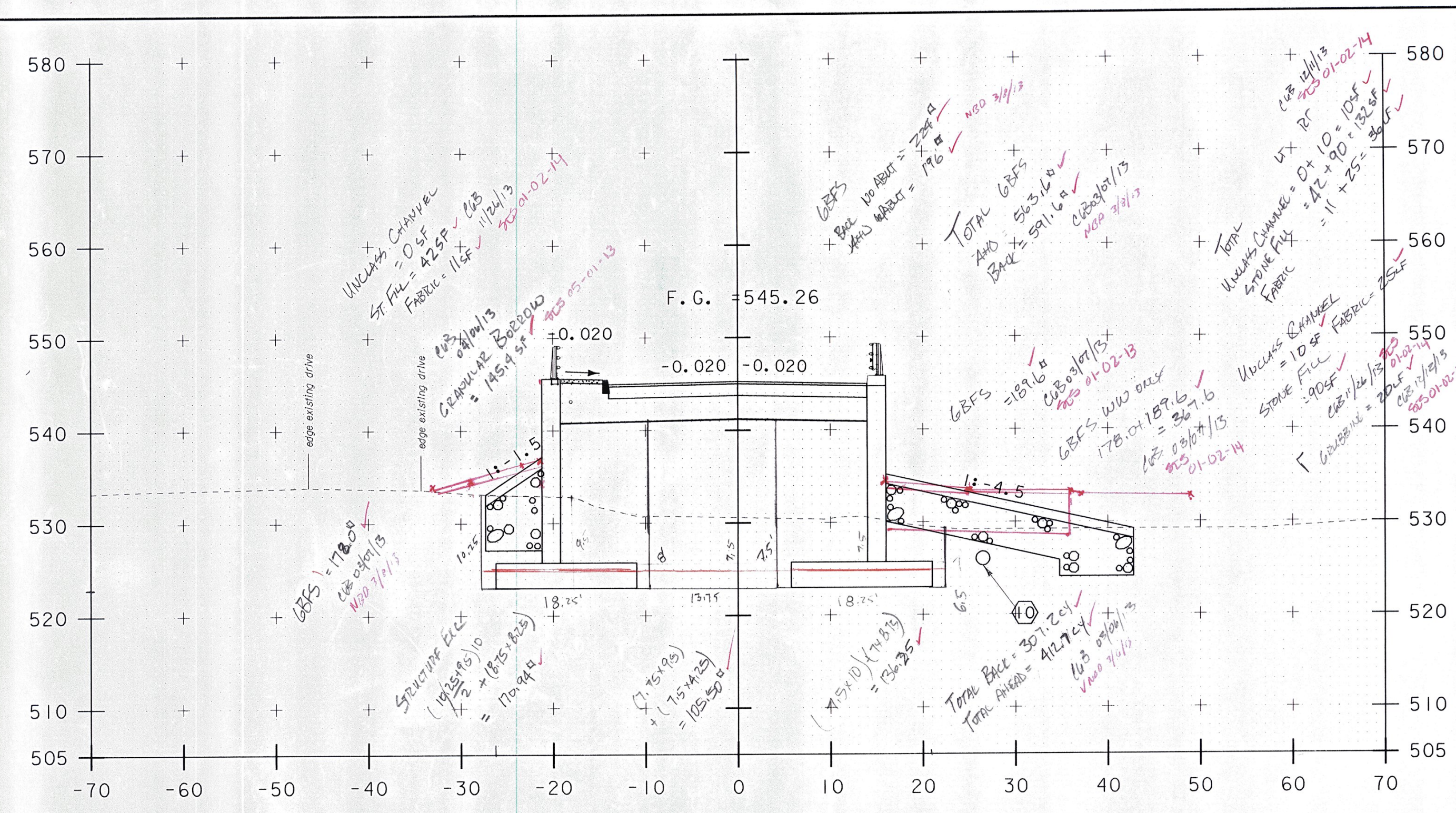
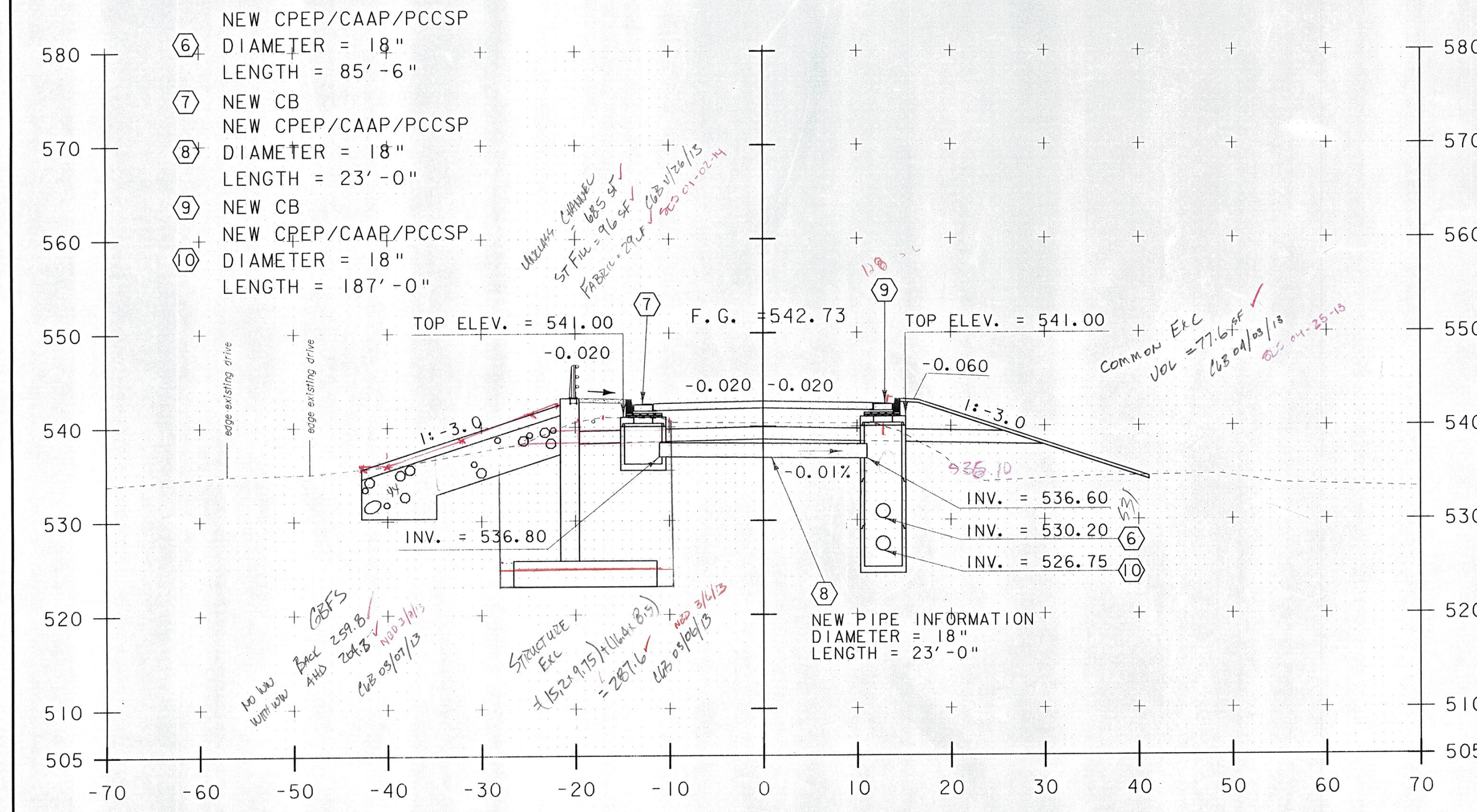


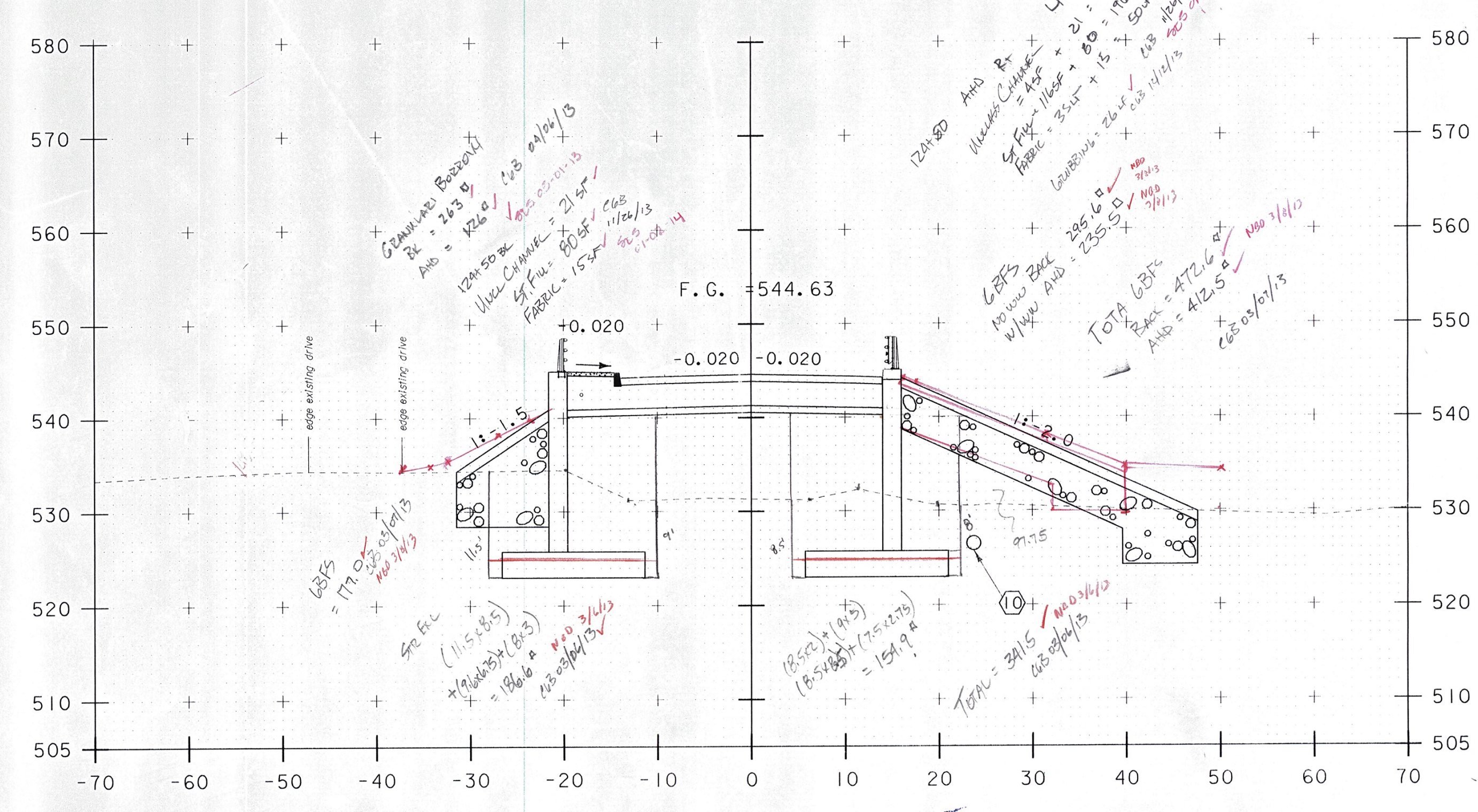
124+25



124+75



124+00

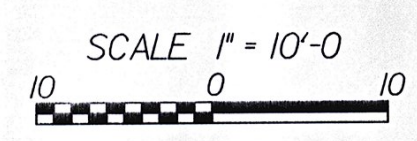


124+50

- ⑥ NEW C/CAAP/PCCSP  
DIAMETER = 18"  
LENGTH = 85'-6"
- ⑦ NEW CB  
NEW C/CAAP/PCCSP  
DIAMETER = 18"  
LENGTH = 23'-0"
- ⑧ NEW CB  
NEW C/CAAP/PCCSP  
DIAMETER = 18"  
LENGTH = 23'-0"
- ⑨ NEW CB  
NEW C/CAAP/PCCSP  
DIAMETER = 18"  
LENGTH = 187'-0"

NEW PIPE INFORMATION  
DIAMETER = 18"  
LENGTH = 23'-0"

NOTE CB PRECAST CONCRETE CATCH BASIN



PROJECT NAME:	BETHEL
PROJECT NUMBER:	BRF 022-1(14)
FILE NAME:	78f161\STR\sf161xs.dgn
PROJECT LEADER:	M. EVANS-MONGEON
DESIGNED BY:	S. SCRIBNER
VT 107 CROSS SECTION SHEET 4	
PLOT DATE:	20-MAY-2011
DRAWN BY:	G. ROKES
CHECKED BY:	S. SCRIBNER
SHEET	110 OF 148

STA. 124+00 TO STA. 124+75