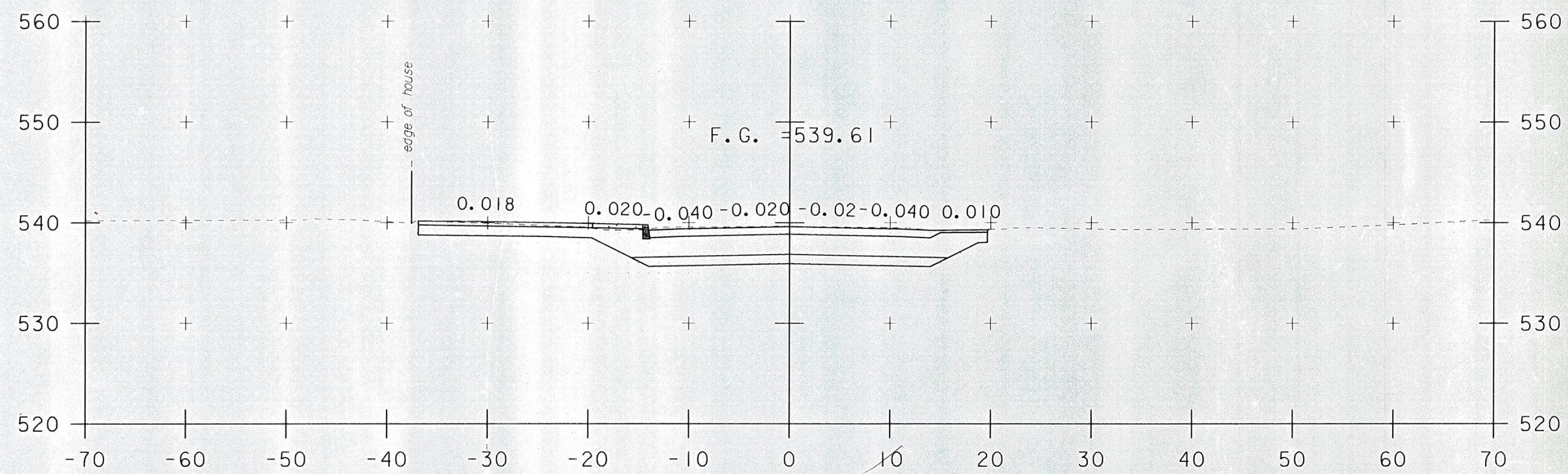
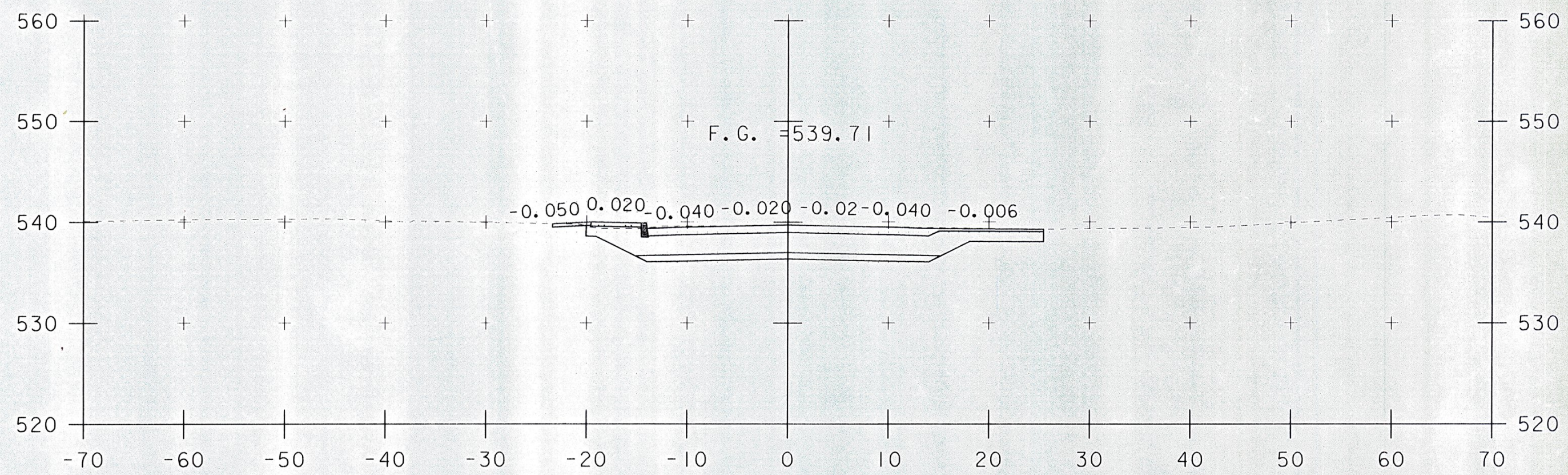


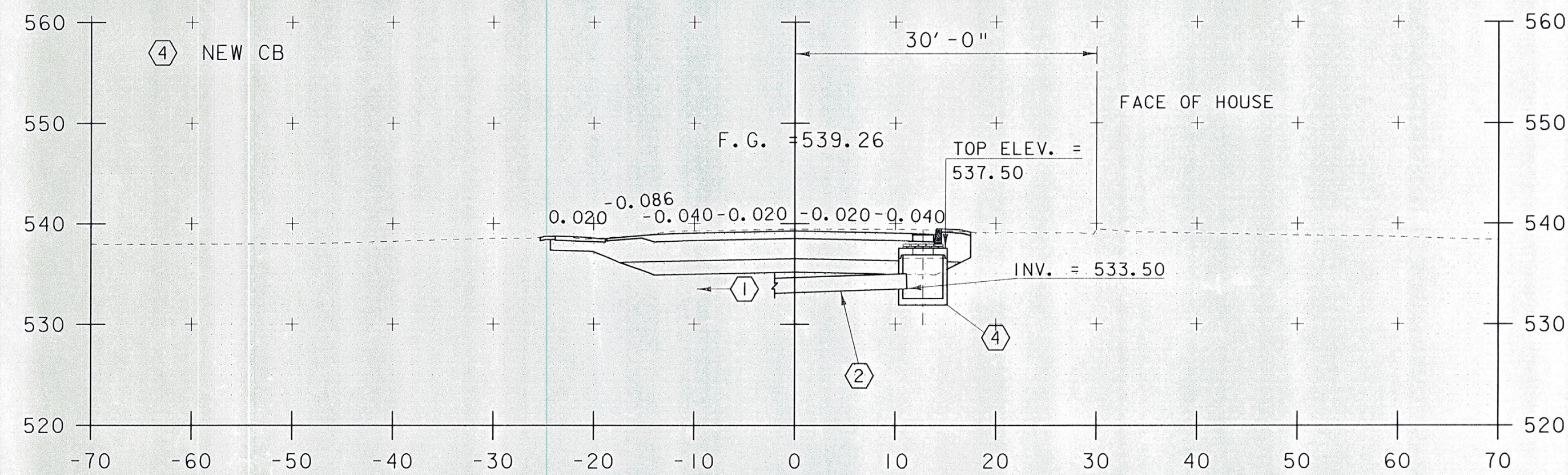
122+25
BEGIN PROJECT/END APPROACH 122+34.00



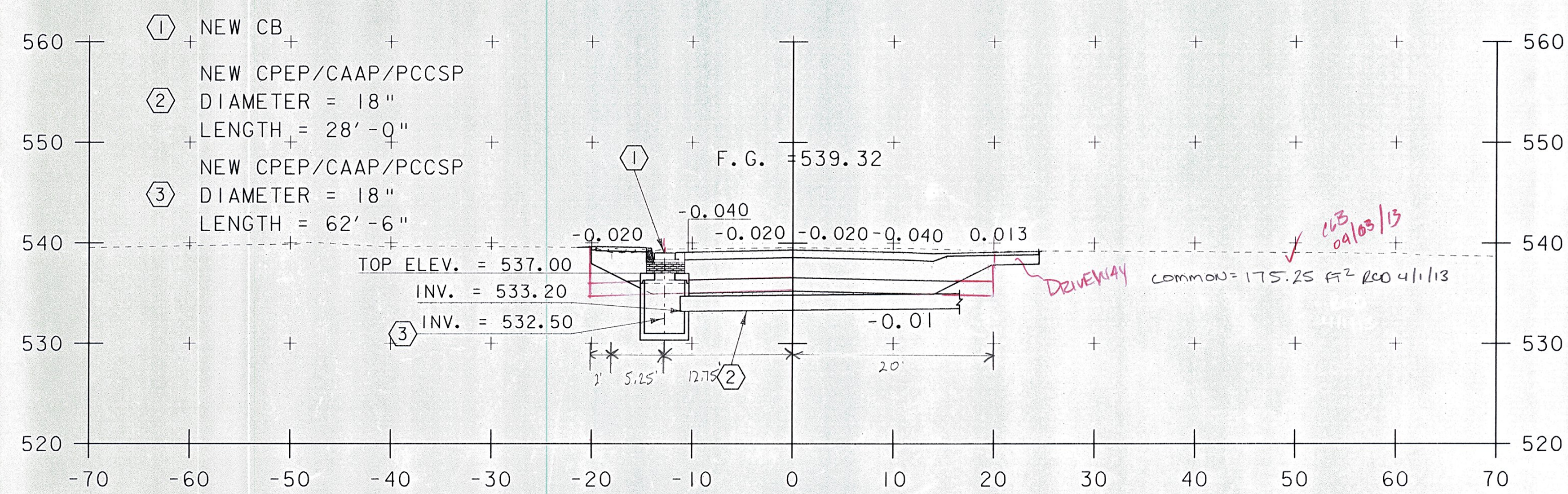
122+24
Q OF WALKWAY TO HOUSE (LEFT)



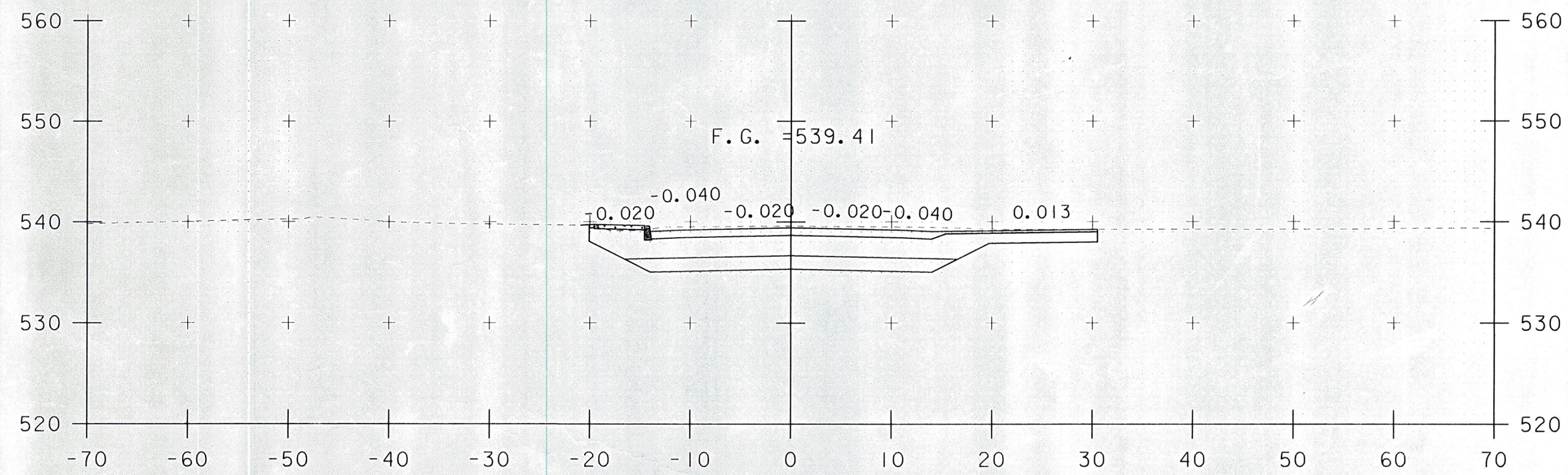
122+16
DRIVE RT



122+67

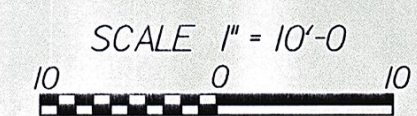


122+50



122+40
DRIVE RT

NOTE CB PRECAST CONCRETE CATCH BASIN



STA. 122+16 TO STA. 122+67

PROJECT NAME:	BETHEL
PROJECT NUMBER:	BRF 022-1(14)
FILE NAME:	78F16\STR\s161xs.dgn
PROJECT LEADER:	M. EVANS-MONGEON
DESIGNED BY:	S. SCRIBNER
VT 107 CROSS SECTION SHEET 2	
PLOT DATE:	20-MAY-2011
DRAWN BY:	G. ROKES
CHECKED BY:	S. SCRIBNER
SHEET	108 OF 148