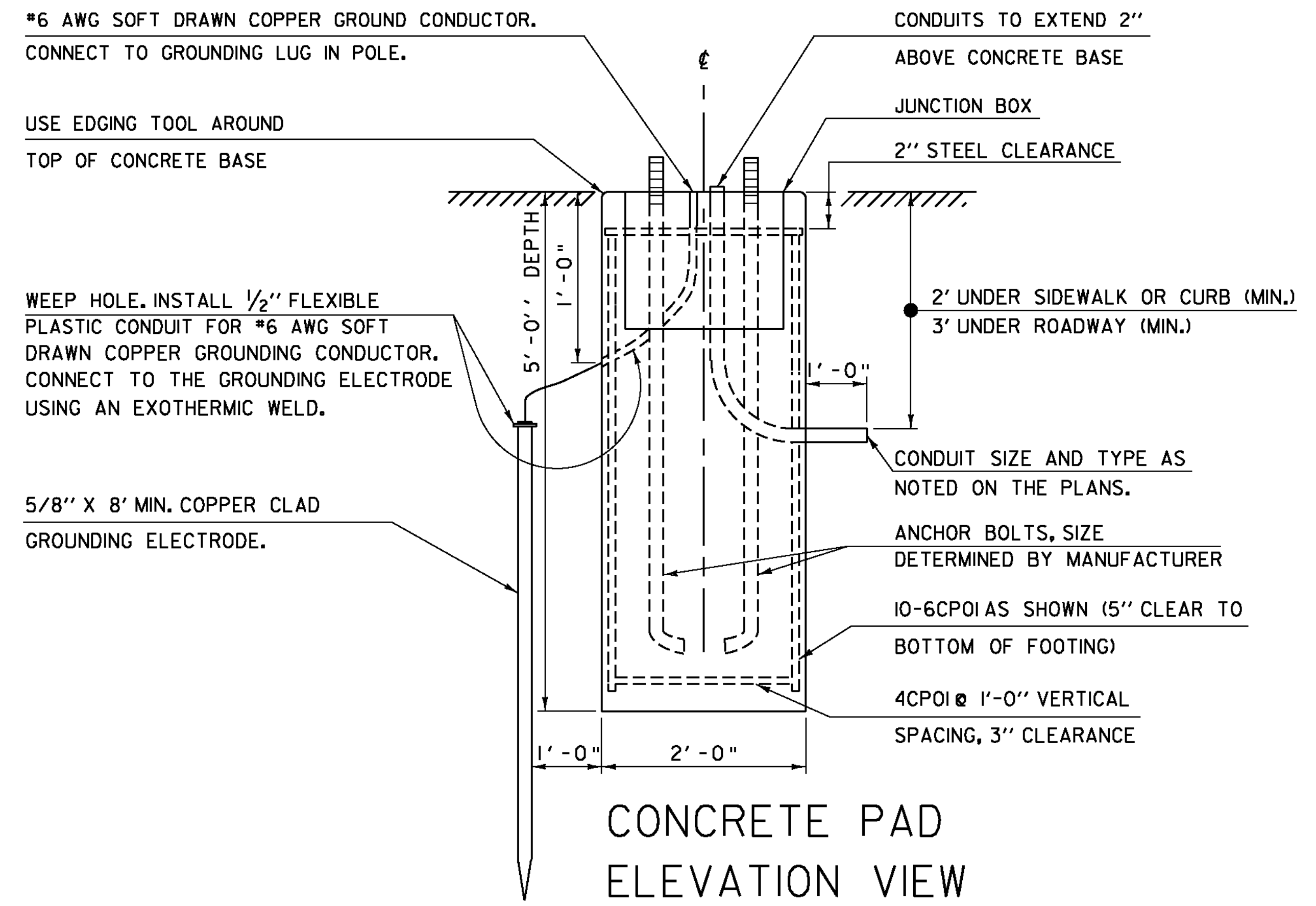


CONCRETE PAD PLAN VIEW

NTS



CONCRETE PAD ELEVATION VIEW

NTS

PROJECT NAME: BETHEL
PROJECT NUMBER: BRF 022-1(14)

FILE NAME: s78f6llf1e.dgn
PROJECT LEADER: M. EVANS-MONGEON
DESIGNED BY: S. SCRIBNER
CONCRETE PAD DETAILS

PLOT DATE: 20-MAY-2011
DRAWN BY: S. SCRIBNER
CHECKED BY: S. SCRIBNER
SHEET 100 OF 148