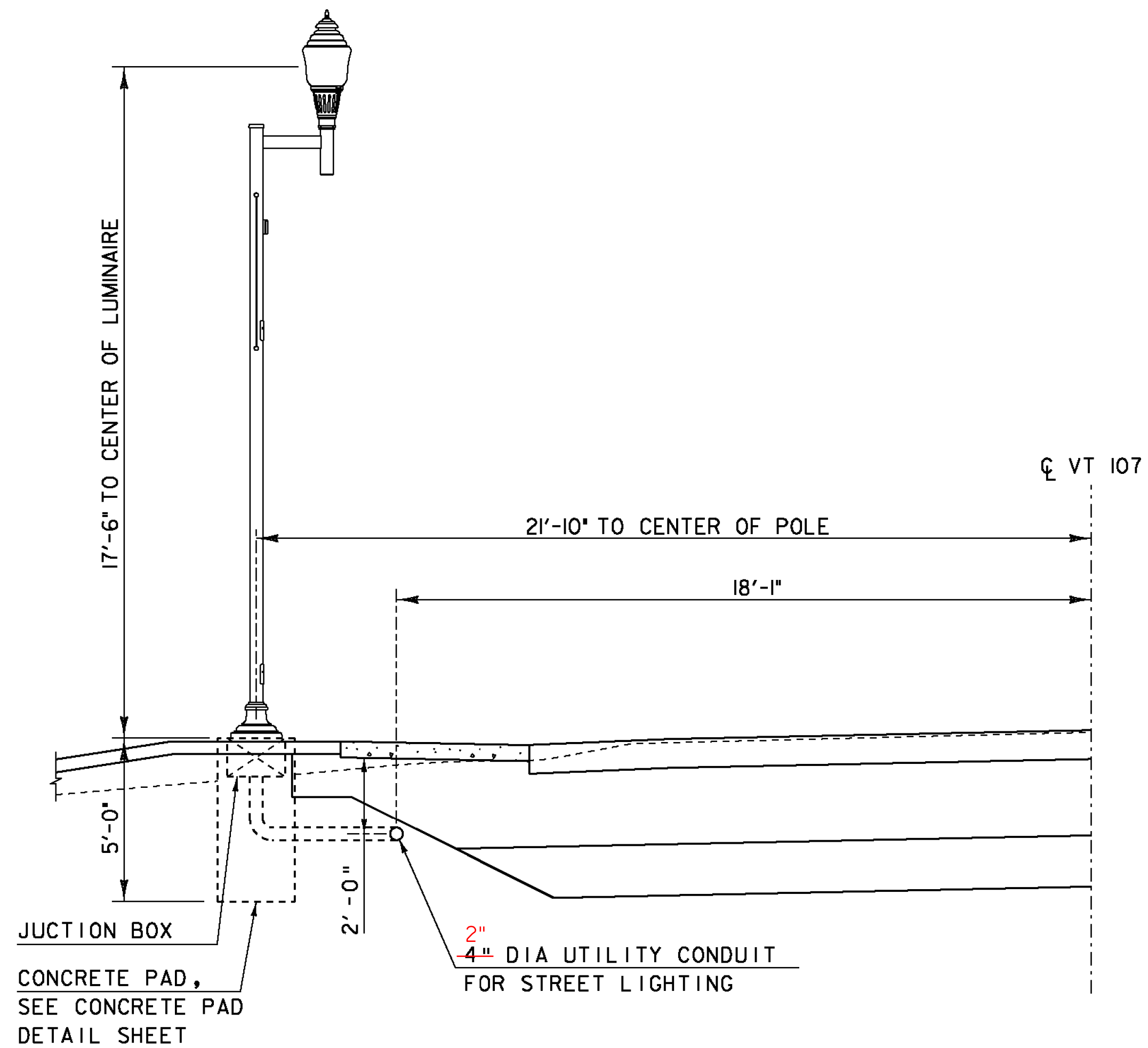


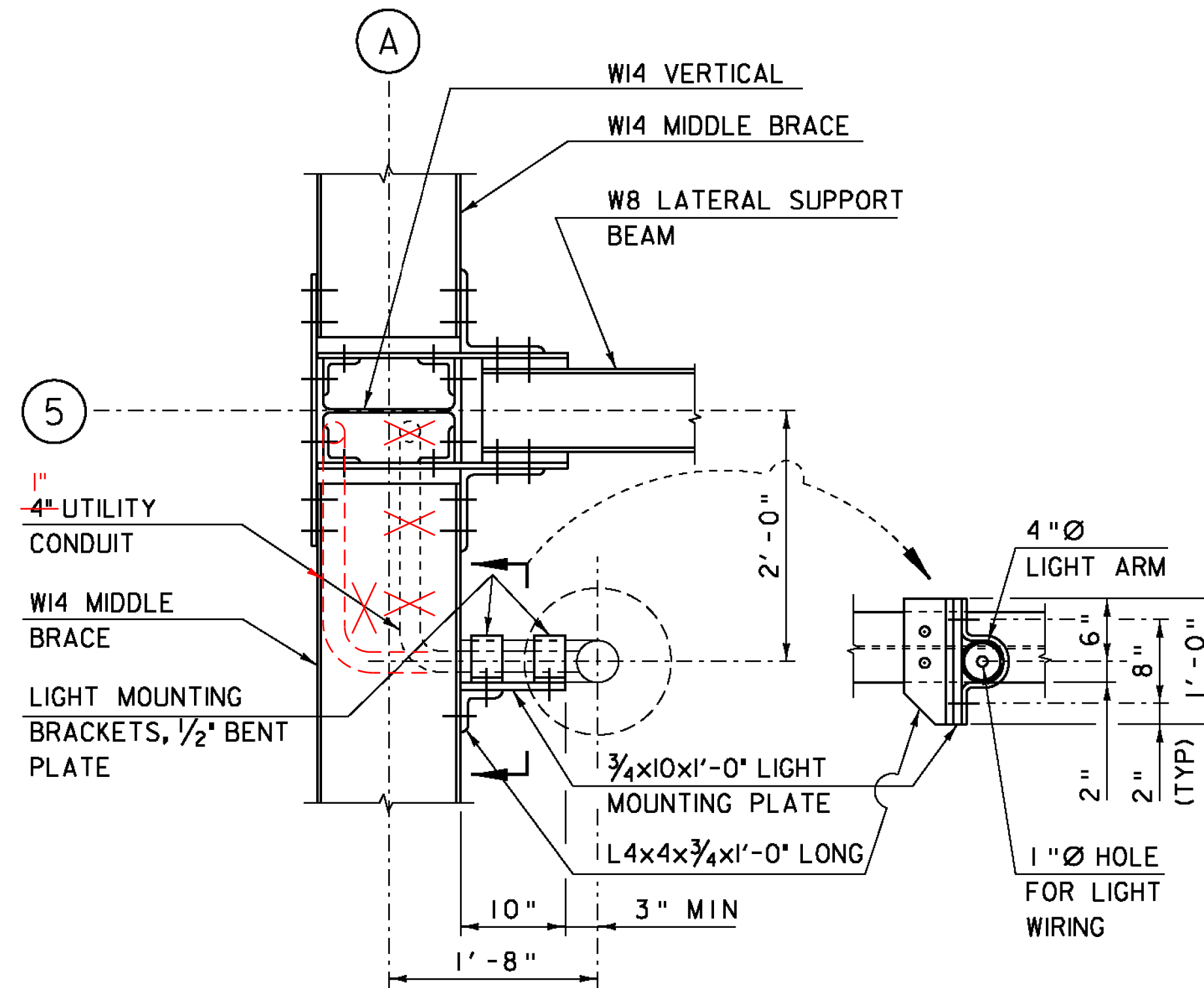
**EMBankment LIGHTPOLE PLAN**

SCALE 3/8" = 1'-0"



**EMBankment LIGHTPOLE TYPICAL**

SCALE 3/8" = 1'-0"

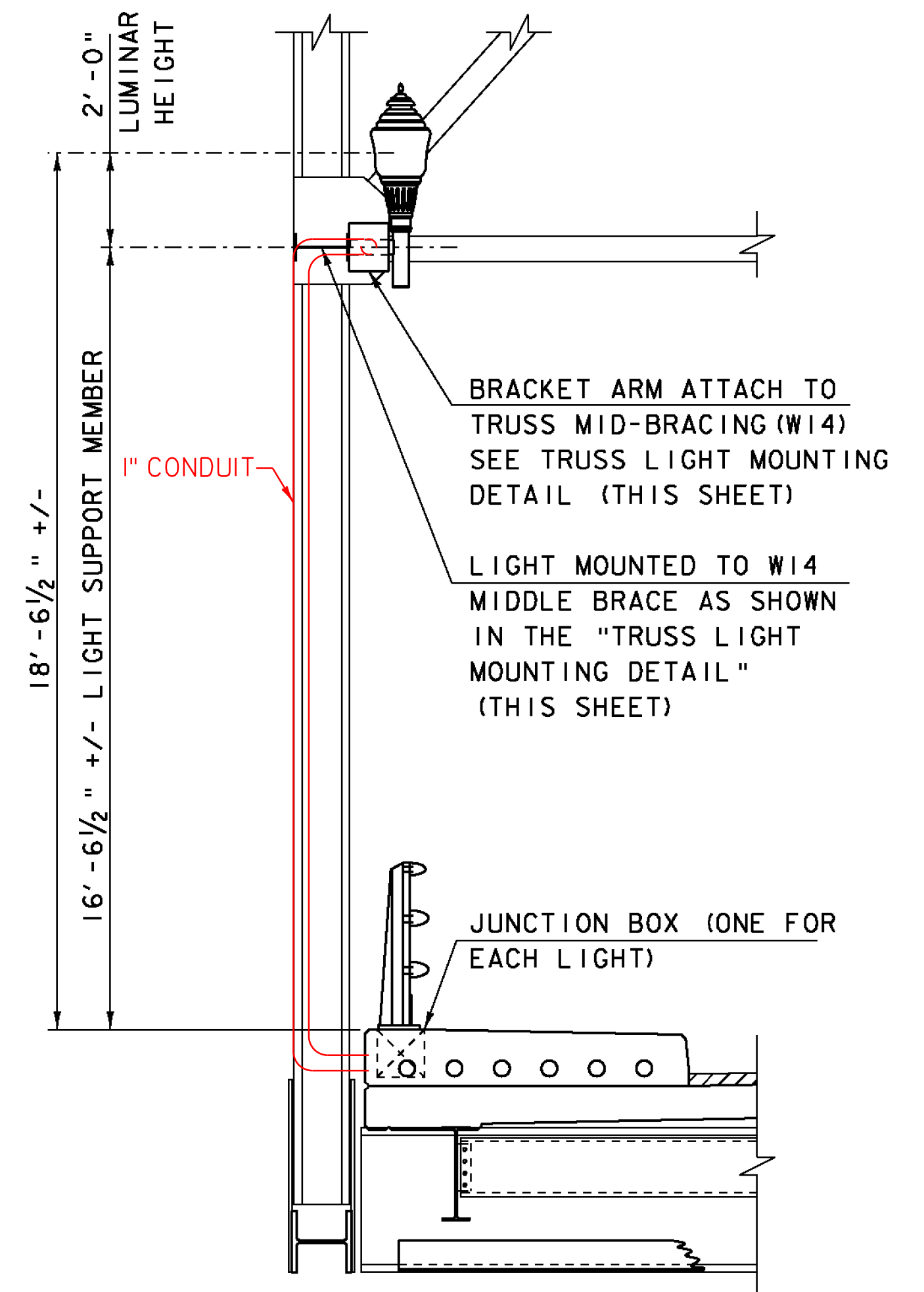


**TRUSS LIGHT MOUNTING DETAIL (PLAN VIEW)**

SCALE 1" = 1'-0"

1.) CONDUIT SHALL BE ATTACHED TO TRUSS MEMBERS BY MEANS OF EPOXY WELDING OR OTHER METHODS THAT DO NOT REQUIRE FIELD DRILLING OF TRUSS MEMBERS. NO FIELD DRILLING, REAMING, OR CUTTING OF TRUSS OR TRUSS CONNECTION MEMBERS.

2.) PAYMENT FOR CONNECTION STEEL AND HARDWARE FOR MOUNTING LIGHT WILL BE INCLUDED IN ITEM 506.57 "STRUCTURAL STEEL, TRUSS".



**TRUSS LIGHTPOLE TYPICAL**

SCALE 3/8" = 1'-0"

PROJECT NAME: BETHEL  
PROJECT NUMBER: BRF 022-1(14)

FILE NAME: s78f1611te.dgn PLOT DATE: 20-MAY-2011  
PROJECT LEADER: M. EVANS-MONGEON DRAWN BY: S. SCRIBNER  
DESIGNED BY: S. SCRIBNER CHECKED BY: S. SCRIBNER  
LIGHTPOLE DETAILS 2 SHEET 99 OF 148