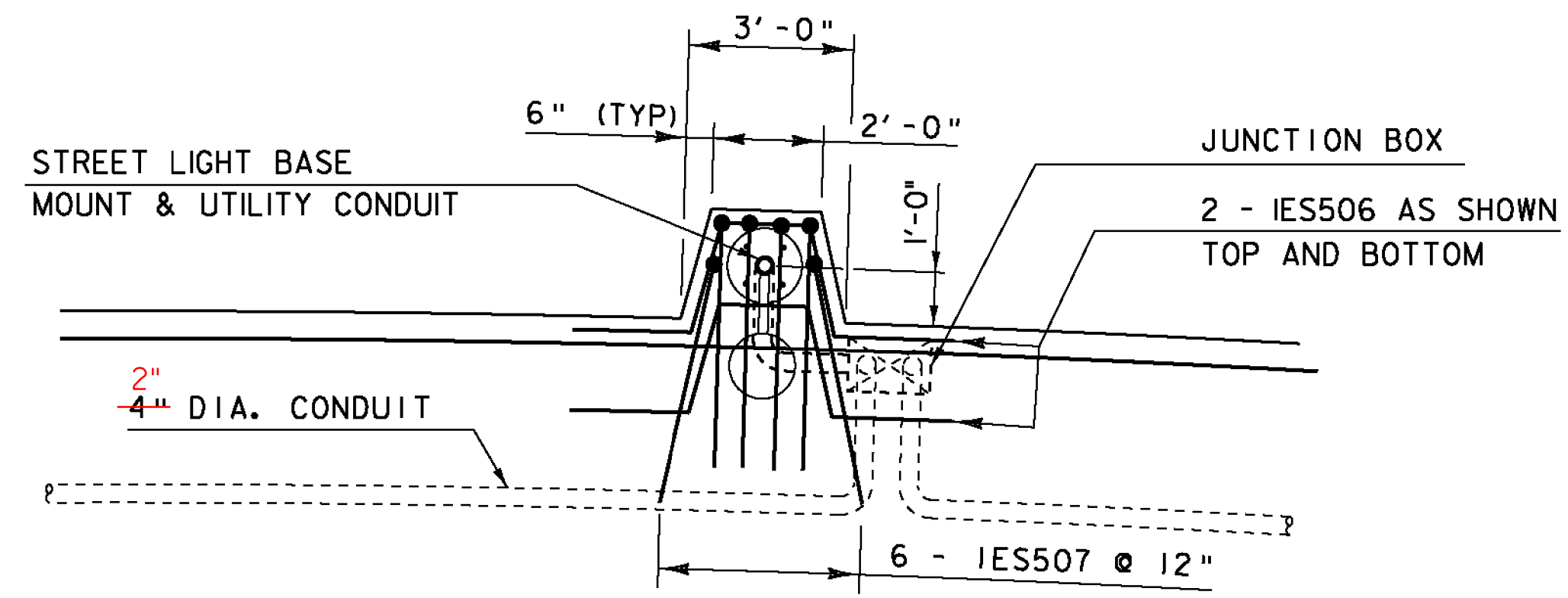


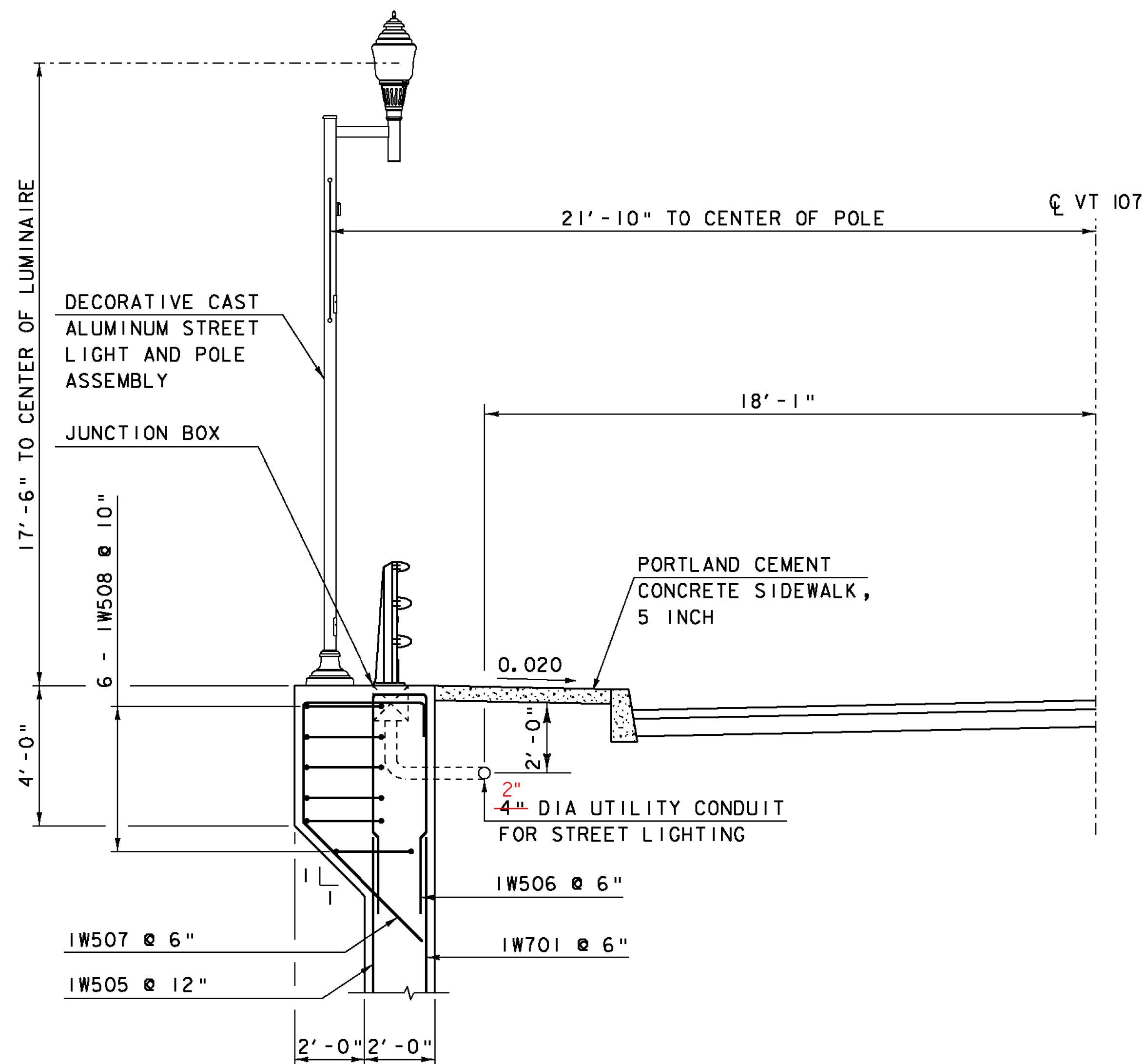
WINGWALL I LIGHTPOLE PLAN

SCALE $\frac{3}{8}$ " = 1'-0"



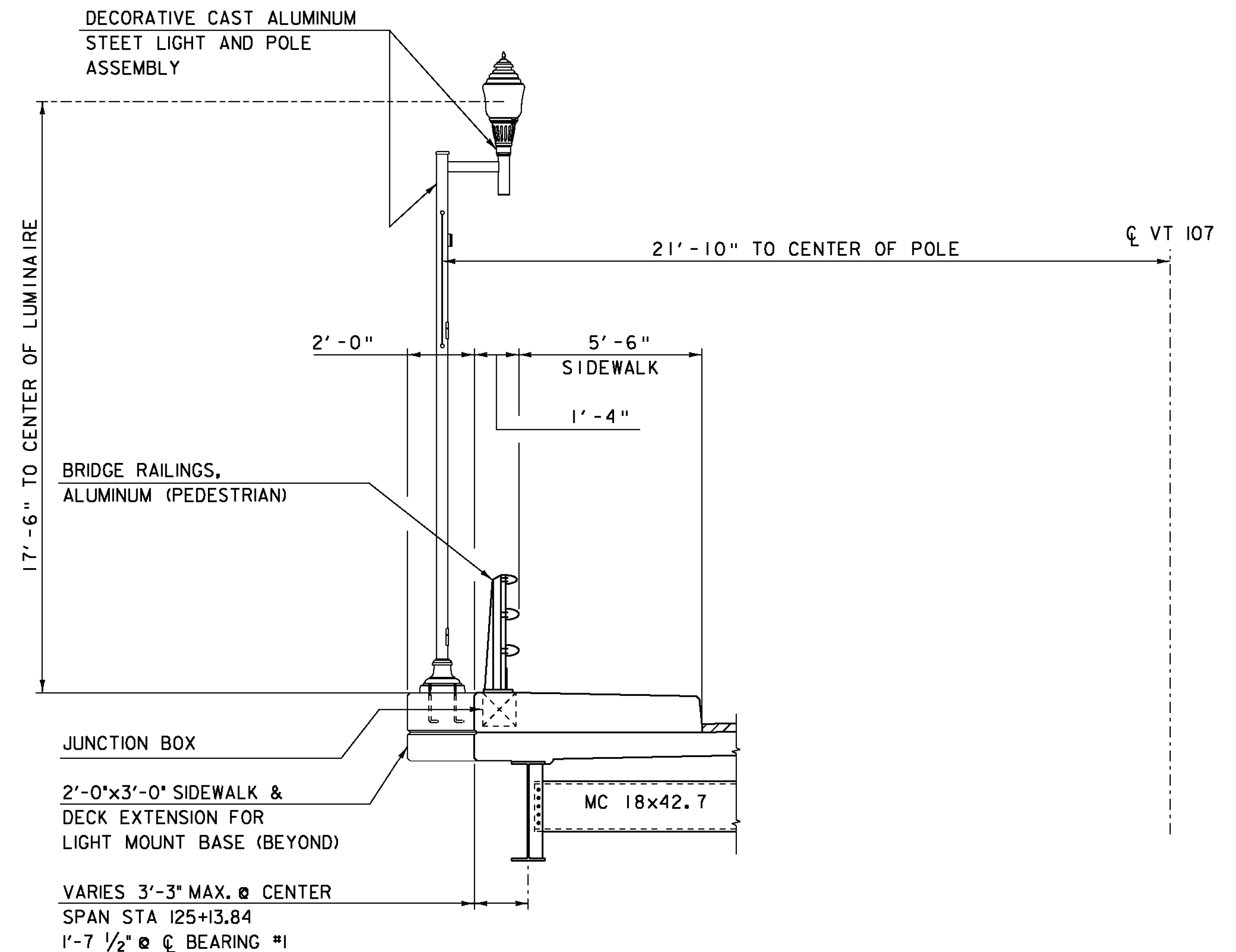
DECK LIGHTPOLE PLAN

SCALE $\frac{3}{8}$ " = 1'-0"



WINGWALL I LIGHTPOLE

SCALE $\frac{3}{8}$ " = 1'-0"



DECK LIGHTPOLE

SCALE $\frac{3}{8}$ " = 1'-0"

PROJECT NAME: BETHEL
PROJECT NUMBER: BRF 022-1(14)

FILE NAME: s78fig111e.dgn
PROJECT LEADER: M. EVANS-MONGEON
DESIGNED BY: S. SCRIBNER
LIGHTPOLE DETAILS I

PLOT DATE: 20-MAY-2011
DRAWN BY: M. LONGSTREET
CHECKED BY: S. SCRIBNER
SHEET 98 OF 148