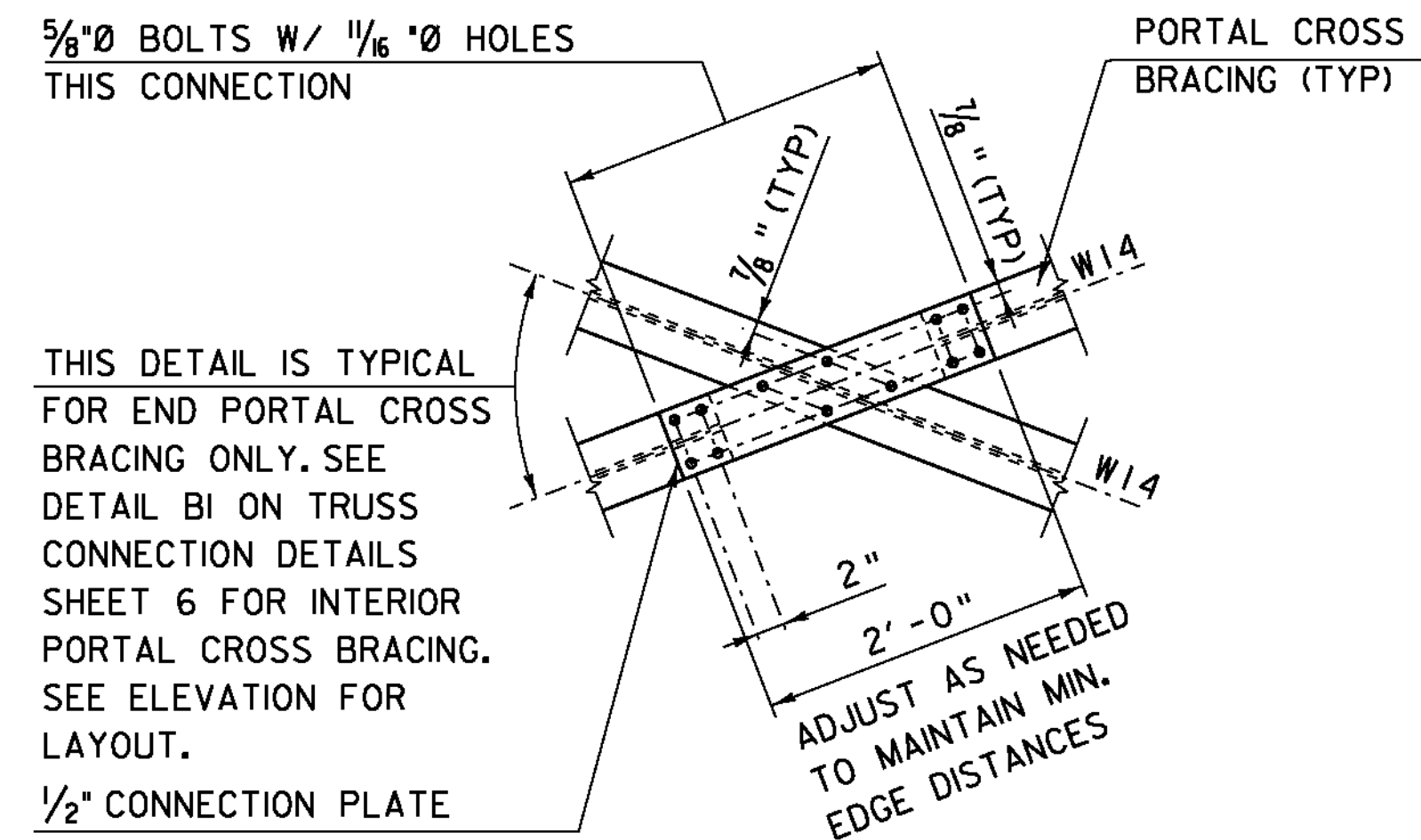


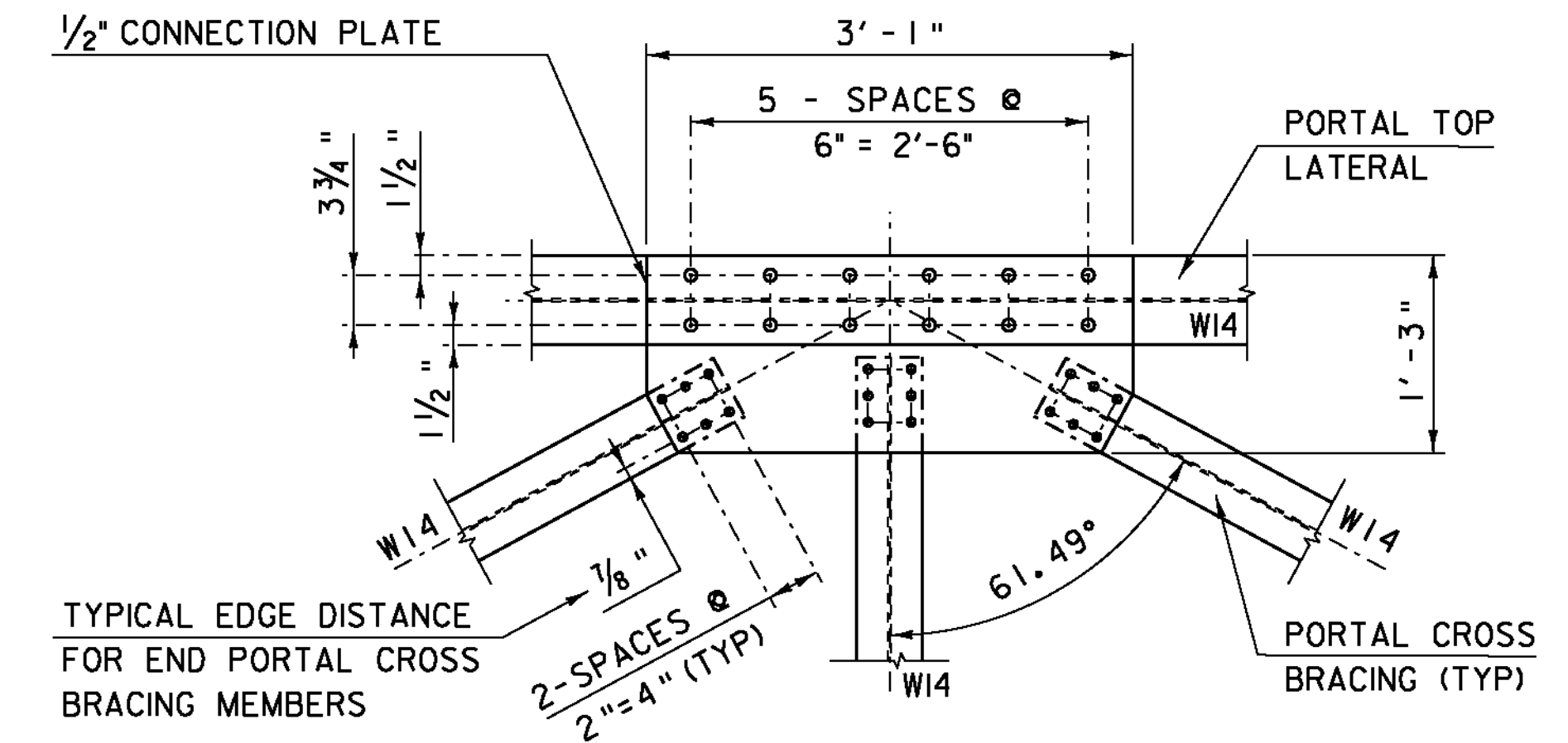
CONNECTION DETAIL "C1"

SCALE 1" = 1'-0"
 W14x22 CONNECTIONS REQUIRE 5/8" BOLTS W/ HEAVY HEX NUT AND WASHER, BOLT HOLES SHALL BE 1/16" Ø.



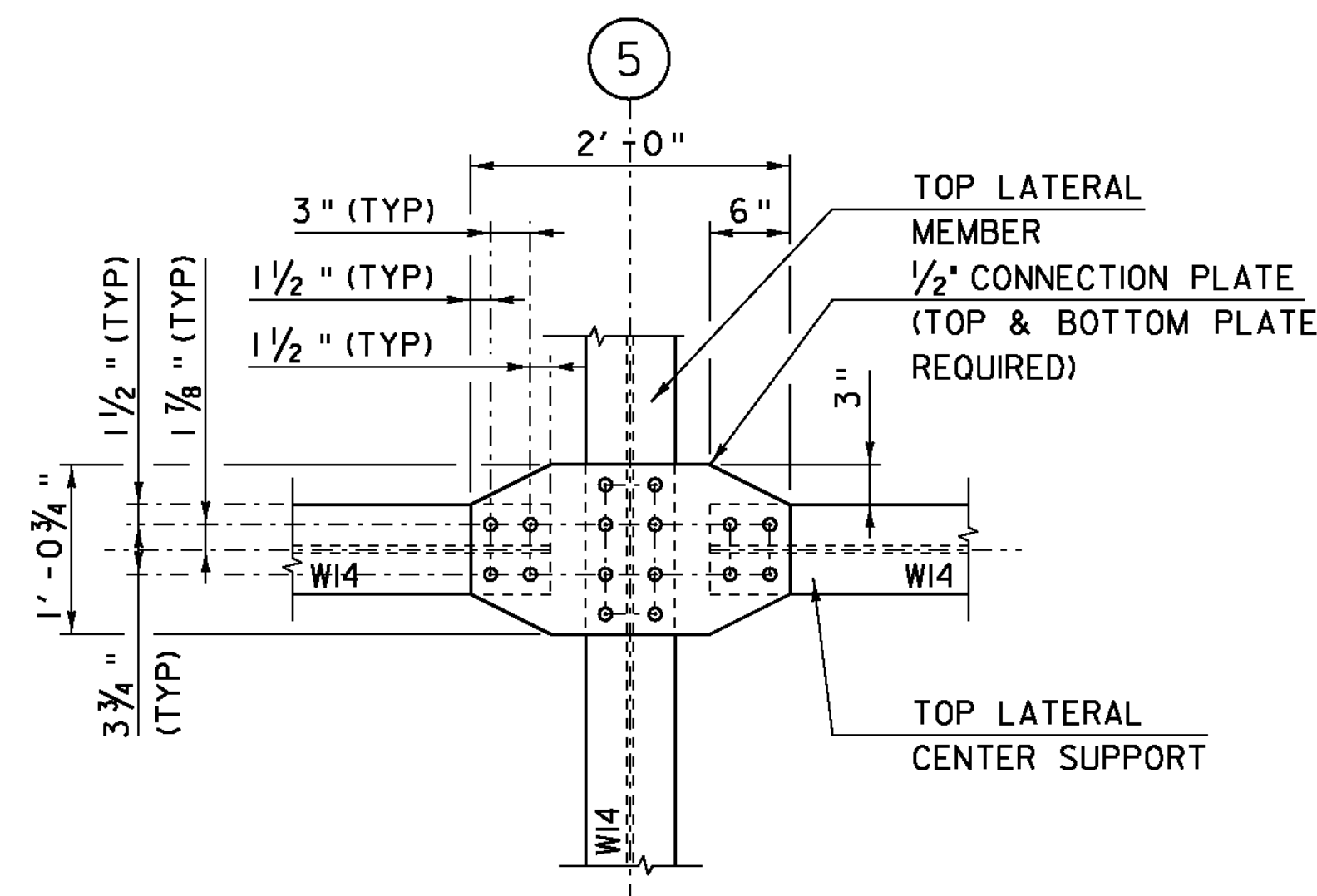
CONNECTION DETAIL "C2"

SCALE 1" = 1'-0"
 W14x22 CONNECTIONS REQUIRE 5/8" BOLTS W/ HEAVY HEX NUT AND WASHER, BOLT HOLES SHALL BE 1/16" Ø.



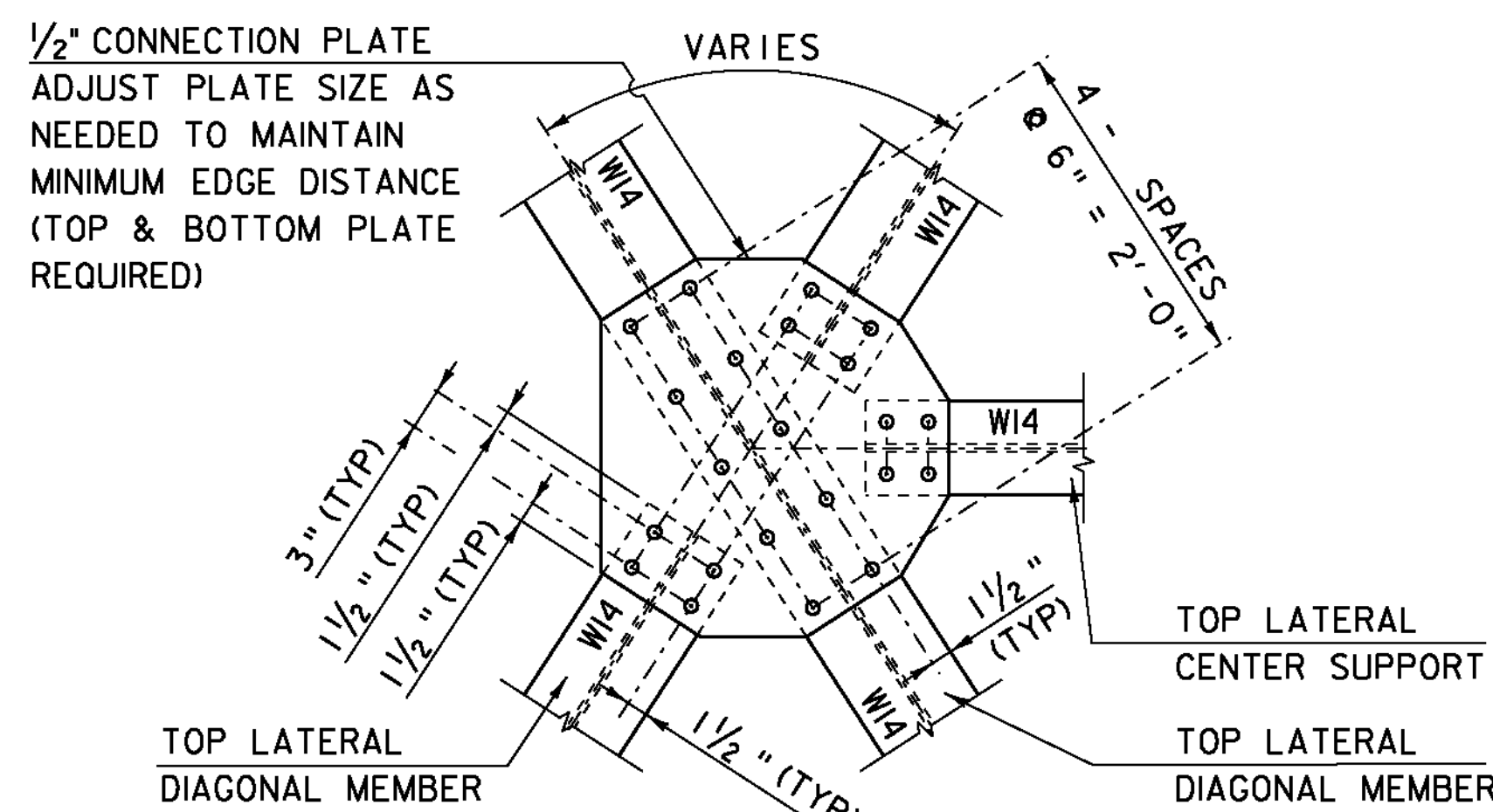
CONNECTION DETAIL "C3"

SCALE 1" = 1'-0"
 W14x22 CONNECTIONS REQUIRE 5/8" BOLTS W/ HEAVY HEX NUT AND WASHER, BOLT HOLES SHALL BE 1/16" Ø.



CONNECTION DETAIL "D1"

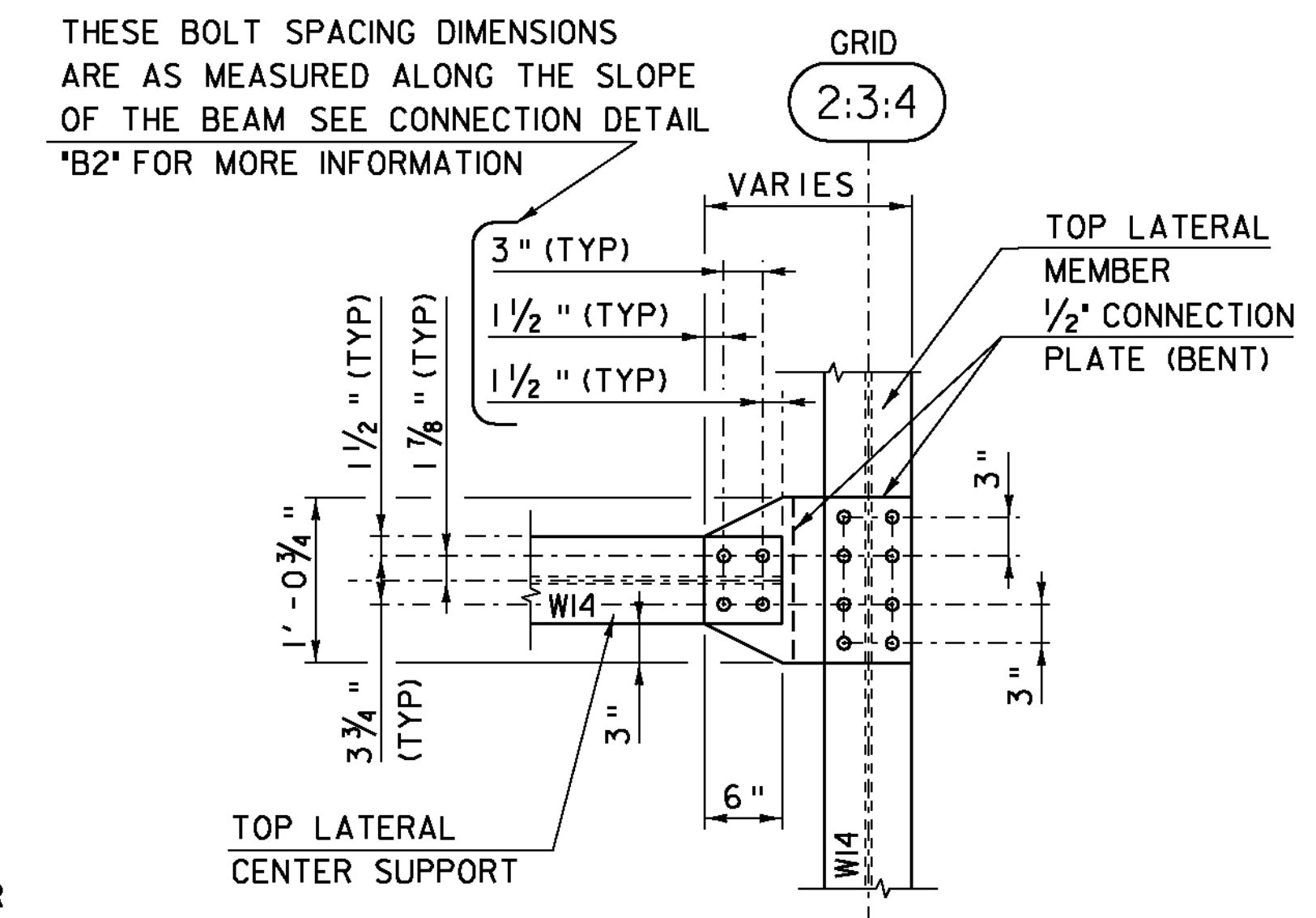
SCALE 1" = 1'-0"



CONNECTION DETAIL "D2"

SCALE 1" = 1'-0"

THIS CONNECTION DETAIL IS TYPICAL AT THE INTERSECTION OF TOP LATERAL DIAGONALS AND THE TOP LATERAL CENTER SUPPORT BEAM. MEMBER ANGLES VARY AS TRUSS TOP CHORD ORIENTATION CHANGES. SEE PLAN AND ELEVATION FOR LAYOUT.



CONNECTION DETAIL "D3"

SCALE 1" = 1'-0"

THIS CONNECTION DETAIL IS TYPICAL AT GRID 2, 3, AND 4. THE CONNECTION PLATE IS BENT TO MATCH THE ANGLE BETWEEN THE TOP CHORD AND THE TOP FLANGE OF THE TOP LATERAL. THE W14 TOP LATERAL CENTER SUPPORT BEAM MAY BE MITERED FOR CLEARANCE AT THE BOTTOM FLANGE.

REFER TO TRUSS CONNECTION DETAIL SHEET 1 FOR "TRUSS CONNECTION & GUSSET PLATE NOTES", "FILLER PLATE NOTES", AND "TRUSS STEEL MATERIAL SPECIFICATION NOTES".

PROJECT NAME:	BETHEL	FILE NAME:	s78f161truss.dgn	PLOT DATE:	20-MAY-2011
PROJECT NUMBER:	BRF 022-1(14)	PROJECT LEADER:	M. EVANS-MONGEON	DRAWN BY:	M. LONGSTREET
		DESIGNED BY:	N. VANDENBERG	CHECKED BY:	S. SCRIBNER
		TRUSS CONNECTION DETAIL SHEET 7		SHEET	96 OF 148