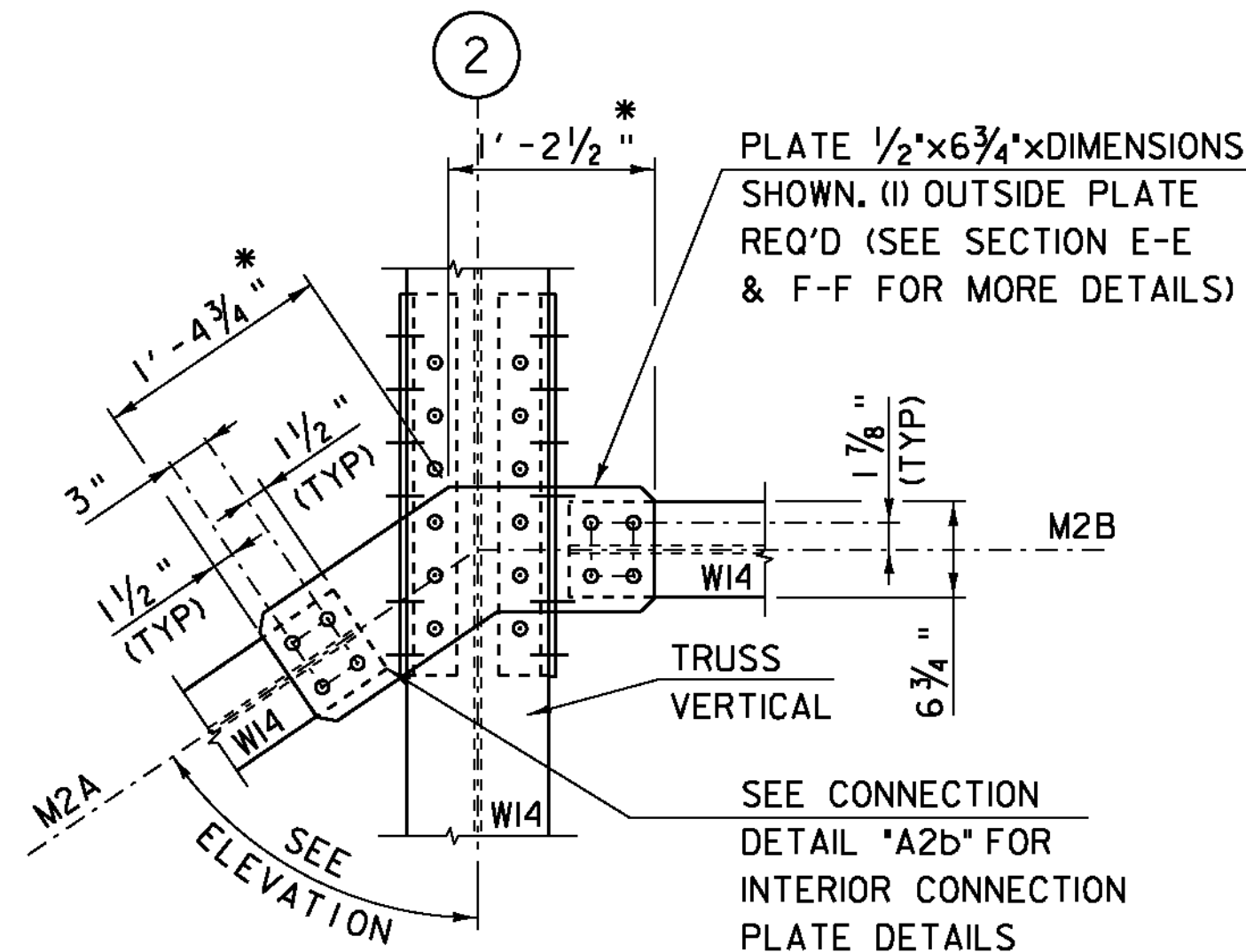


CONNECTION DETAIL "A1"

SCALE 1" = 1'-0"

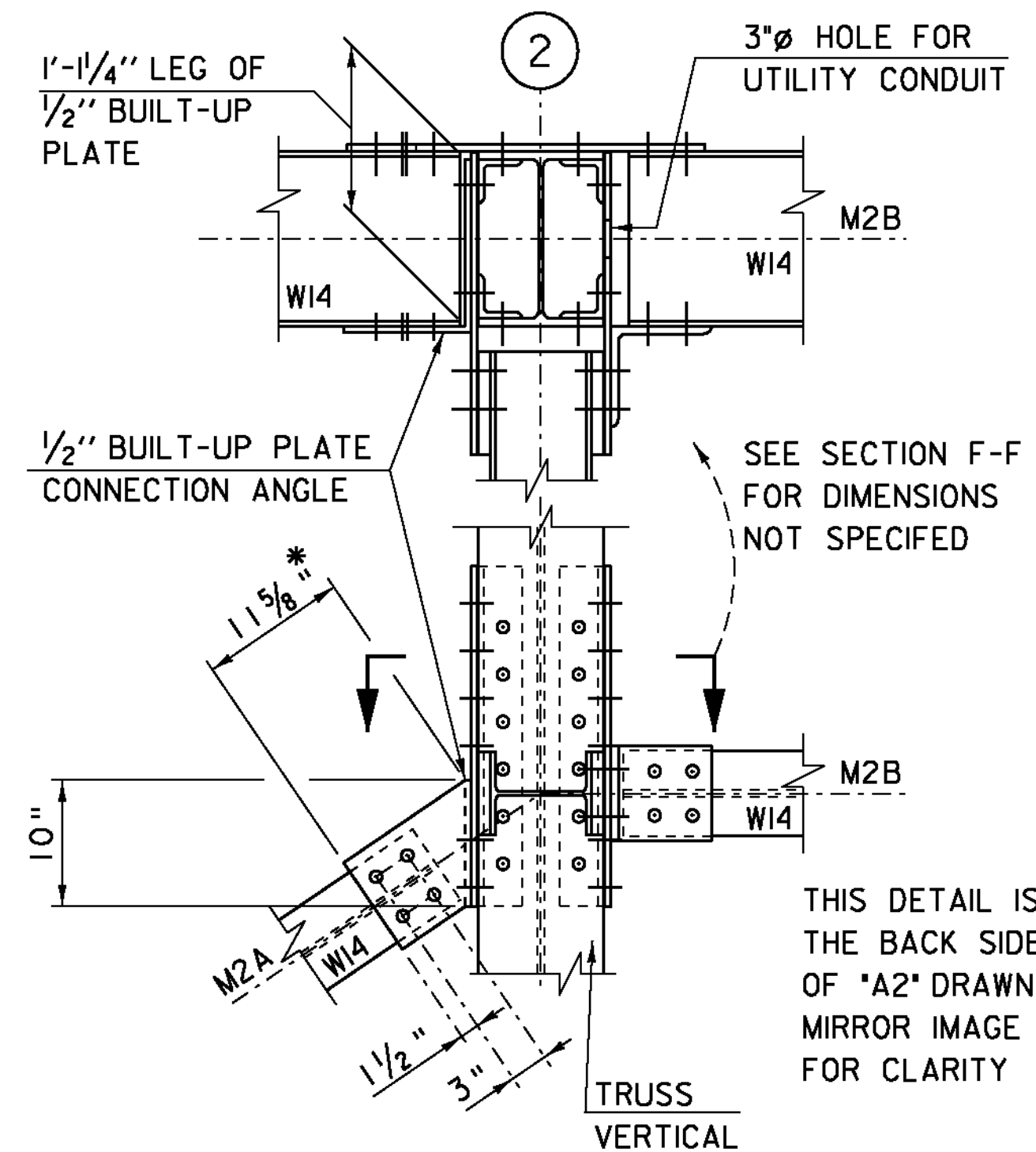
* PLATE DIMENSIONS SHOWN MAY BE ADJUSTED BY FABRICATOR TO ACHIEVE PROPER FIT AND CLEARANCE AS REQUIRED.



CONNECTION DETAIL "A2"

SCALE 1" = 1'-0"

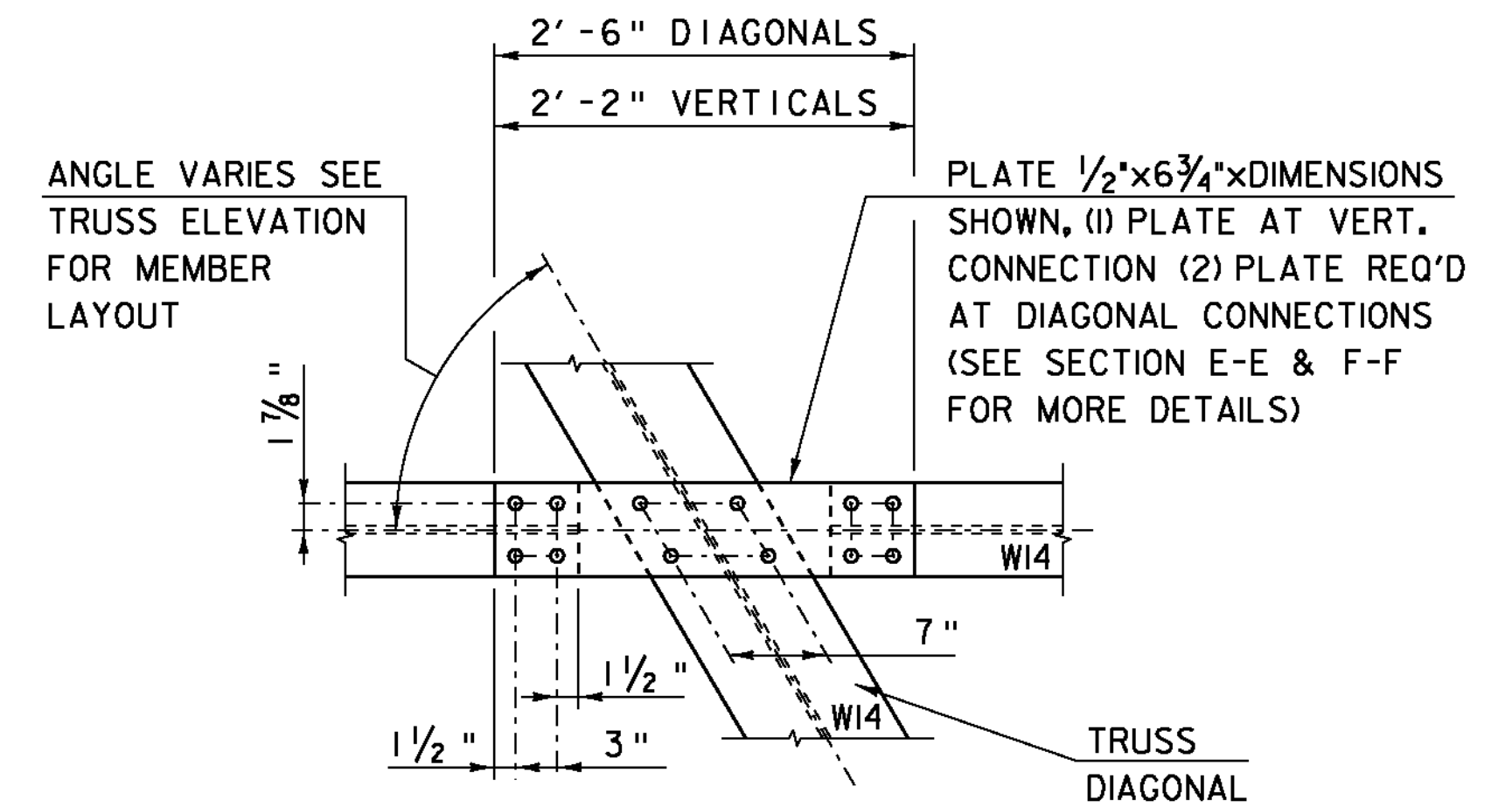
* PLATE DIMENSIONS SHOWN MAY BE ADJUSTED BY FABRICATOR TO ACHIEVE PROPER FIT AND CLEARANCE AS REQUIRED.



CONNECTION DETAIL "A2b"

SCALE 1" = 1'-0"

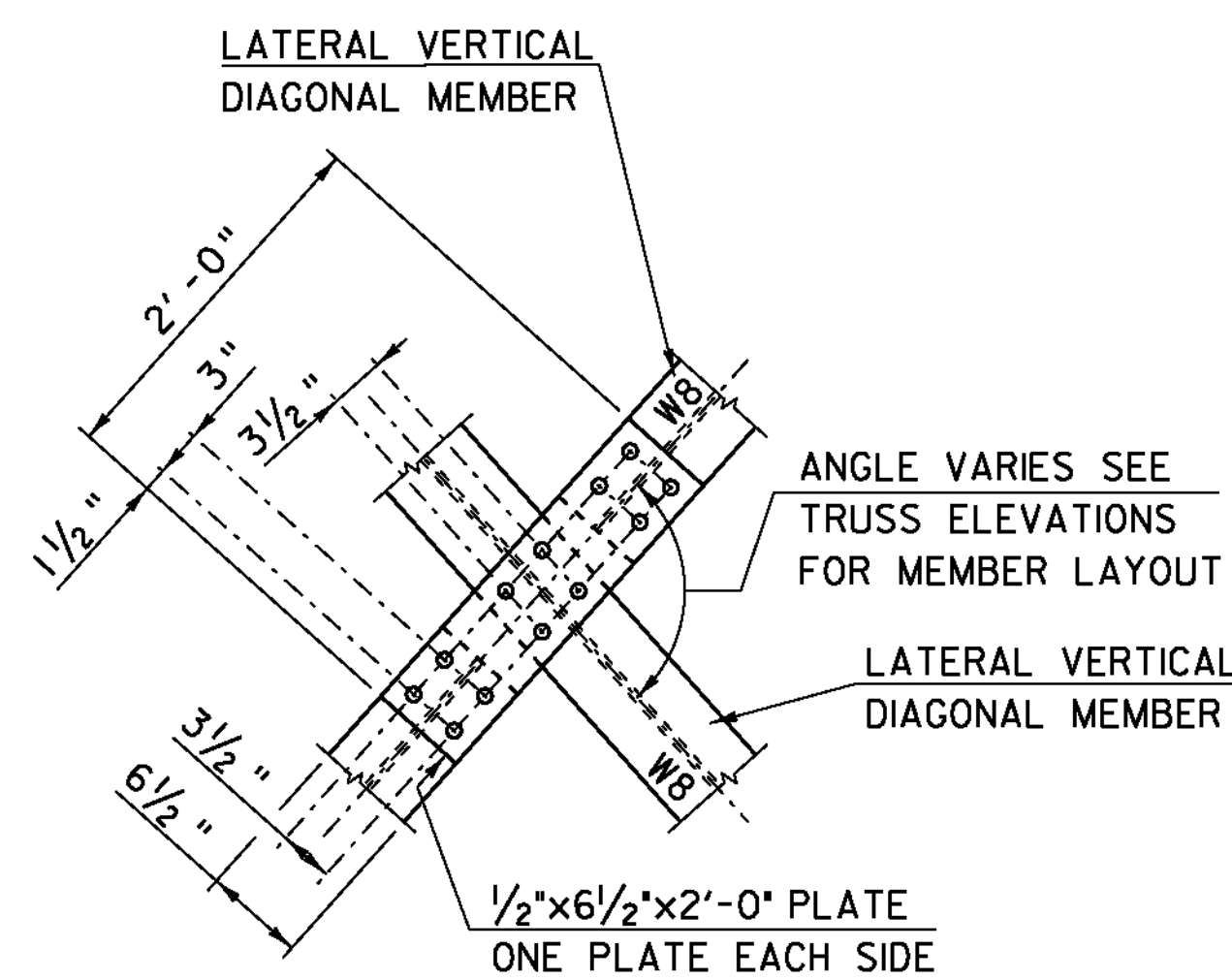
* PLATE DIMENSIONS SHOWN MAY BE ADJUSTED BY FABRICATOR TO ACHIEVE PROPER FIT AND CLEARANCE AS REQUIRED.



CONNECTION DETAIL "A3"

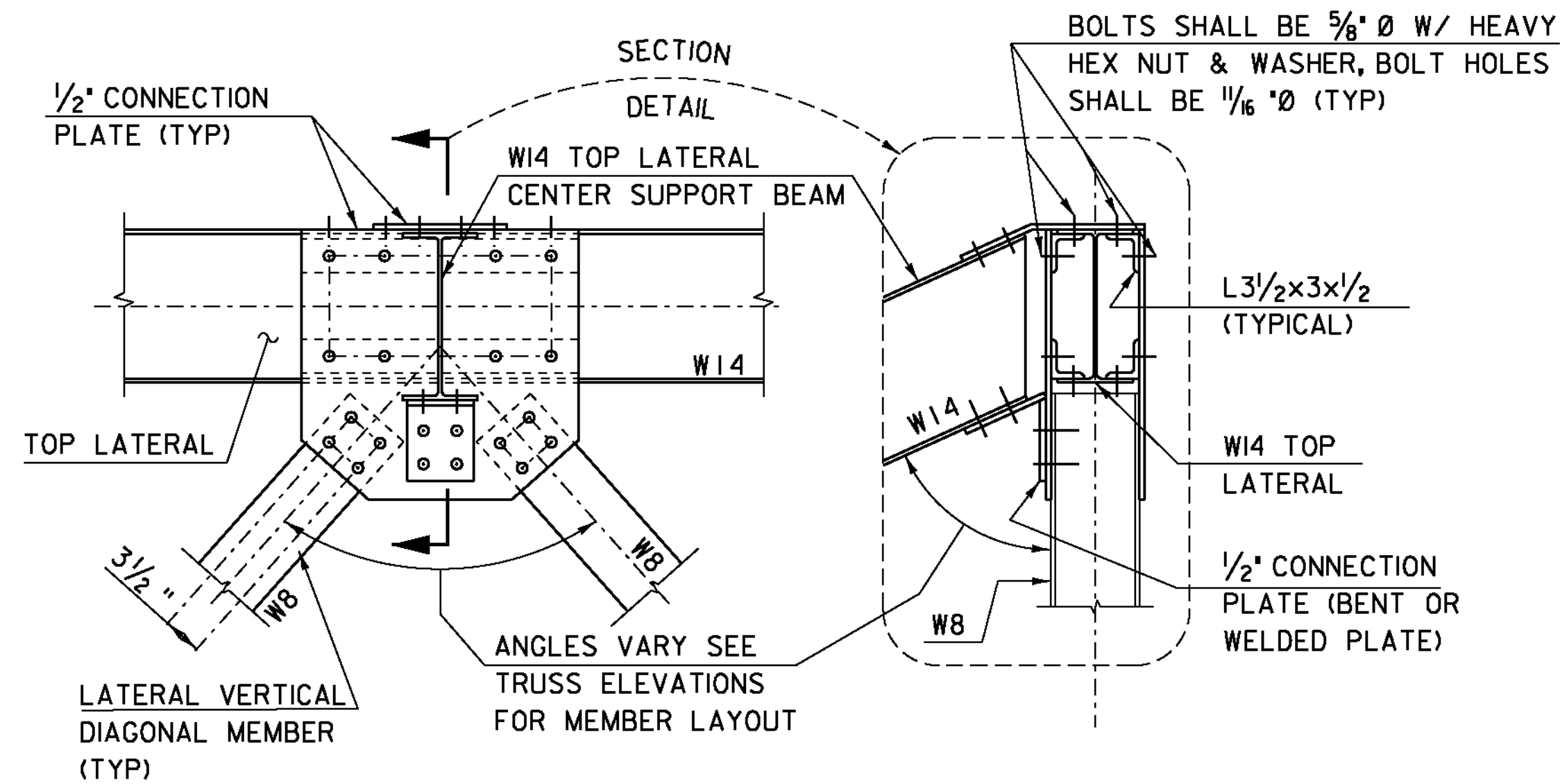
SCALE 1" = 1'-0"

THIS CONNECTION DETAIL IS SIMILAR FOR THE MIDDLE MEMBERS CONNECTION TO THE TRUSS VERTICAL AND THE TRUSS DIAGONAL MEMBERS. (DIAGONAL MEMBER CONNECTION SHOWN IN THE DETAIL)



CONNECTION DETAIL "B1"

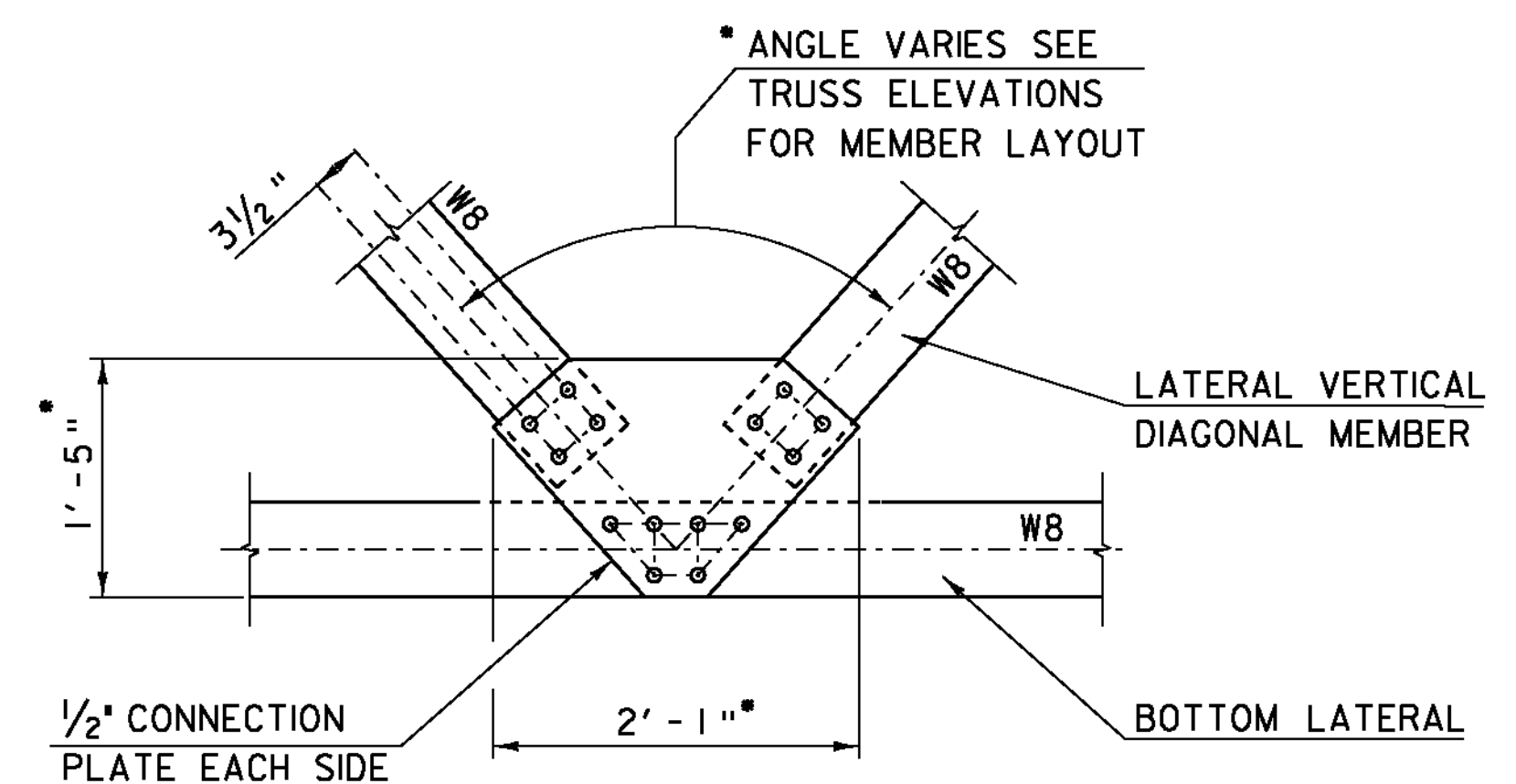
SCALE 1" = 1'-0"



CONNECTION DETAIL "B2"

SCALE 1" = 1'-0"

THIS CONNECTION DETAIL IS TYPICAL AT GRID 2,3, AND 4. THE CONNECTION PLATE IS BENT TO MATCH THE ANGLE BETWEEN THE TOP CHORD AND THE TOP FLANGE OF THE TOP LATERAL. THE W14 TOP LATERAL CENTER SUPPORT BEAM MAY BE MITERED FOR CLEARANCE AT THE BOTTOM FLANGE AS SHOWN IN THE SECTION DETAIL.



CONNECTION DETAIL "B3"

SCALE 1" = 1'-0"

* PLATE DIMENSIONS SHOWN MAY BE ADJUSTED BY FABRICATOR TO ACHIEVE PROPER FIT AND CLEARANCE AS REQUIRED.

REFER TO TRUSS CONNECTION DETAIL SHEET 1 FOR "TRUSS CONNECTION & GUSSET PLATE NOTES", "FILLER PLATE NOTES", AND "TRUSS STEEL MATERIAL SPECIFICATION NOTES".

PROJECT NAME:	BETHEL	PLOT DATE:	20-MAY-2011
PROJECT NUMBER:	BRF 022-1(14)	PROJECT LEADER:	M. EVANS-MONGEON
FILE NAME:	s78f161truss.dgn	DESIGNED BY:	N. VANDENBERG
		TRUSS CONNECTION DETAIL SHEET 6	CHECKED BY: S. SCRIBNER
			SHEET 95 OF 148