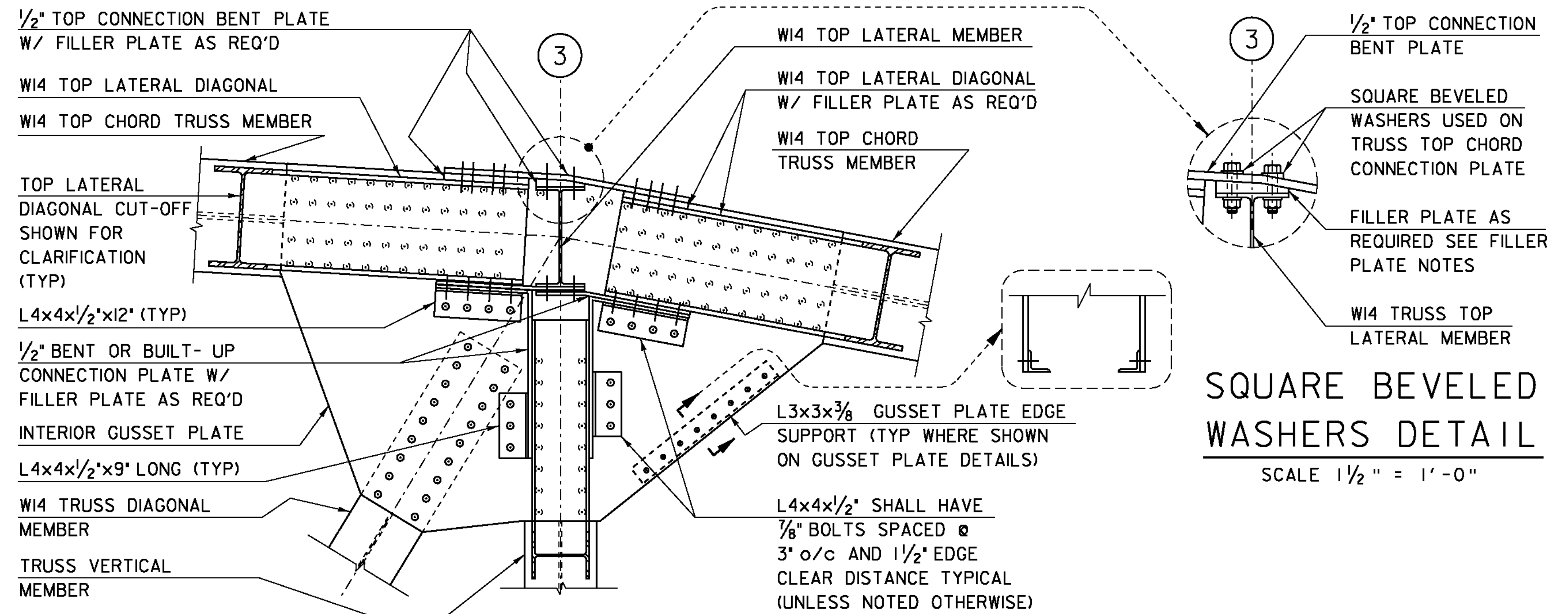


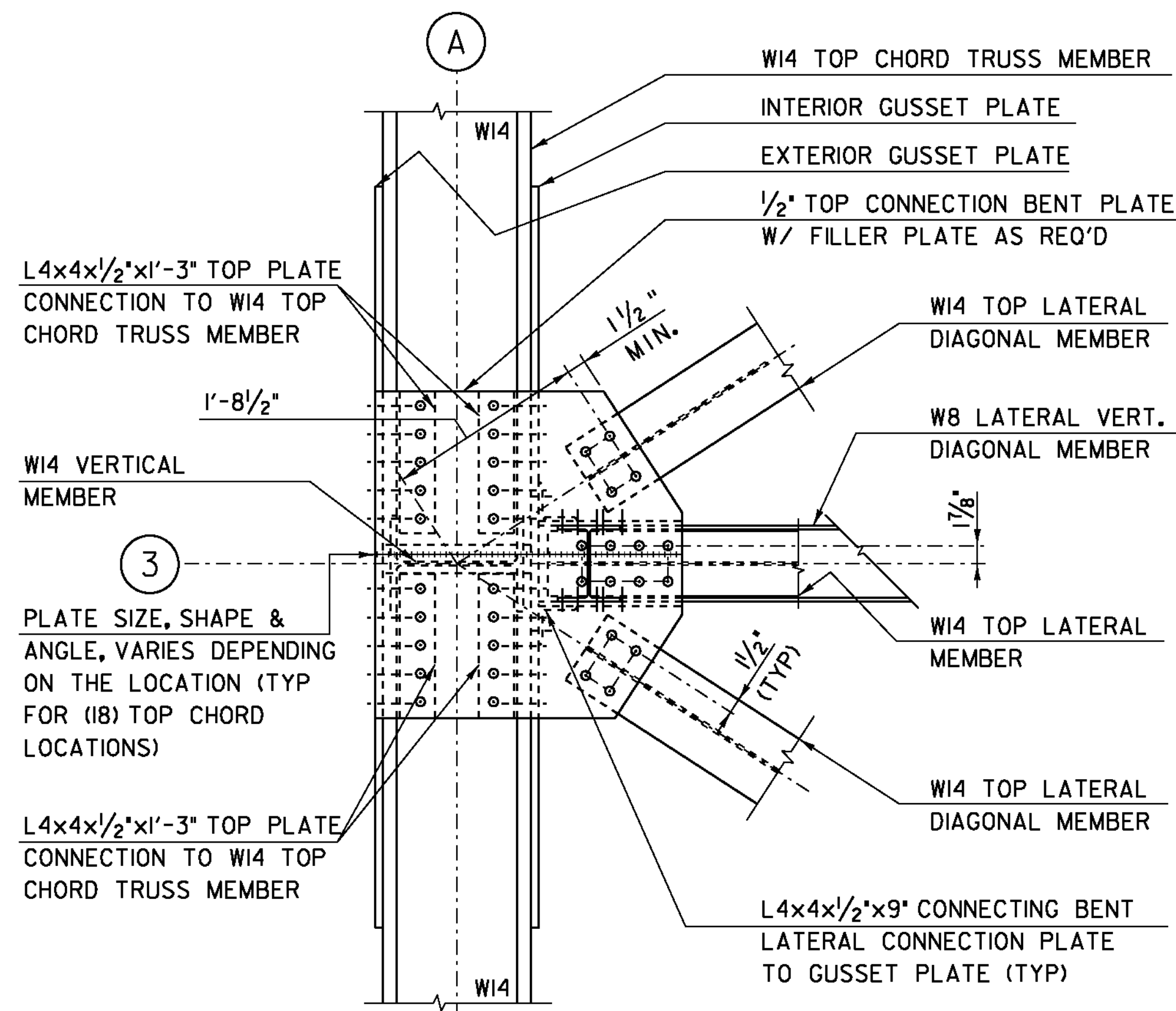
SECTION G-G TYPICAL TOP  
PANEL POINT CONNECTION

SCALE 1" = 1'-0"



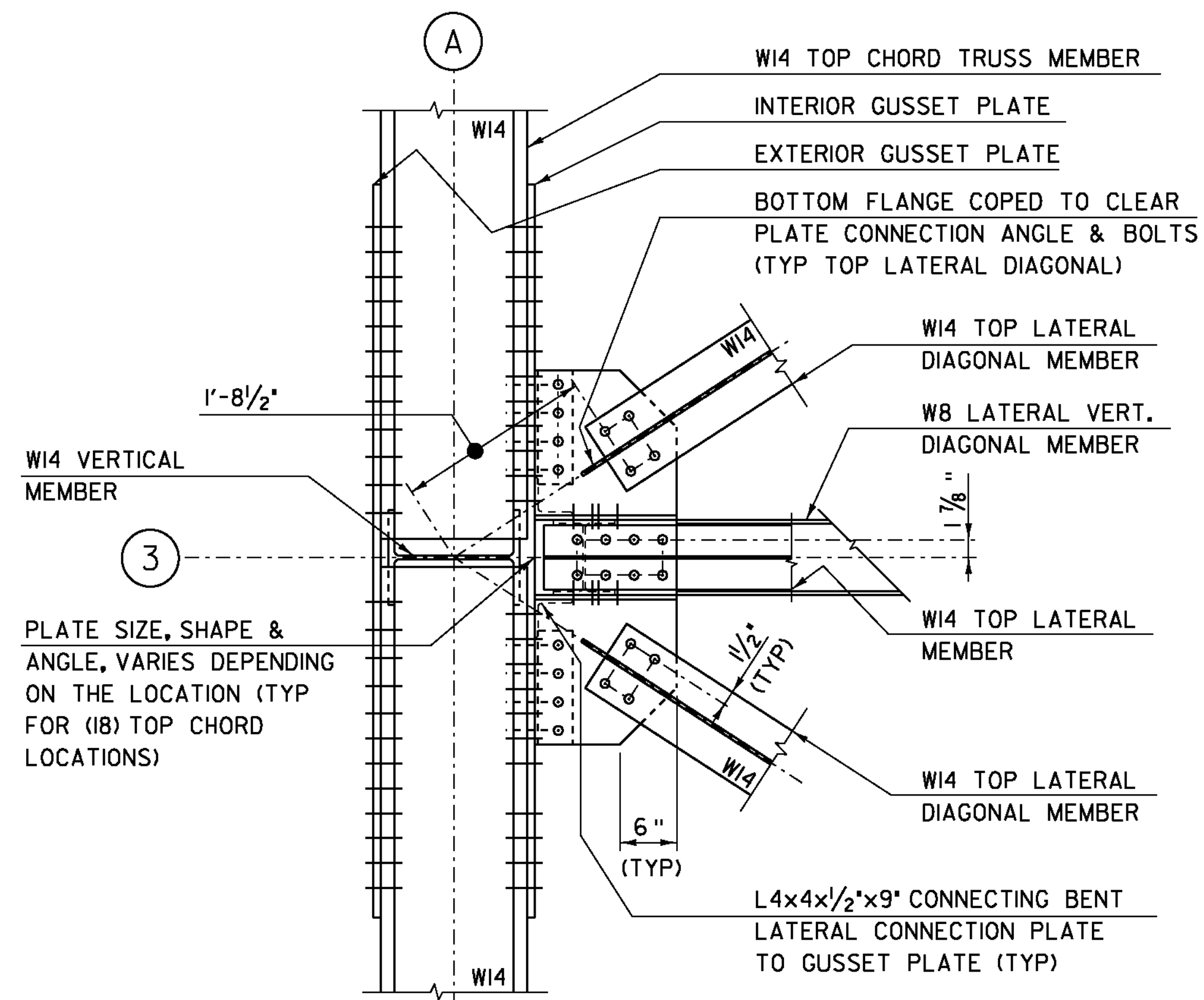
SECTION H-H TYPICAL TOP  
PANEL POINT CONNECTION

SCALE 1" = 1'-0"



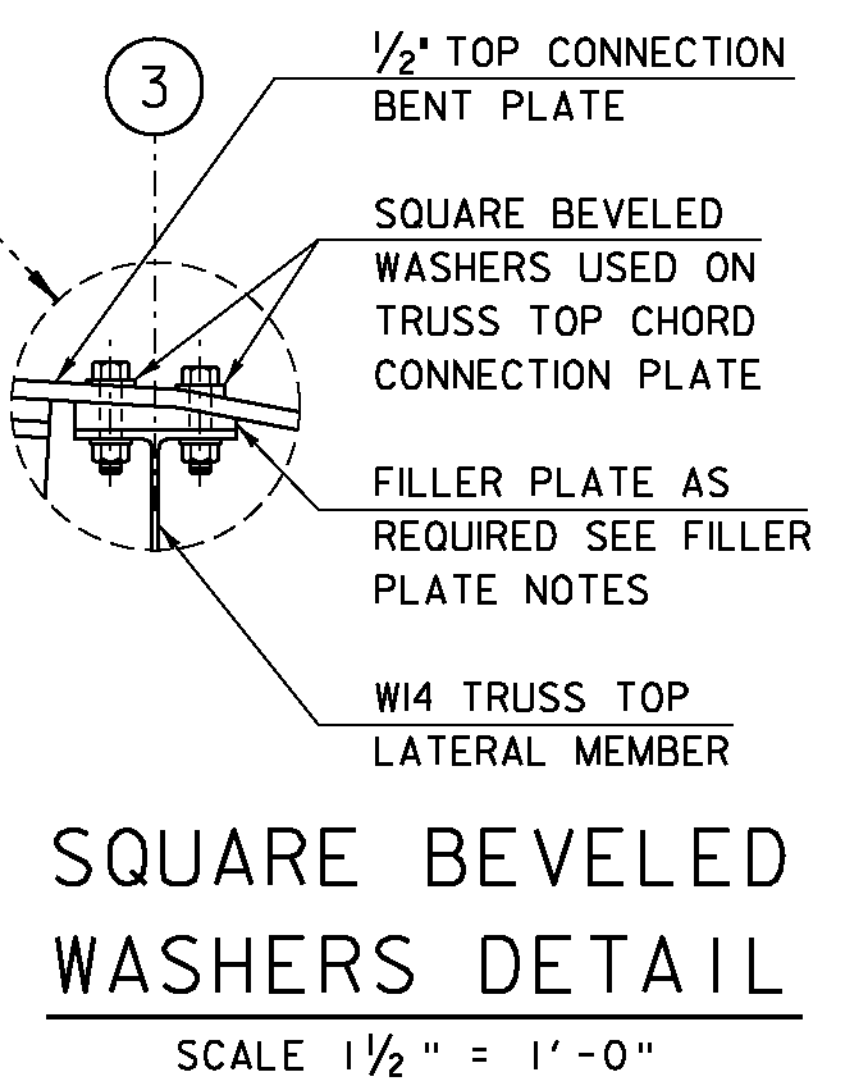
SECTION J-J TYPICAL TOP  
PANEL POINT CONNECTION

SCALE 1" = 1'-0"



SECTION K-K TYPICAL TOP  
PANEL POINT CONNECTION

SCALE 1" = 1'-0"



SQUARE BEVELED  
WASHERS DETAIL

SCALE 1/2" = 1'-0"

REFER TO TRUSS CONNECTION DETAIL SHEET 1  
FOR "TRUSS CONNECTION & GUSSET PLATE NOTES",  
"FILLER PLATE NOTES", AND "TRUSS STEEL  
MATERIAL SPECIFICATION NOTES".

PROJECT NAME: BETHEL  
PROJECT NUMBER: BRF 022-1(14)

FILE NAME: s78f6itruss.dgn  
PROJECT LEADER: M. EVANS-MONGEON  
DESIGNED BY: N. VANDENBERG  
TRUSS CONNECTION DETAIL SHEET 5

PLOT DATE: 20-MAY-2011  
DRAWN BY: M. LONGSTREET  
CHECKED BY: S. SCRIBNER  
SHEET 94 OF 148