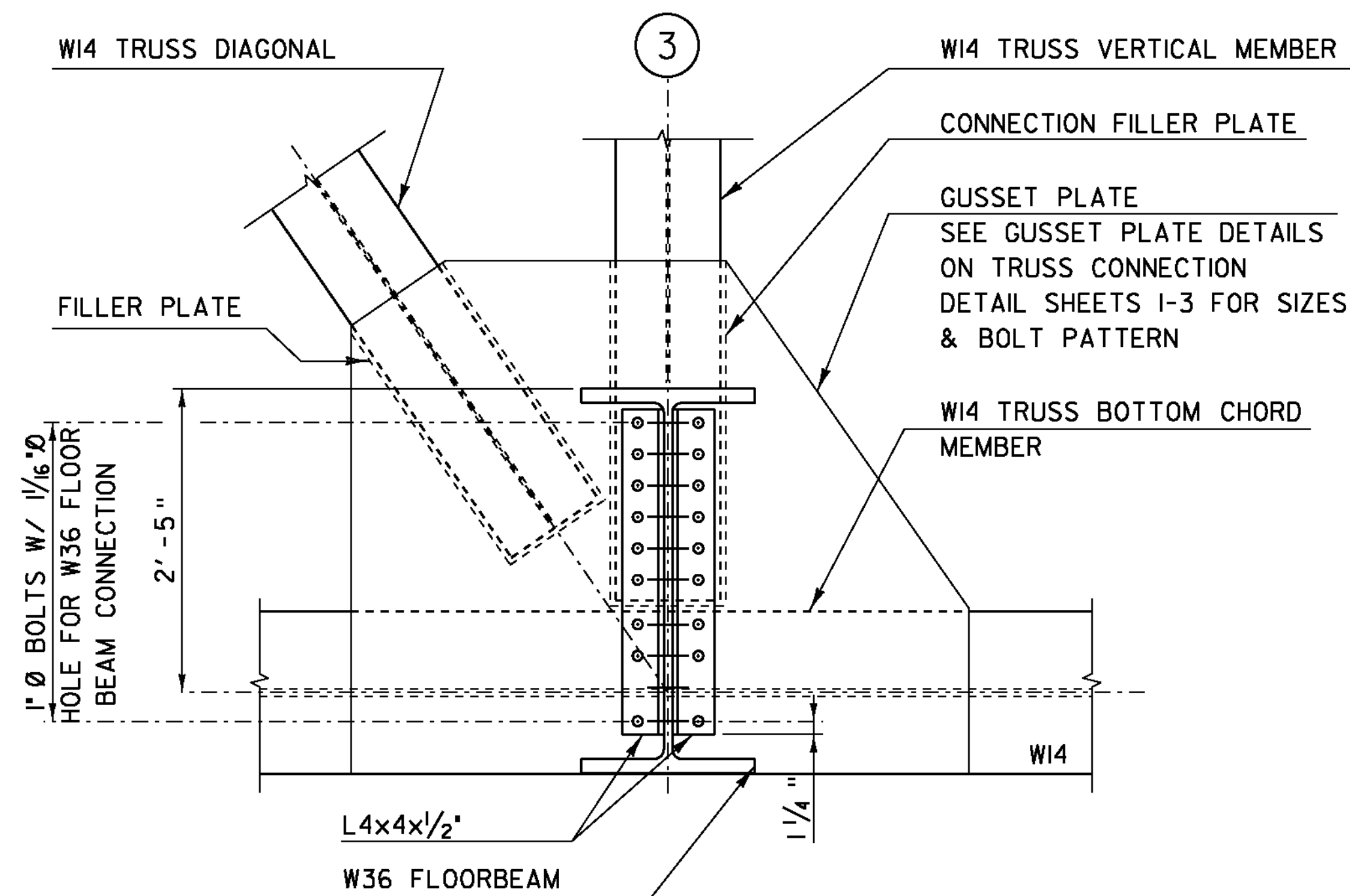


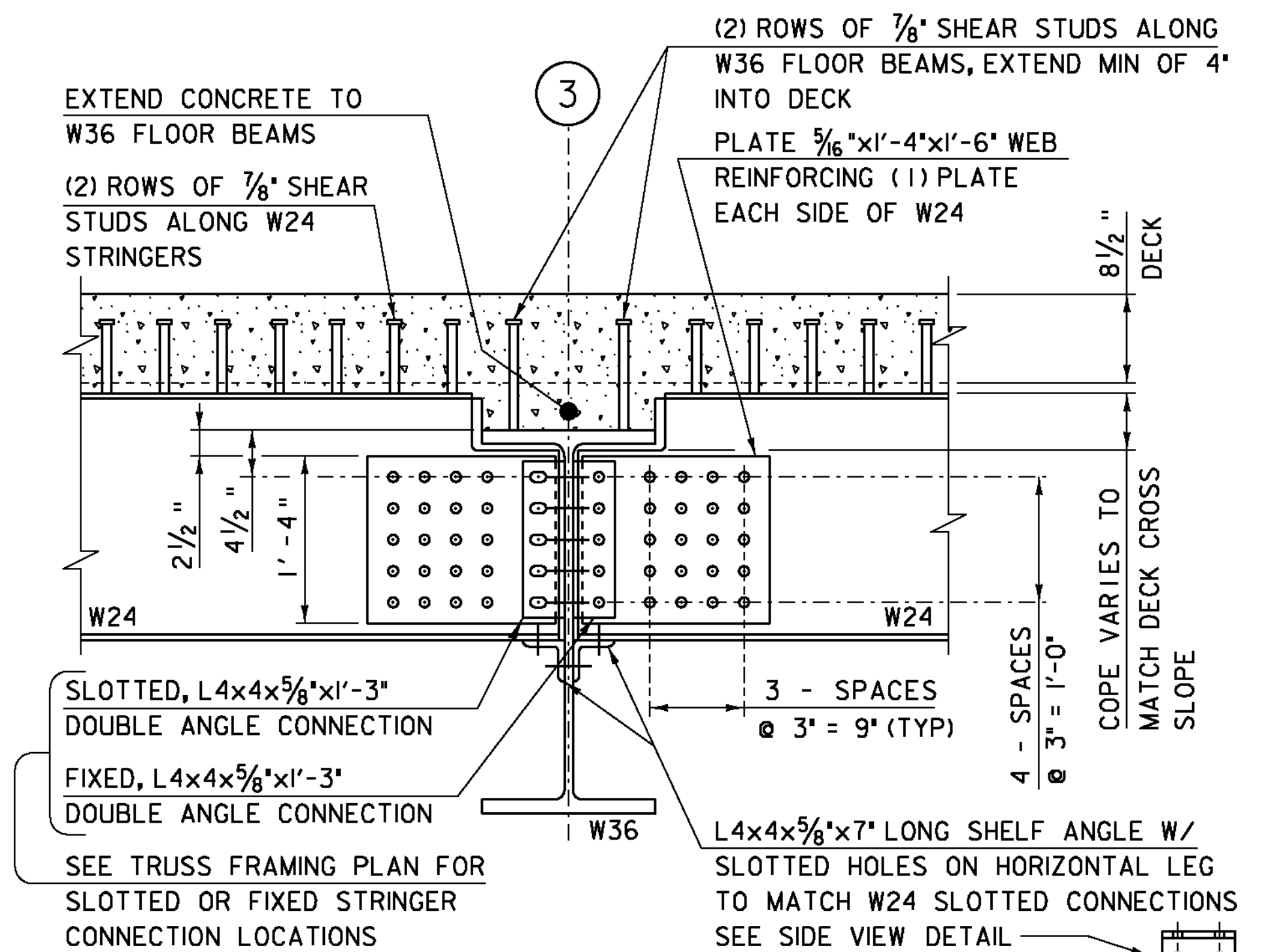
SECTION A-A TYPICAL W36 FLOORBEAM CONNECTION

SCALE 1" = 1'-0"



SECTION B-B TYPICAL W36 FLOORBEAM CONNECTION

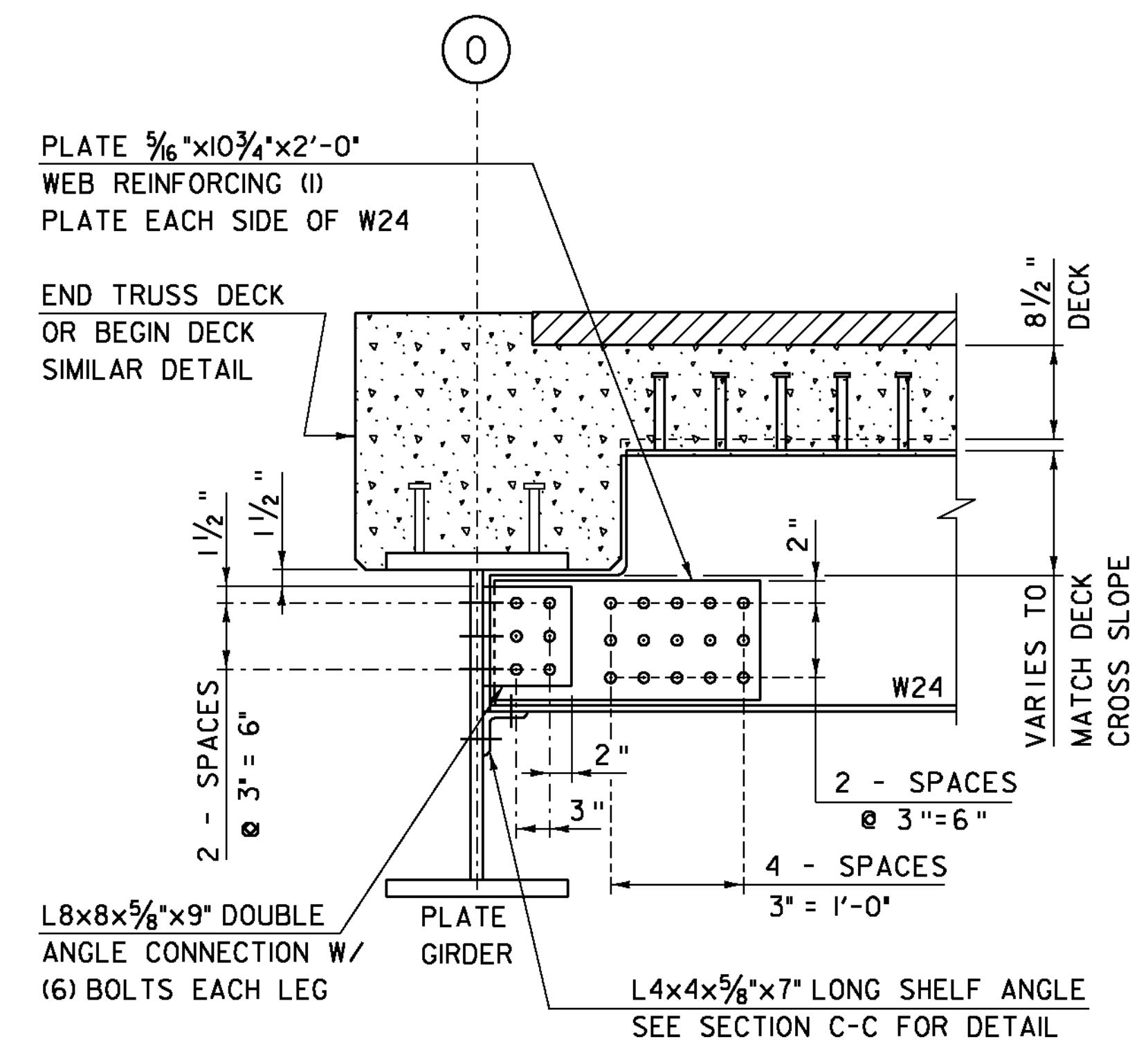
SCALE 1" = 1'-0"



SECTION C-C TYPICAL W24 STRINGER CONNECTION

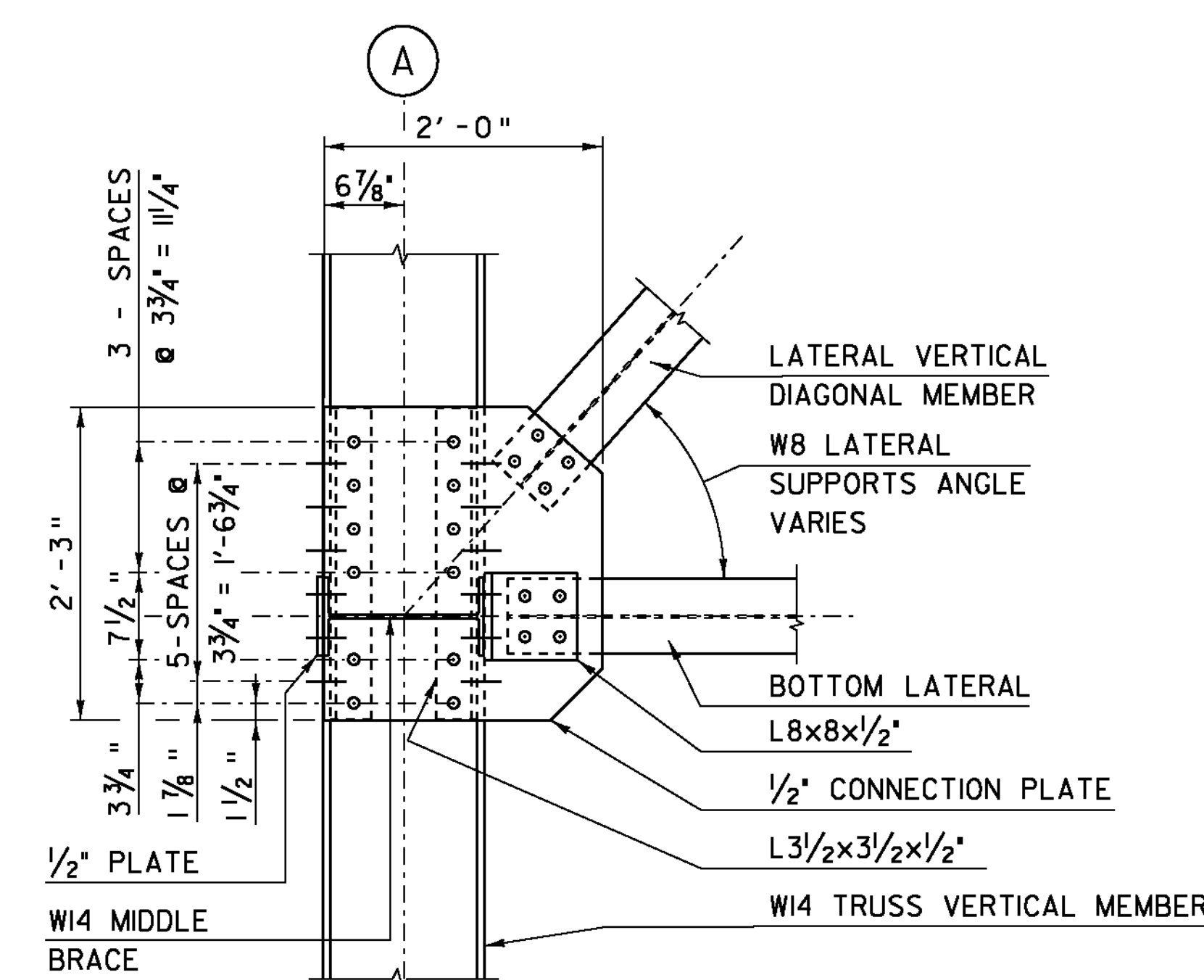
SCALE 1" = 1'-0"

THIS CONNECTION DETAIL IS TYPICAL AT ALL INTERIOR STRINGER TO W36 FLOORBEAM CONNECTIONS. EXTERIOR STRINGERS CONNECTING TO W36 FLOORBEAM WILL NOT REQUIRE WEB REINFORCING PLATES. SEE TRUSS FRAMING PLAN FOR INTERIOR STRINGER LOCATIONS.



SECTION D-D PLATE GIRDER TO W24 STRINGER CONNECTION

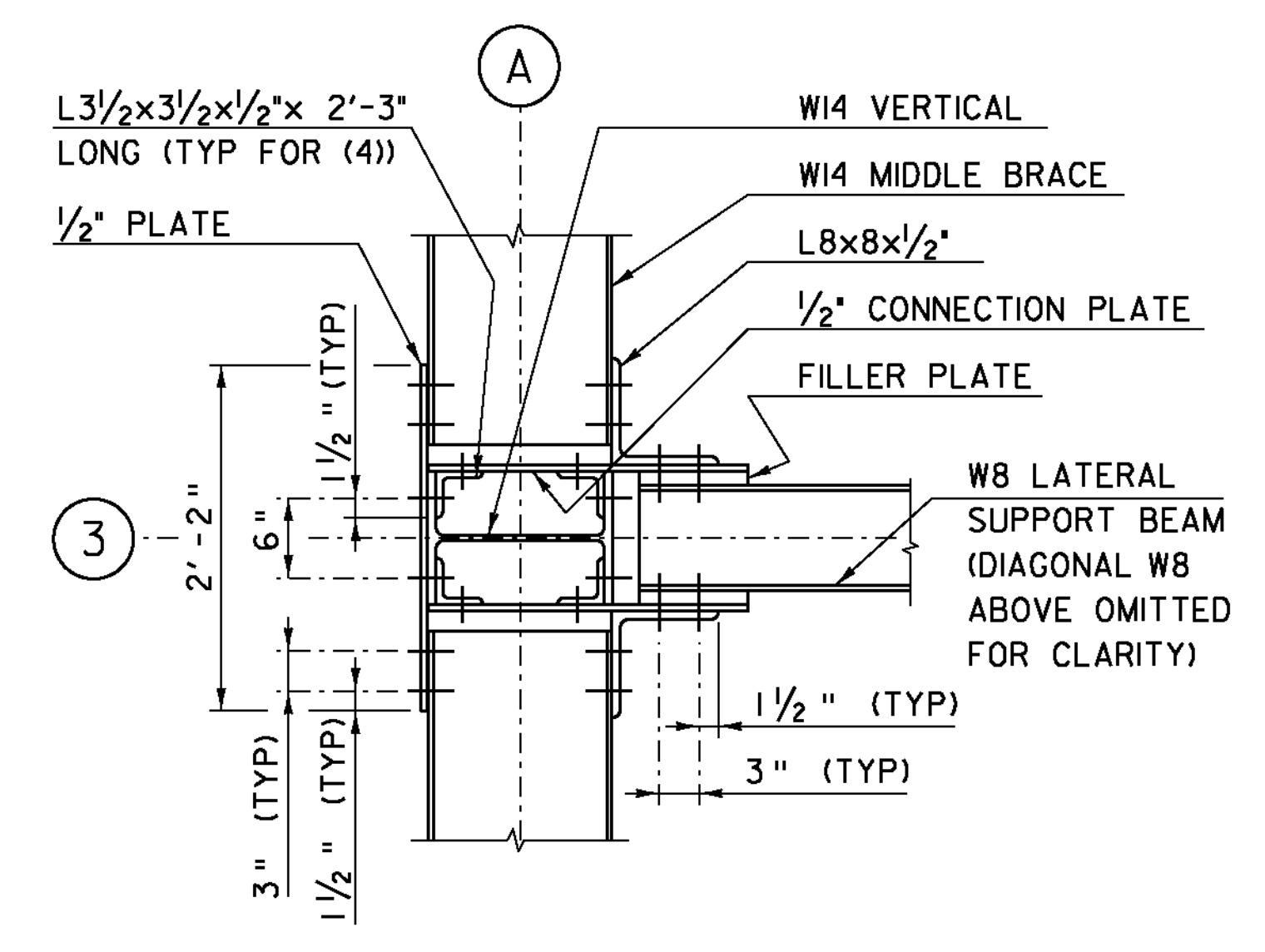
SCALE 1" = 1'-0"



SECTION E-E TYPICAL INTERMEDIATE SUPPORT

SCALE 1" = 1'-0"

REFER TO TRUSS CONNECTION DETAIL SHEET 1 FOR "TRUSS CONNECTION & GUSSET PLATE NOTES", "FILLER PLATE NOTES", AND "TRUSS STEEL MATERIAL SPECIFICATION NOTES".



SECTION F-F TYPICAL INTERMEDIATE SUPPORT

SCALE 1" = 1'-0"

PROJECT NAME:	BETHEL	FILE NAME:	s78f161truss.dgn	PLOT DATE:	20-MAY-2011
PROJECT NUMBER:	BRF 022-1(14)	PROJECT LEADER:	M. EVANS-MONGEON	DRAWN BY:	M. LONGSTREET
		DESIGNED BY:	N. VANDENBERG	CHECKED BY:	S. SCRIBNER
		TRUSS CONNECTION DETAIL SHEET 4		SHEET	93 OF 148