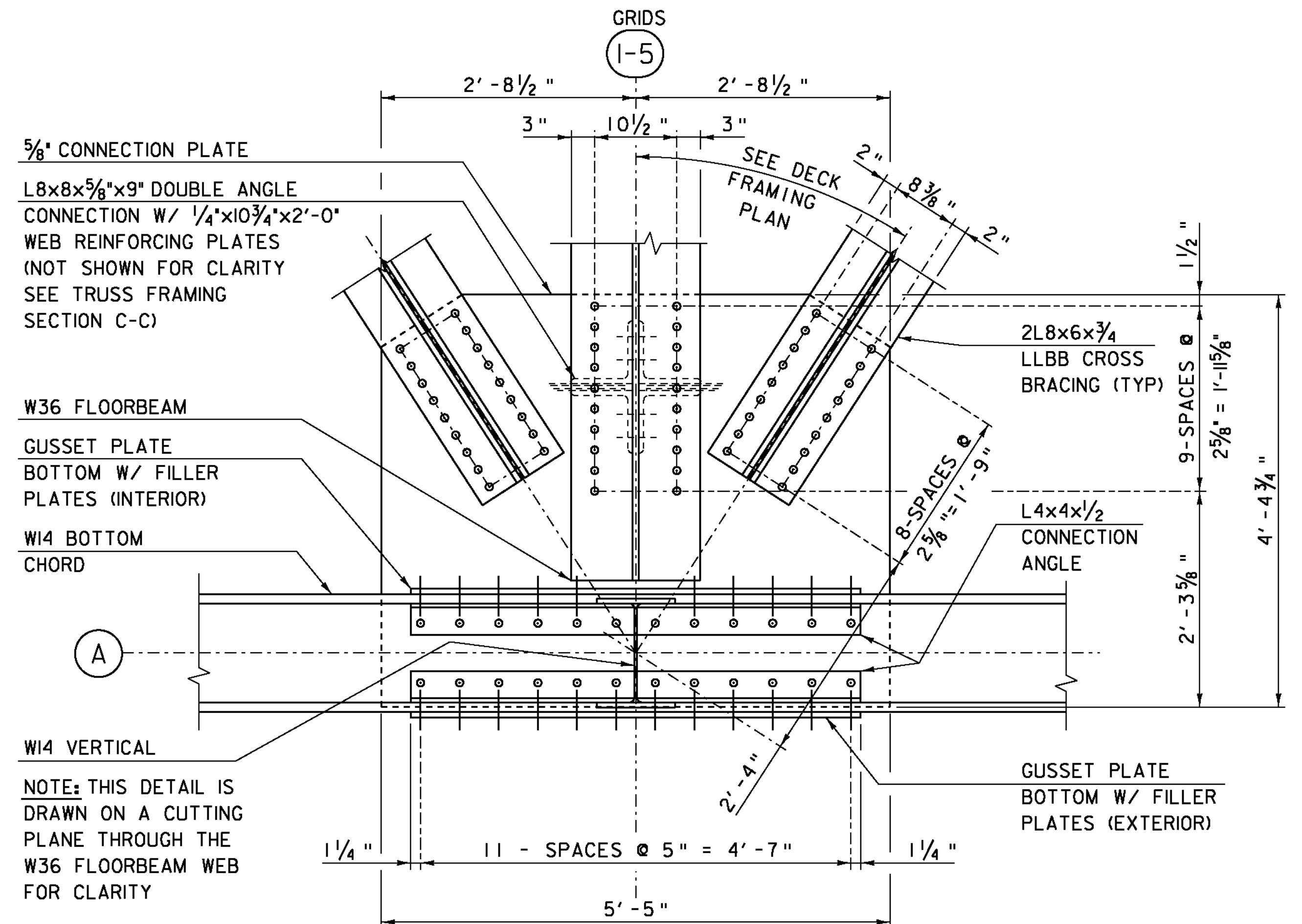
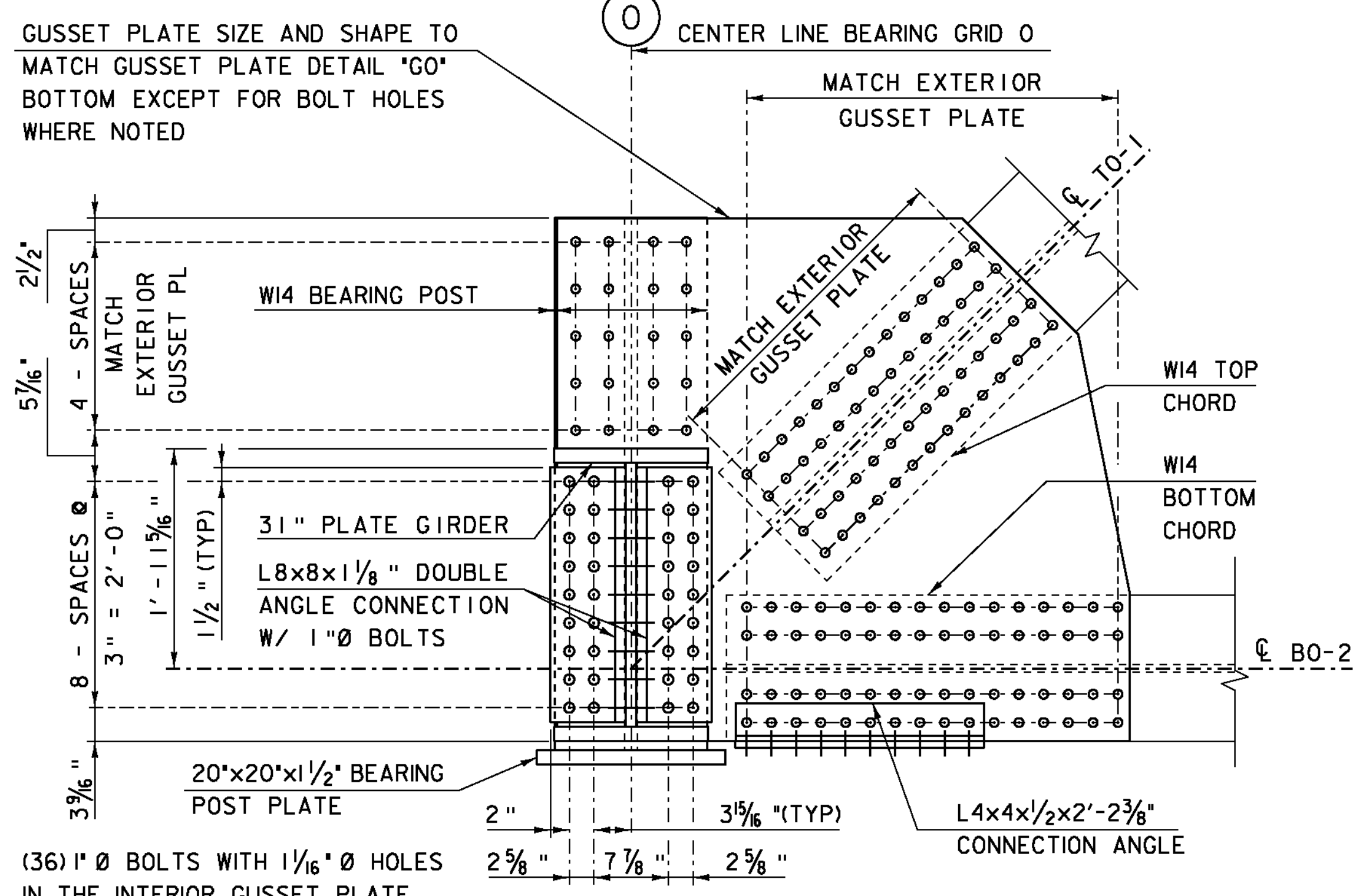


**TRUSS FRAMING DETAIL "3"**  
SCALE 1" = 1'-0"



**TRUSS FRAMING DETAIL "4"**  
SCALE 1" = 1'-0"  
THIS DETAIL SIMILAR FOR CONNECTIONS AT GRID 1 THRU GRID 5.



**SECTION M-M  
PLATE GIRDER CONNECTION**  
SCALE 1" = 1'-0"

Member Type	Member Designation	Tension / Compression	Unfactored Dead Loads	Controlling SERVICE Limit State Loads		Controlling STRENGTH Limit State Loads		FATIGUE Limit State Loads	
				Live Load Impact Factor	Factored Load	Live Load Impact Factor	Factored Load	Live Load Impact Factor	Factored Load
Bottom Chord	B0-2, B2-4, B4-4', B2'-4', B0'-2'	T	517 K	1.33	733 K	1.33	949 K	1.15	76 K
		C	-	-	-	-	-	-	-
Top Chord	T0-1, T0'-1'	T	-	-	-	-	-	-	-
		C	850 K	1.33	1183 K	1.33	1530 K	1.15	120 K
Top Chord	T1-2, T2-3, T3-4, T4-5, T4'-5', T3'-4', T2'-3', T1'-2'	T	-	-	-	-	-	-	-
		C	941 K	1.33	1308 K	1.33	1692 K	1.15	128 K
Vertical	V1, V2, V3, V4, V5, V4', V3', V2', V1'	T	117 K	1.33	249	1.33	326 K	1.15	66 K
		C	58 K	1.33	123	1.33	161 K	1.15	36 K
Diagonal	D1-2, D2-3, D3-4, D4-5, D4'-5, D3'-4', D2'-3', D1'-2'	T	212 K	1.33	330 K	1.33	428 K	1.15	53 K
		C	-	-	-	-	-	1.15	39 K
Mid-Brace	M2A, M2B, M3A, etc.	T	N/A	N/A	N/A	N/A	N/A	N/A	N/A
		C	N/A	N/A	N/A	N/A	N/A	N/A	N/A

**CONSTRUCTION SEQUENCE NOTES**

1. THE STRINGER TO FLOORBEAM CONNECTION SHALL BE DETAILED, FABRICATED, AND ASSEMBLED IN THE FIELD IN SUCH A MANNER AS TO PERMIT ISOLATED MOVEMENT BETWEEN THE STRINGER AND FLOOR BEAM SEPARATE FROM THE BOTTOM CHORD MOVEMENT. SLOTTED CONNECTION AT THE END OF THE STRINGERS WILL ALLOW FOR FLEXIBILITY IN PLACEMENT DURING CONSTRUCTION.
2. THE END OF THE STRINGER DESIGNATED ON THE "TRUSS FRAMING PLAN" AS "F" SHALL HAVE ALL THE HIGH STRENGTH BOLTS TENSIONED IN ACCORDANCE WITH CONTRACT DOCUMENT SPECIFICATIONS.
3. THE END OF THE STRINGERS DESIGNATED ON THE "TRUSS FRAMING PLAN" AS "S" SHALL HAVE HIGH STRENGTH FINGER TIGHT BOLTS THAT ALLOW FOR SLIP DURING THE CONCRETE DECK POUR. WITHIN 24 HOURS OF THE DECK POUR, THE FINGER TIGHT BOLTS SHALL BE FULLY TENSIONED IN ACCORDANCE WITH CONTRACT DOCUMENT SPECIFICATIONS.

PROJECT NAME: BETHEL  
PROJECT NUMBER: BRP 022-1(14)  
FILE NAME: s78f161truss.dgn  
PROJECT LEADER: M. EVANS-MONGEON  
DESIGNED BY: S. SCRIBNER  
TRUSS FRAMING DETAIL SHEET 2  
PLOT DATE: 20-MAY-2011  
DRAWN BY: M. LONGSTREET  
CHECKED BY: T. FILLBACH  
SHEET 88 OF 148