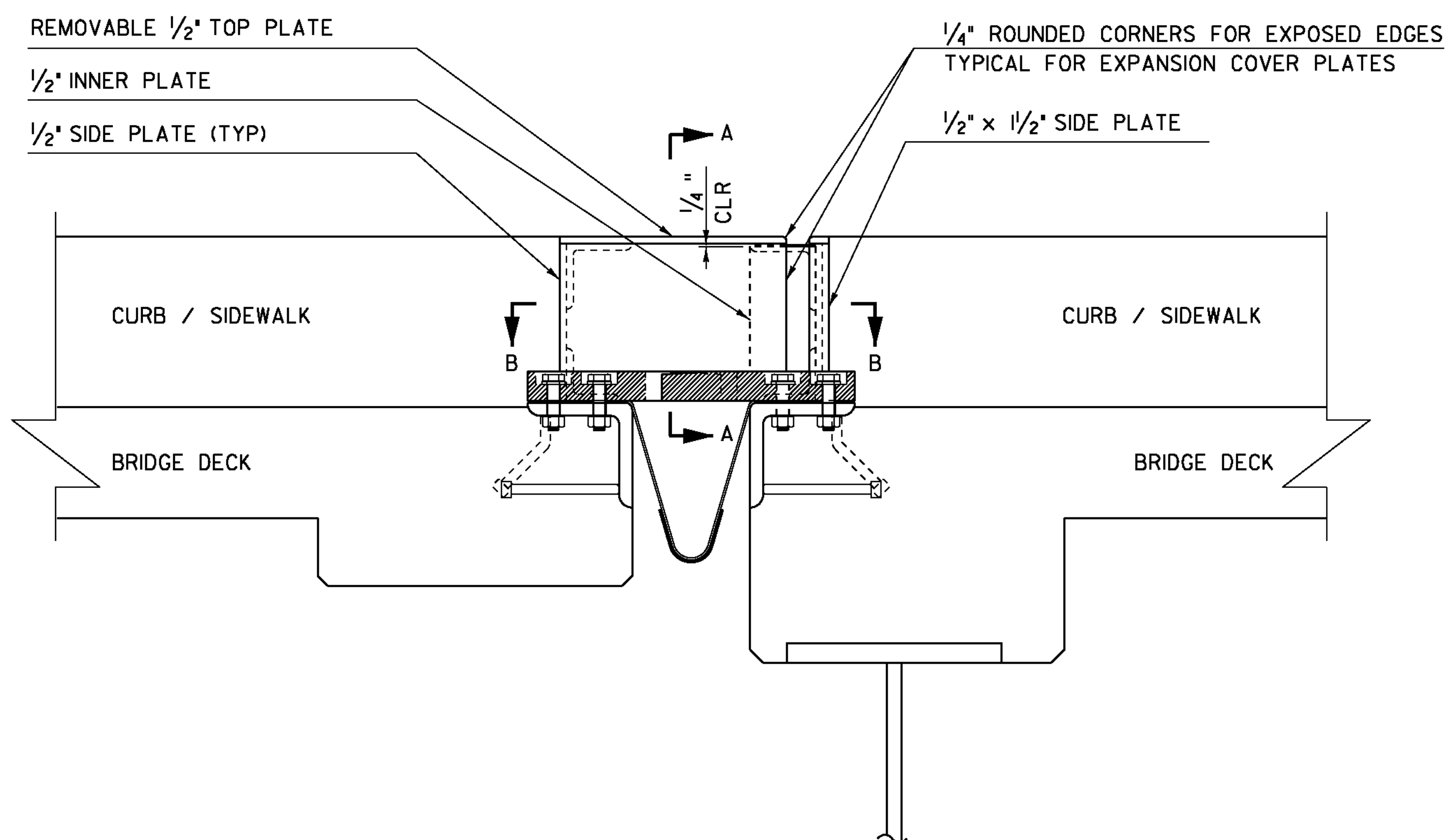


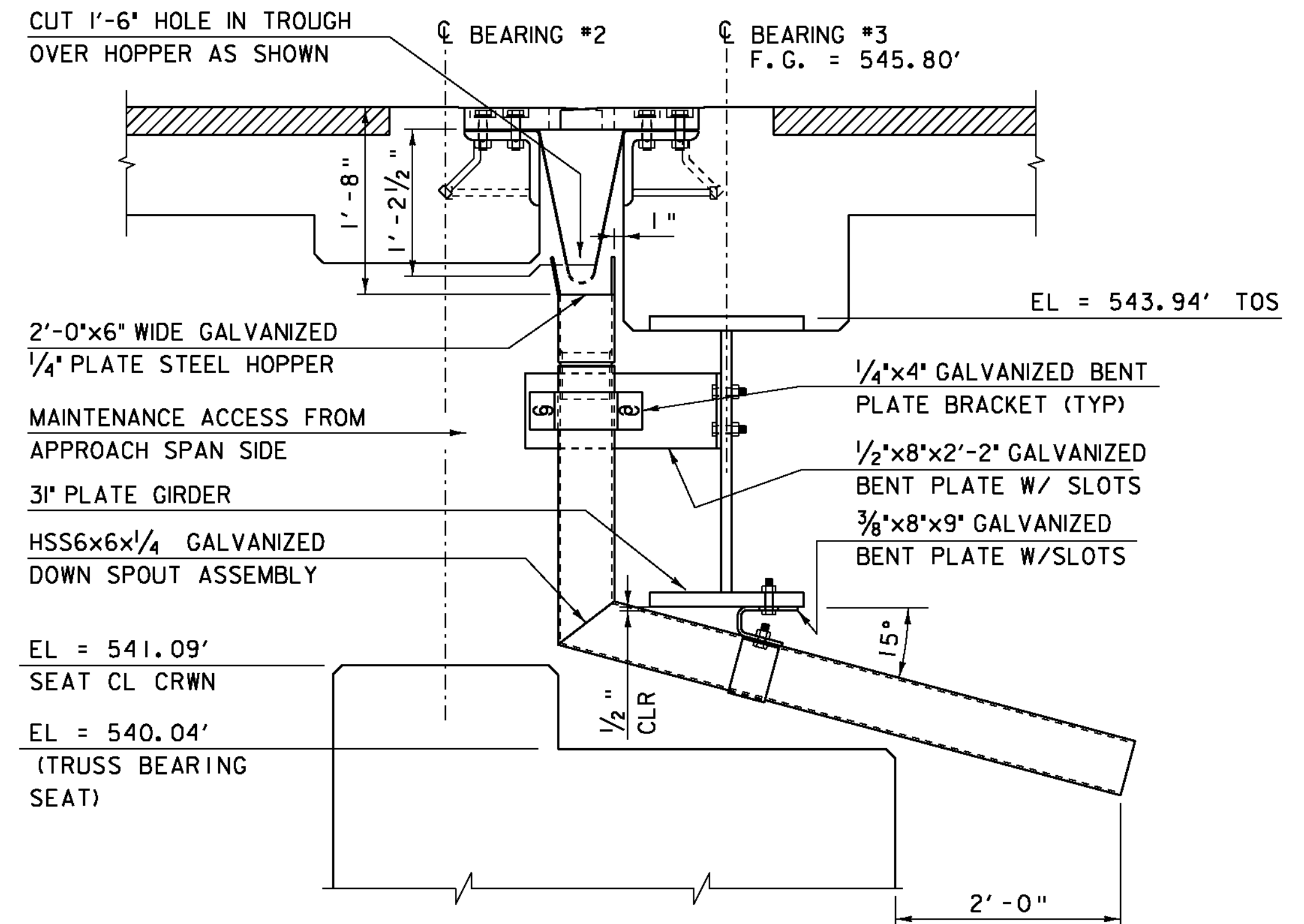
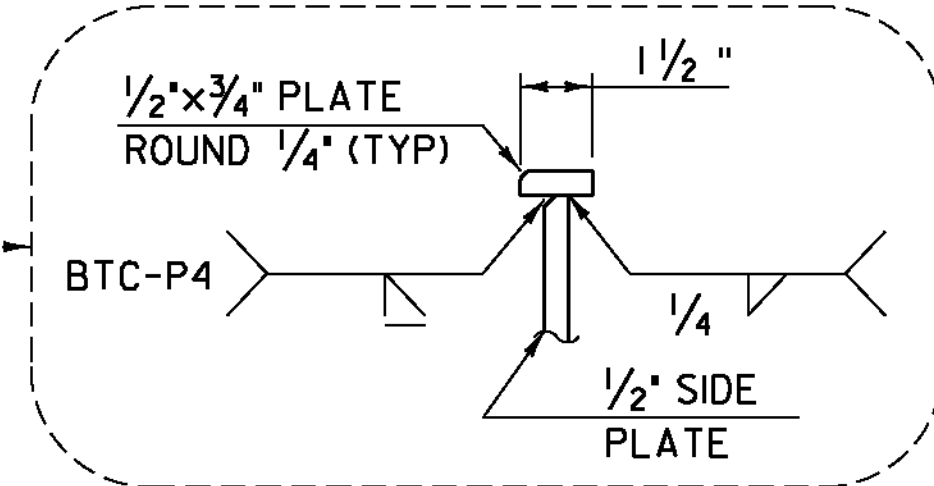
SIDEWALK EXPANSION JOINT (TYP)

SCALE 1 1/2" = 1'-0"



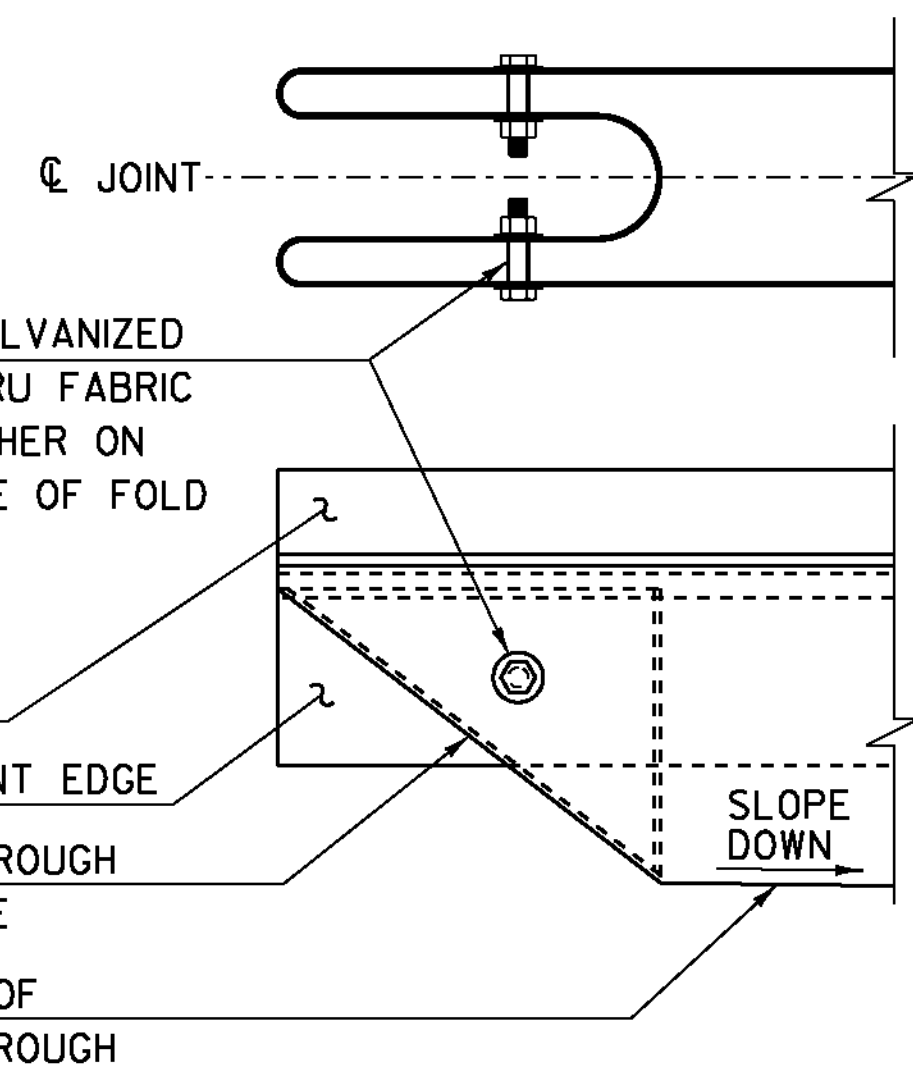
SIDEWALK EXPANSION JOINT (TYP)

SCALE 1 1/2" = 1'-0"



HOPPER TYPICAL SECTION

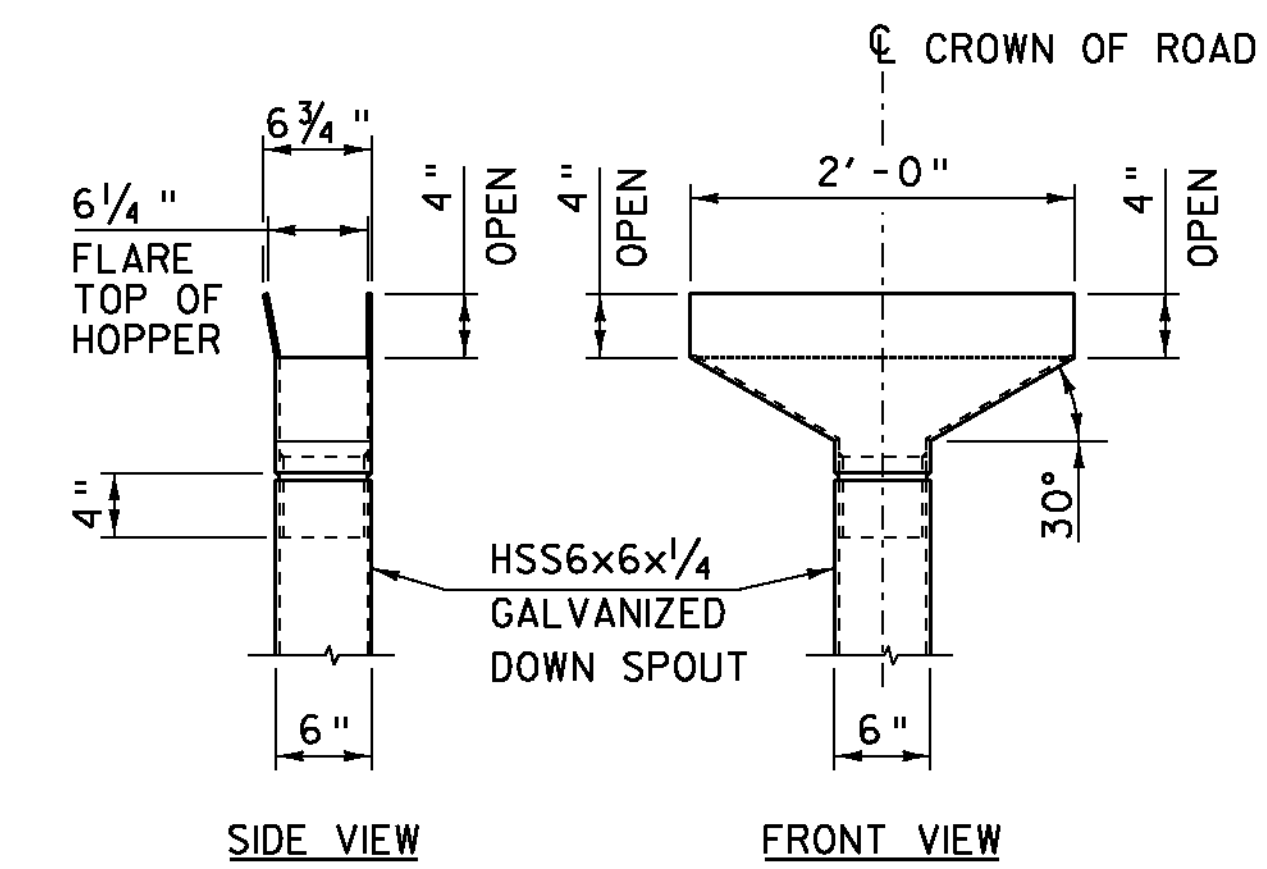
SCALE 1" = 1'-0"



FOLDED TROUGH END DETAIL

SCALE 1 1/2" = 1'-0"

1. TROUGH SHALL BE FOLDED AT BOTH LEFT AND RIGHT BRIDGE FASCIA ENDS. TROUGH SHALL SLOPE TOWARD BRIDGE CENTER DOWN SPOUT HOPPER LOCATION.
2. BOLTS, NUTS AND WASHERS FOR FOLD SHALL MEET REQUIREMENTS OF SUBSECTION 714.04 AND SHALL BE GALVANIZED.



HOPPER DETAILS

SCALE 1" = 1'-0"

PROJECT NAME: BETHEL
PROJECT NUMBER: BRF 022-1(14)

FILE NAME: s78f61sup.dgn
PROJECT LEADER: M. EVANS-MONGEON
DESIGNED BY: S. SCRIBNER
EXPANSION JOINT DETAIL SHEET 2

PLOT DATE: 20-MAY-2011
DRAWN BY: M. LONGSTREET
CHECKED BY: S. SCRIBNER
SHEET 83 OF 148