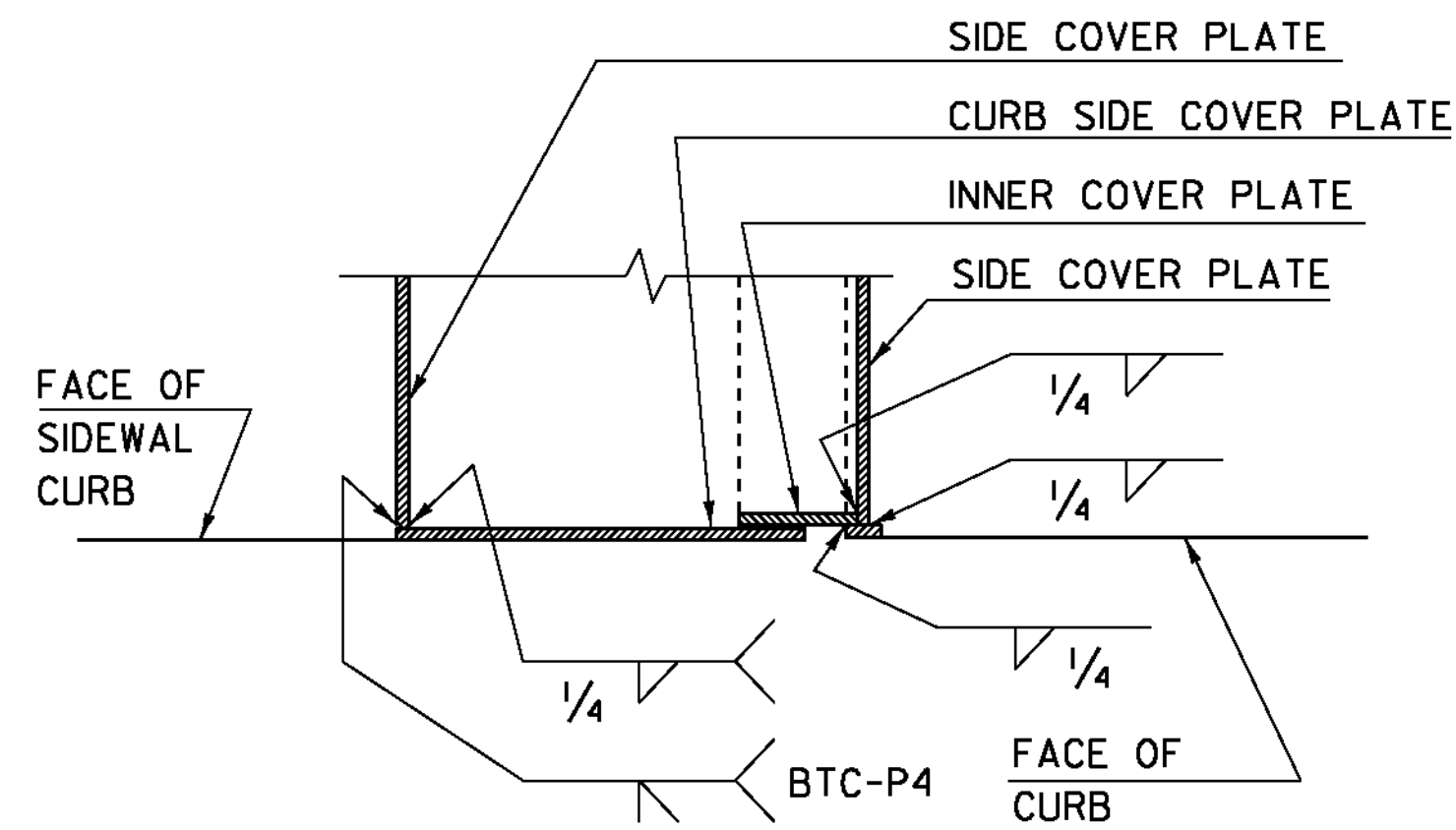


SECTION A-A

SCALE 1 1/2" = 1'-0"

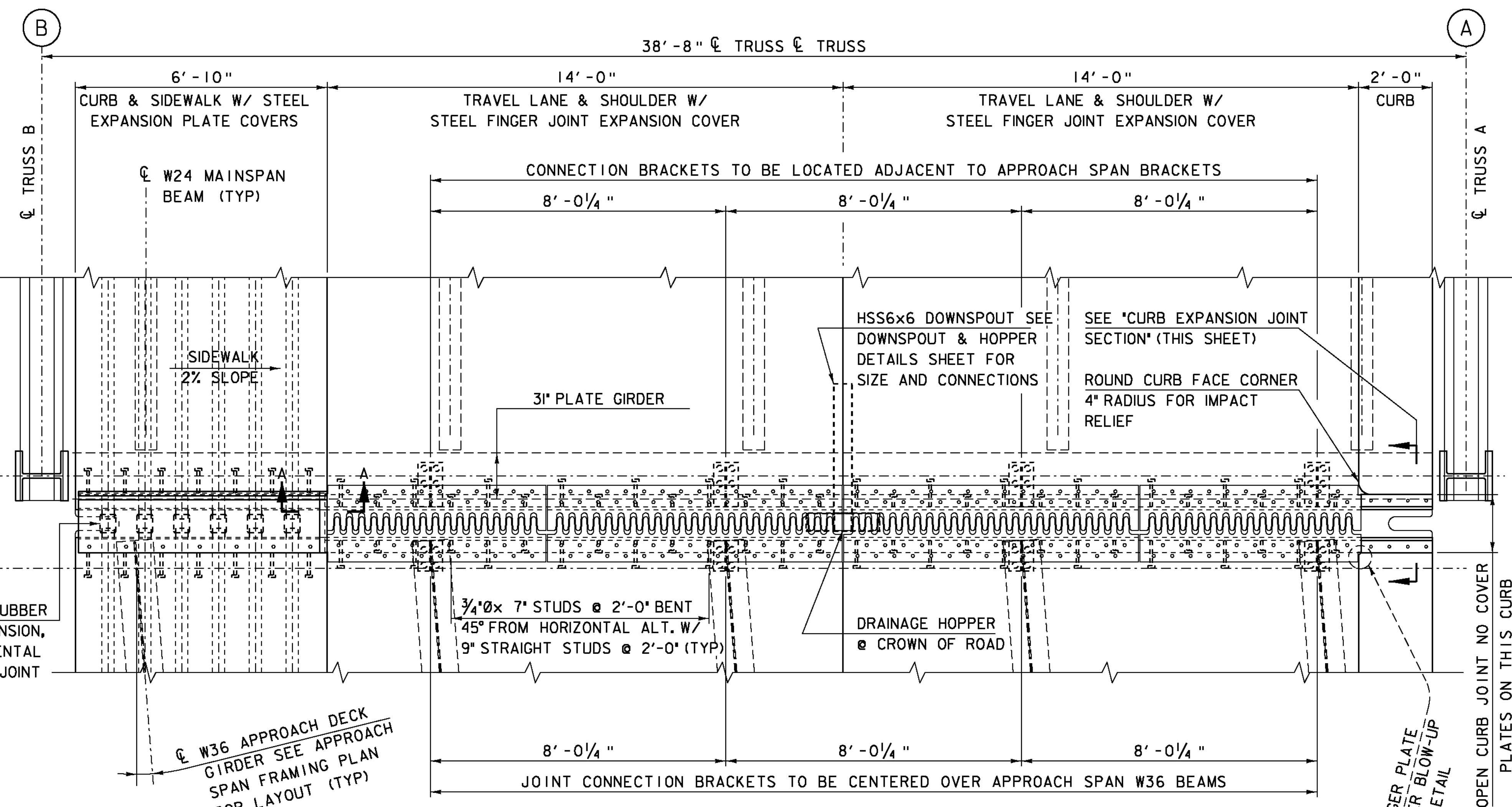
NOTE: SEAL WELD & GRIND SMOOTH ALL PLATE JOINTS PRIOR TO GALVANIZING.



SECTION B-B

SCALE 1 1/2" = 1'-0"

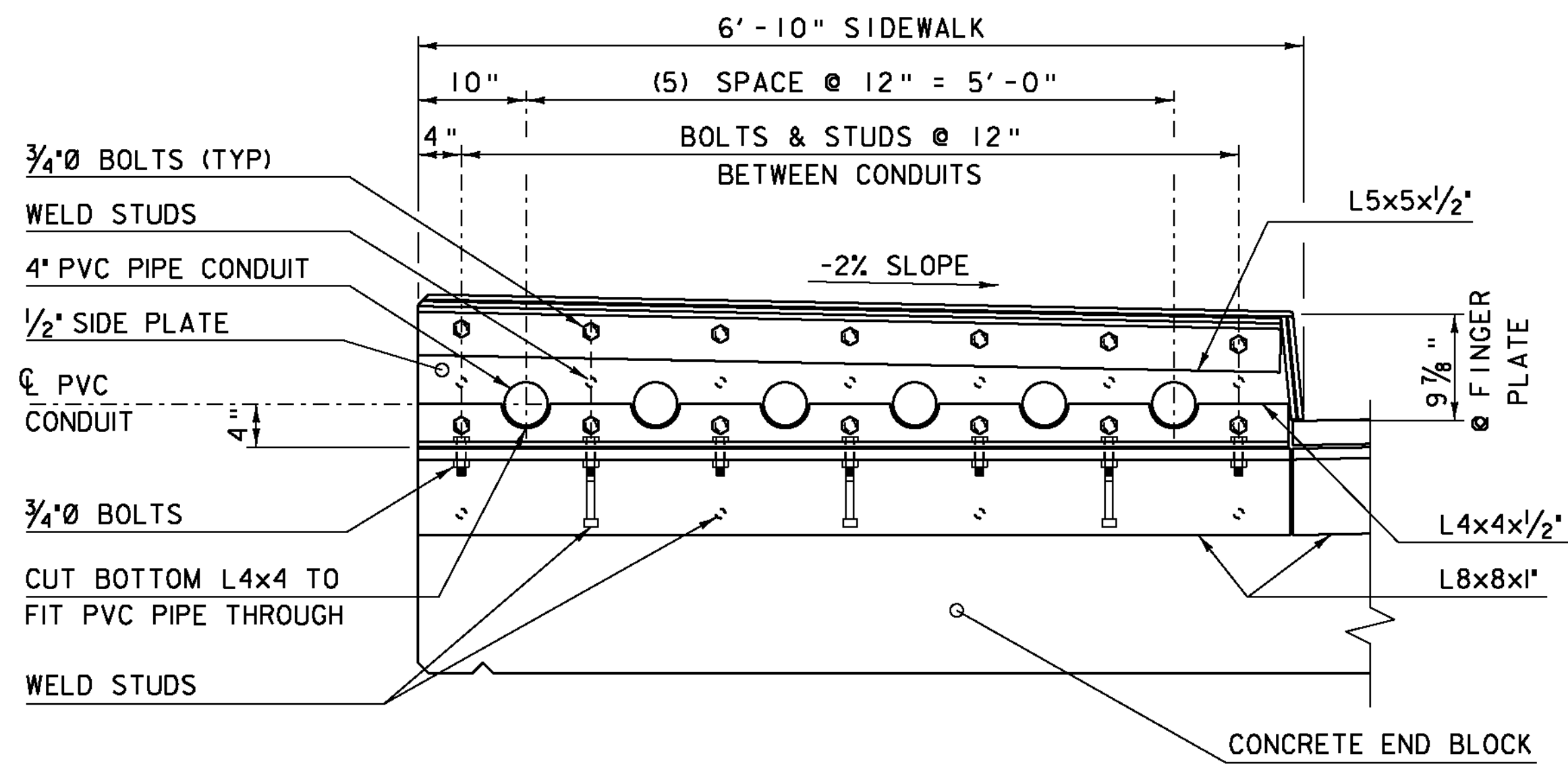
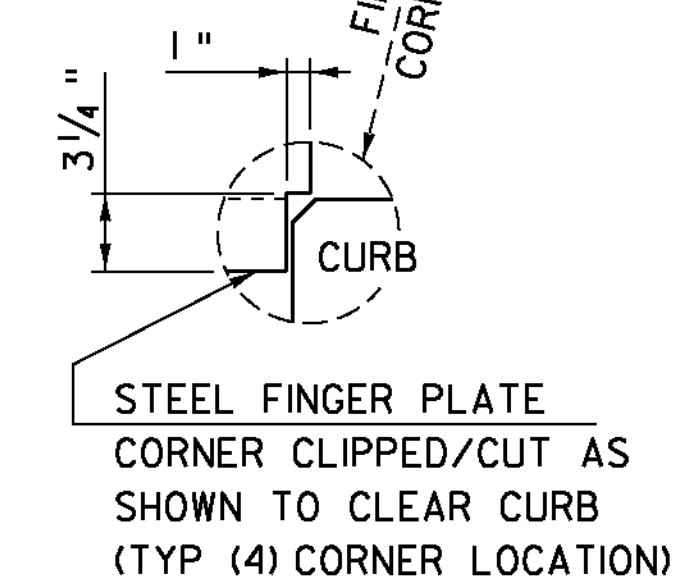
NOTE: SEAL WELD & GRIND SMOOTH ALL PLATE JOINTS PRIOR TO GALVANIZING.



EXPANSION JOINT PLAN DETAIL

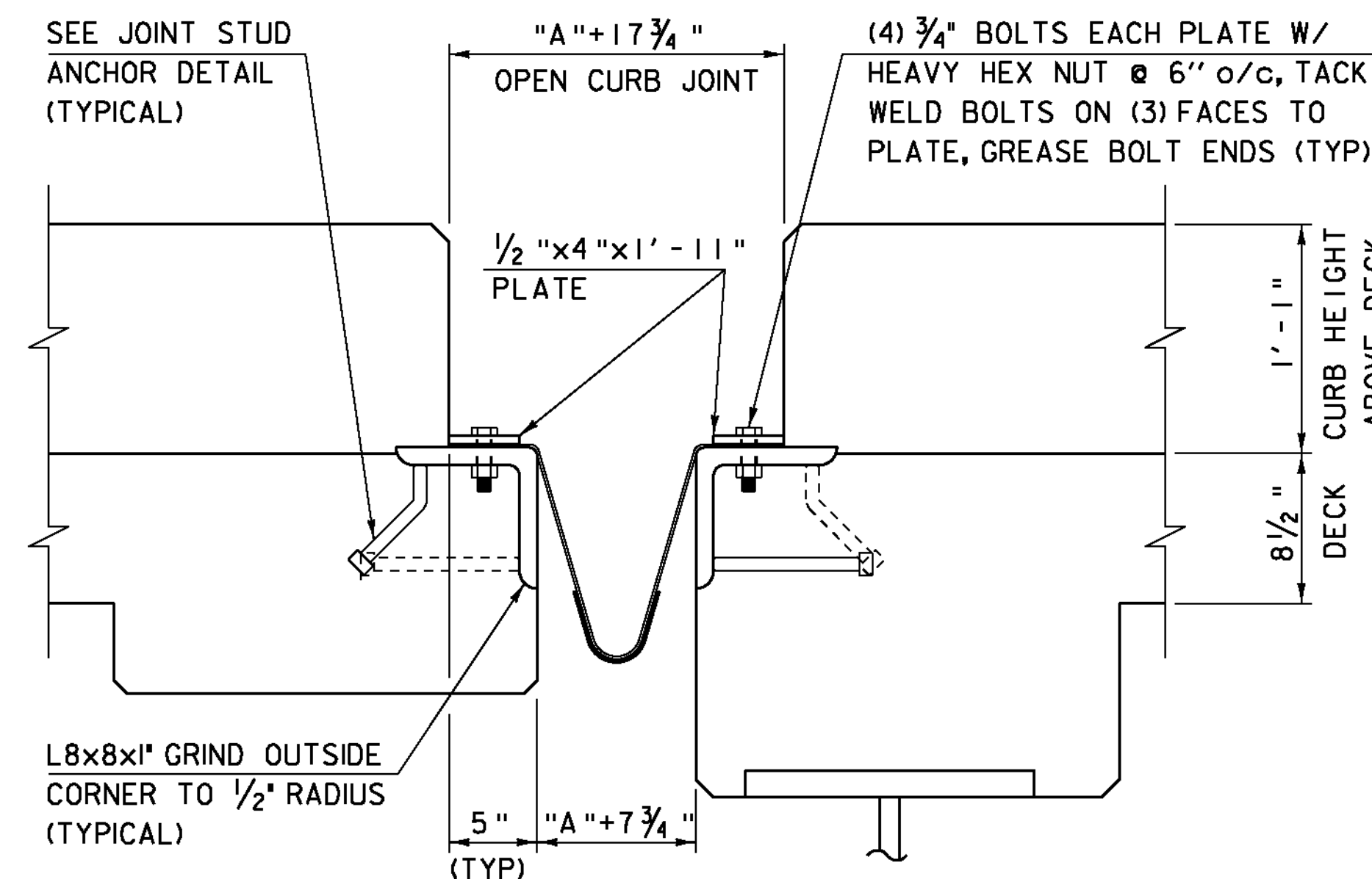
SCALE 1/2" = 1'-0"

SEE 'EXPANSION JOINT DETAIL SHEET 1' FOR EXPANSION JOINT NOTES.



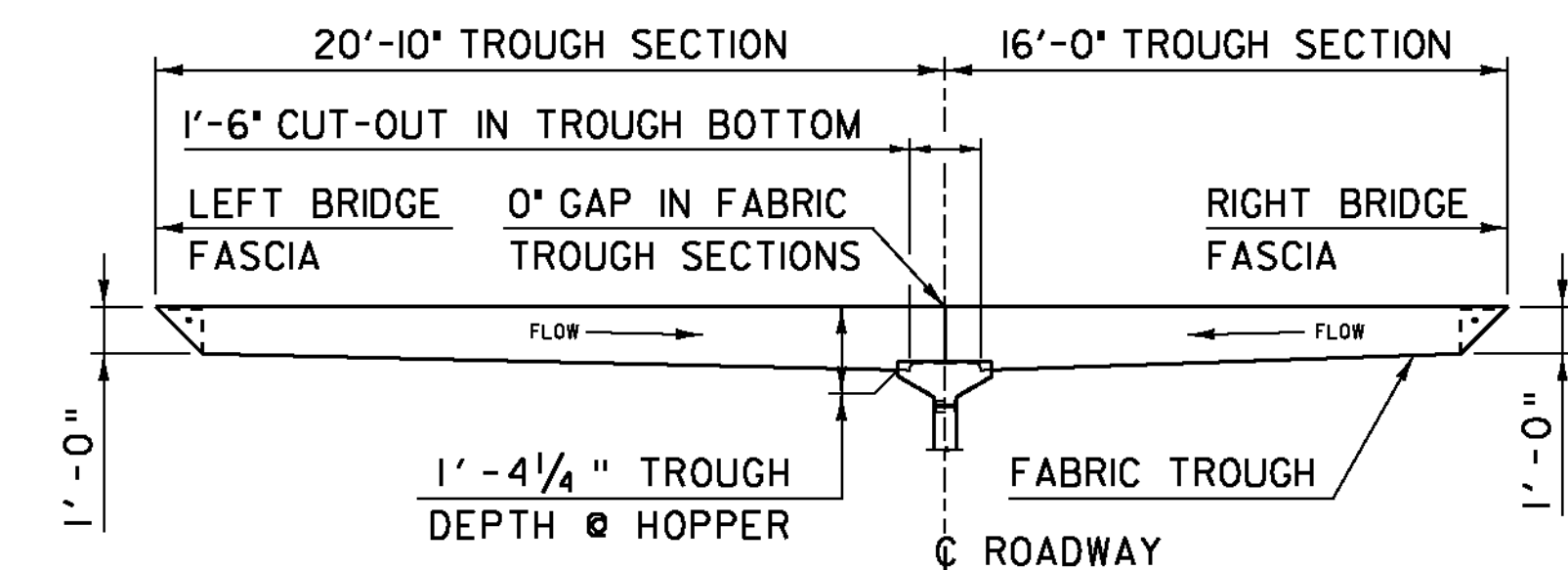
SIDEWALK JOINT ELEVATION

SCALE 1" = 1'-0"



CURB EXPANSION JOINT SECTION

SCALE 1 1/2" = 1'-0"



FABRIC TROUGH ELEVATION

NOT TO SCALE

PROJECT NAME: BETHEL
PROJECT NUMBER: BRF 022-1(14)

FILE NAME: s78f161sup.dgn
PROJECT LEADER: M. EVANS-MONGEON
DESIGNED BY: S. SCRIBNER
EXPANSION JOINT PLAN & DETAILS

PLOT DATE: 20-MAY-2011
DRAWN BY: M. LONGSTREET
CHECKED BY: S. SCRIBNER
SHEET 81 OF 148