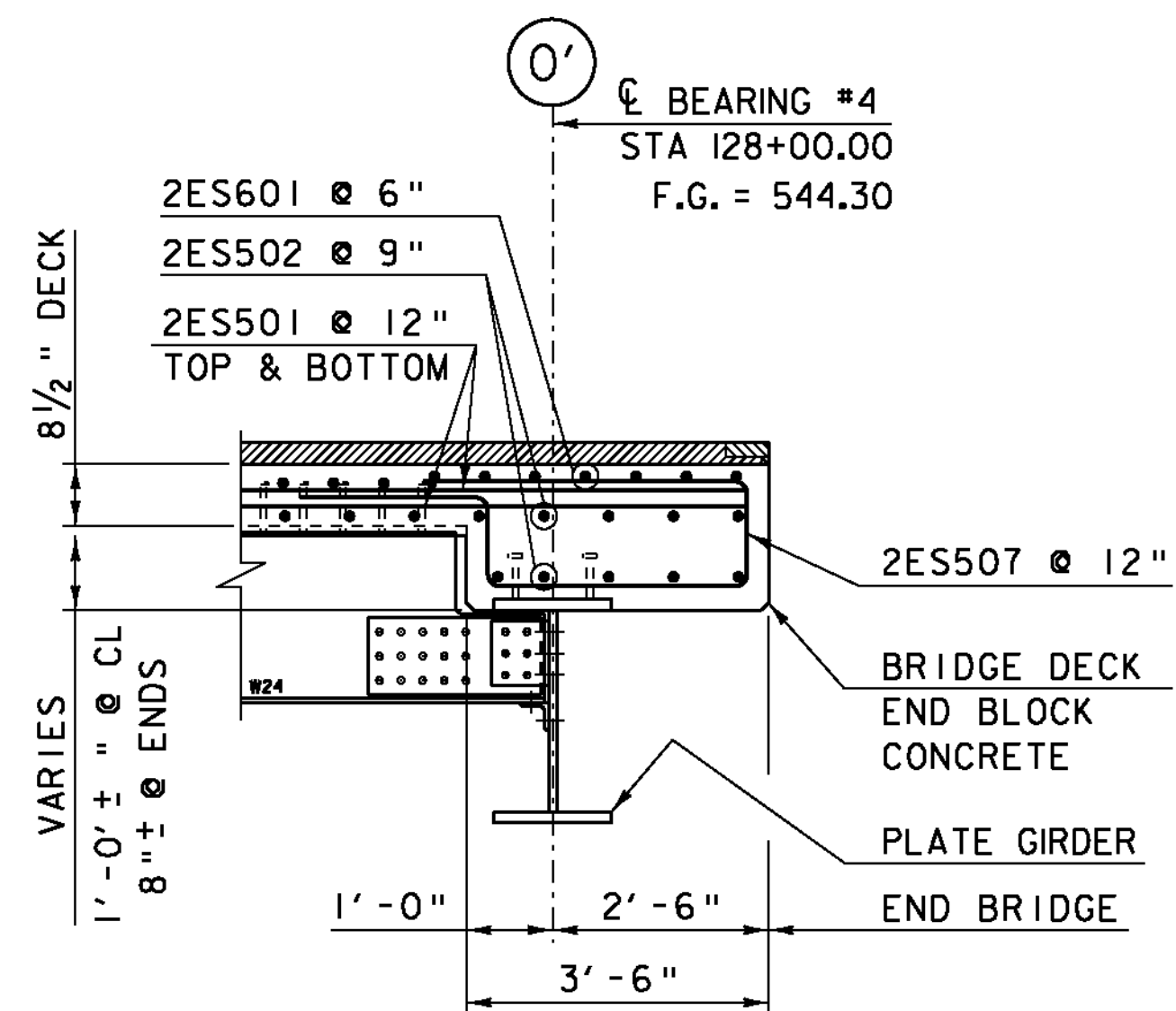


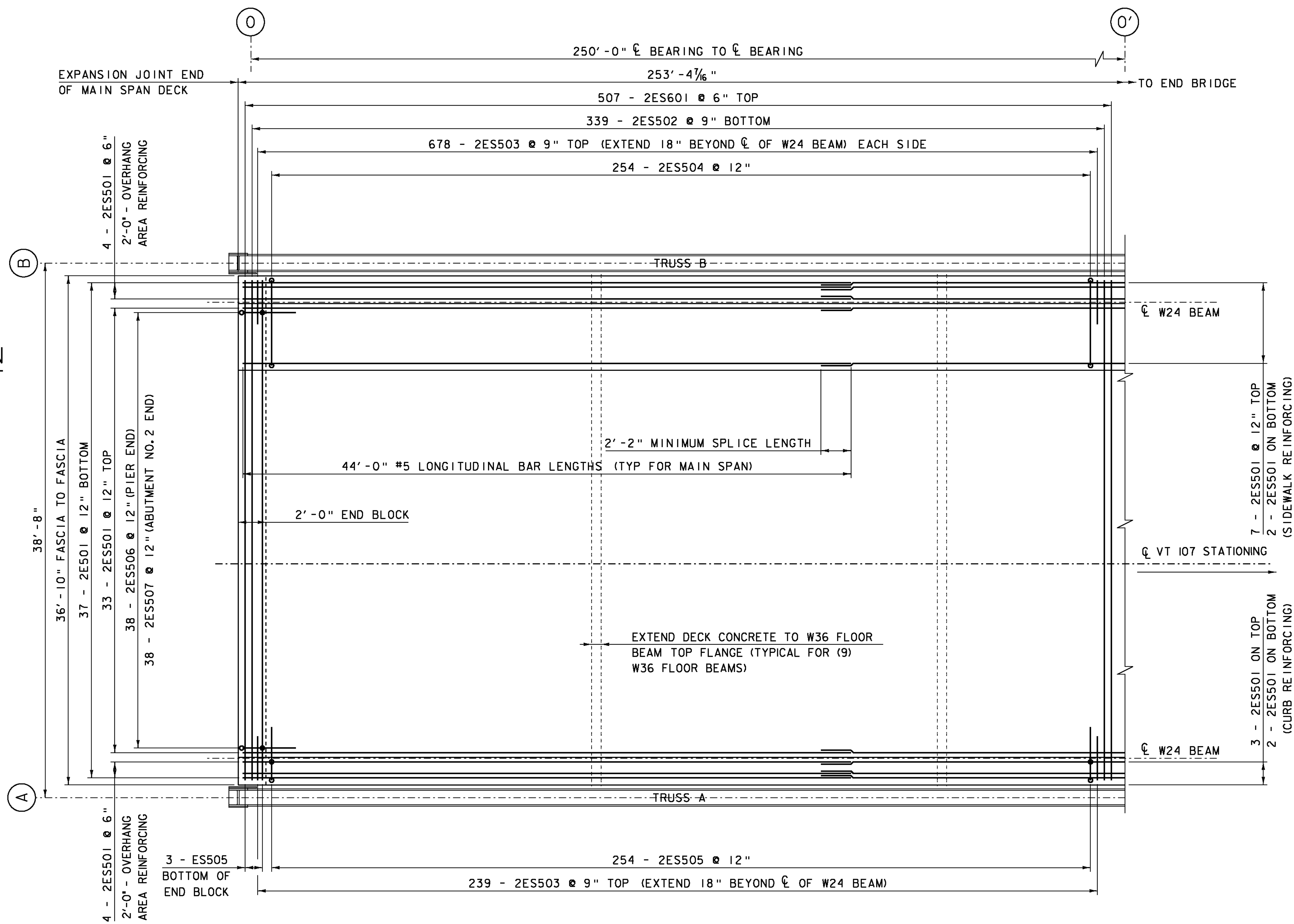
**BEGIN TRUSS SPAN DECK SECTION**

SCALE 1/2" = 1'-0"



**END TRUSS SPAN DECK SECTION**

SCALE 1/2" = 1'-0"



**TRUSS SPAN DECK PLAN**

SCALE 1/4" = 1'-0"

**NOTE:**

- NF = NEAR FACE
- FF = FAR FACE
- EF = EACH FACE
- △ = CUT TO FIT IN FIELD
- 3" CLEAR, UNLESS OTHERWISE SPECIFIED ON THE PLANS.
- 2'-2" BAR LAP UNLESS OTHERWISE SPECIFIED ON THE PLANS.

PROJECT NAME: BETHEL	PLOT DATE: 20-MAY-2011
PROJECT NUMBER: BRF 022-1(14)	DRAWN BY: M. LONGSTREET
FILE NAME: s78f161sup.dgn	CHECKED BY: S.SCRIBNER
PROJECT LEADER: M. EVANS-MONGEON	SHEET 80 OF 148
DESIGNED BY: S. SCRIBNER	
MAIN SPAN DECK PLAN	