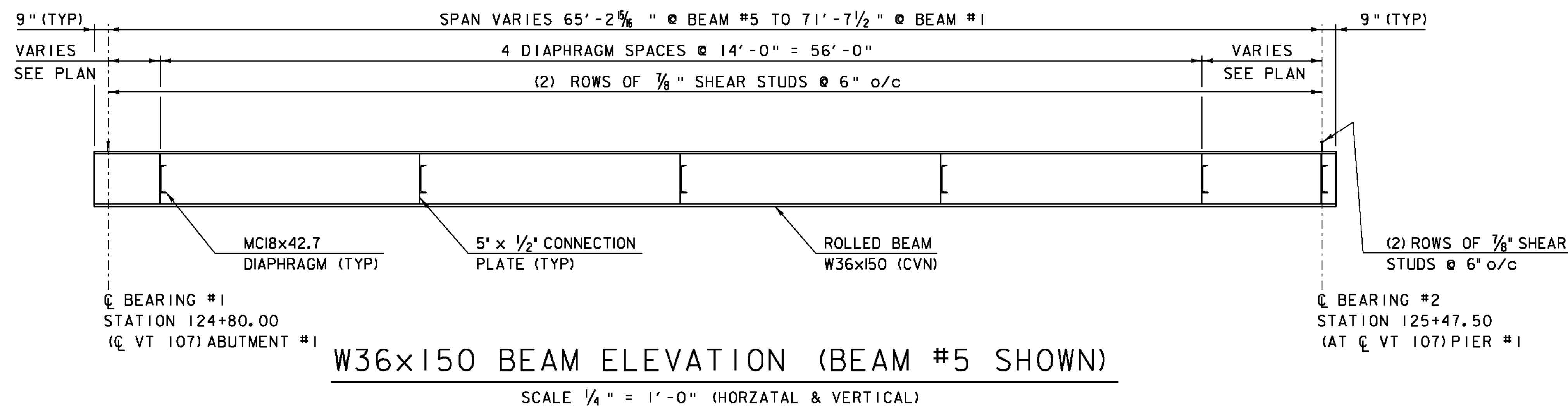
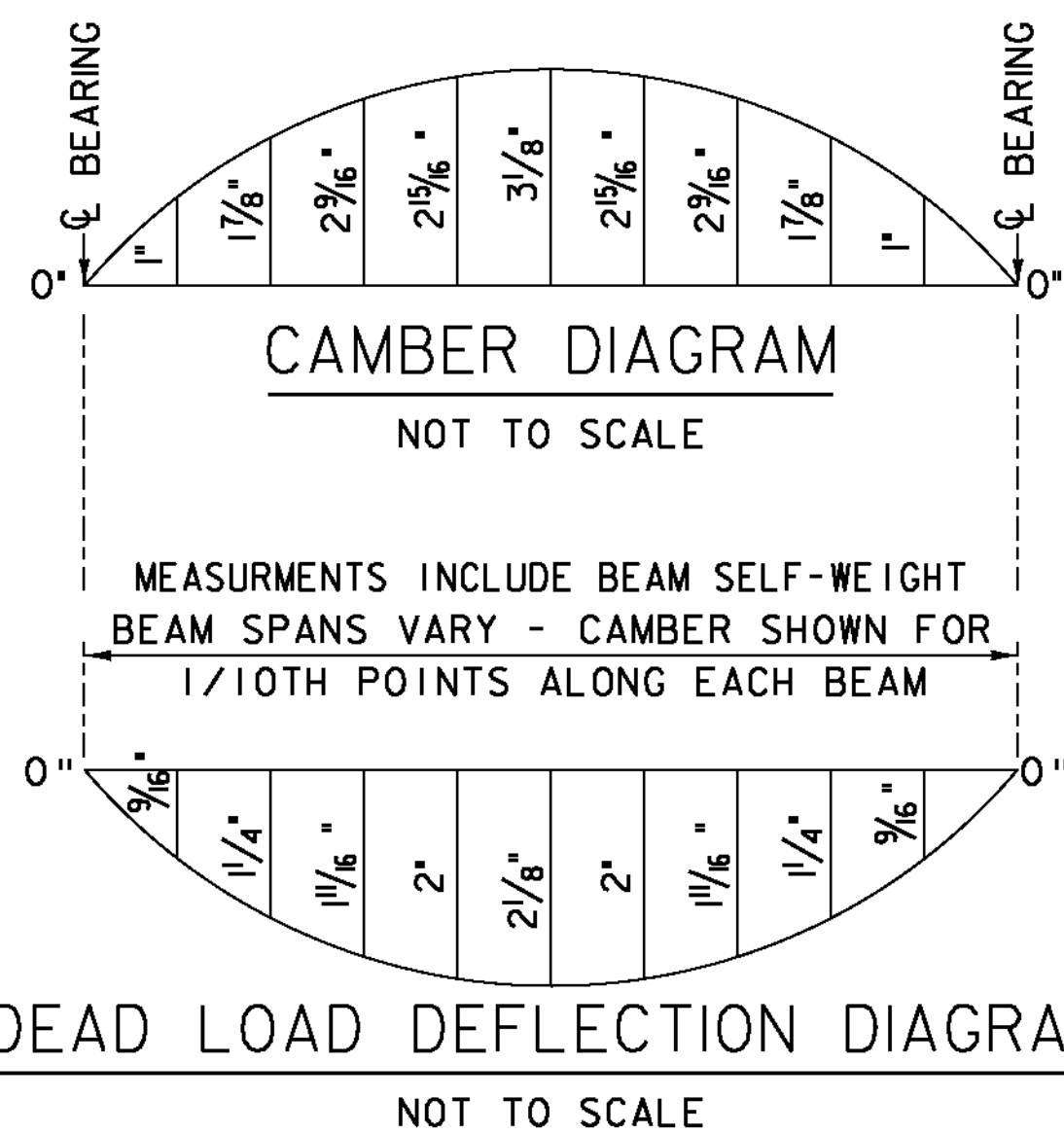


NOTE:  
HI-STRENGTH BOLTS, NUTS AND WASHERS SHALL CONFORM TO AASHTO DESIGNATION M164.

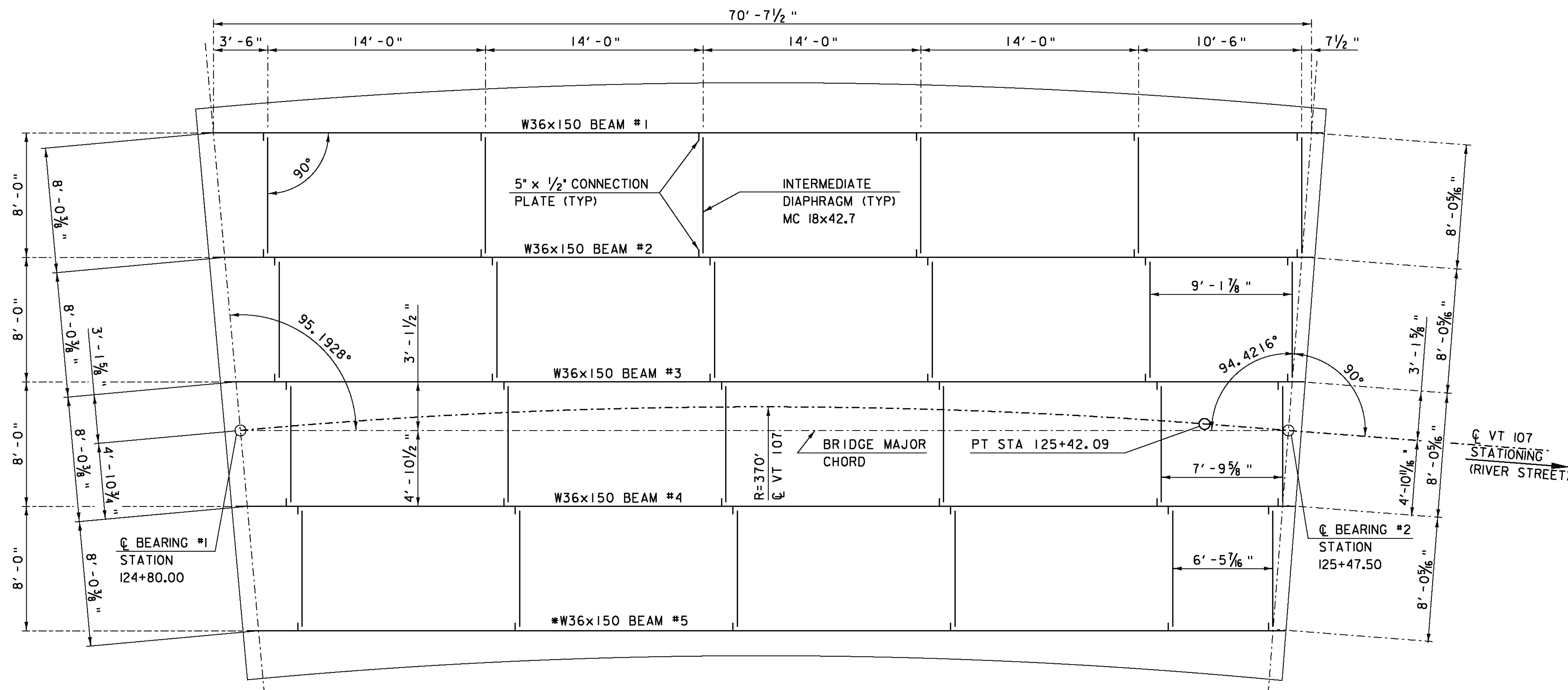
### INTERMEDIATE DIAPHRAGMS FOR W36 BEAMS

NOT TO SCALE



### W36x150 BEAM ELEVATION (BEAM #5 SHOWN)

SCALE 1/4" = 1'-0" (HORIZONTAL & VERTICAL)



### APPROACH SPAN FRAMING PLAN

SCALE 1/4" = 1'-0"

•CVN - SHALL MEET CHARPY V-NOTCH REQUIREMENTS FOR MAIN MEMBERS AS INDICATED IN SECTION 714 OF THE STANDARD SPECIFICATIONS

•• HOLES FOR TRANSVERSE ABUTMENT REINFORCING STEEL NOT SHOWN. SEE 'ABUTMENT #1 ELEVATION & TYPICAL'

PROJECT NAME:	BETHEL	PLOT DATE:	20-MAY-2011
PROJECT NUMBER:	BRF 022-1(14)	DRAWN BY:	M. LONGSTREET
FILE NAME:	s78f161sup.dgn	DESIGNED BY:	S. SCRIBNER
PROJECT LEADER:	M. EVANS-MONGEON	CHECKED BY:	S. SCRIBNER
APPROACH SPAN FRAMING PLAN			SHEET 78 OF 148