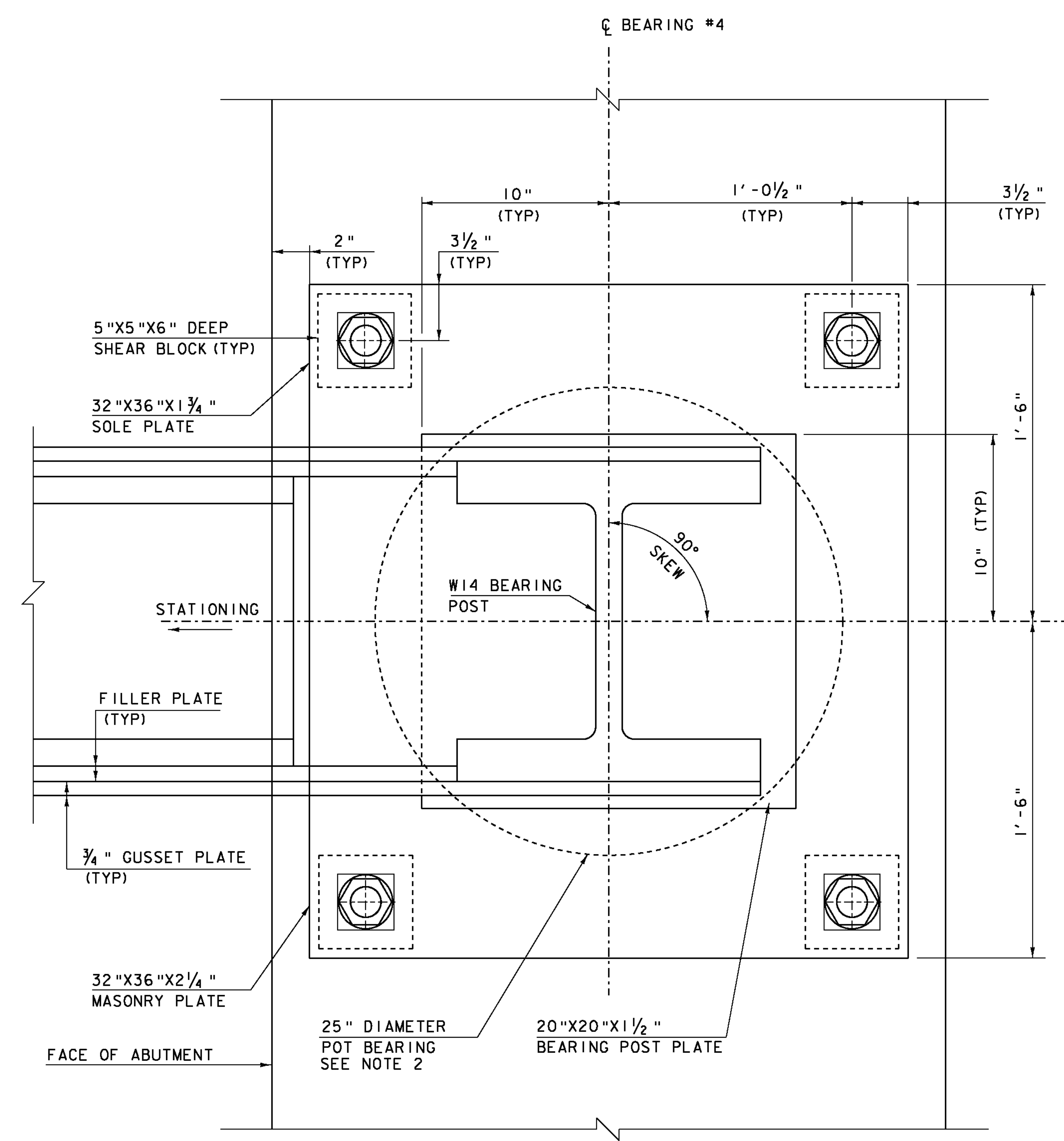
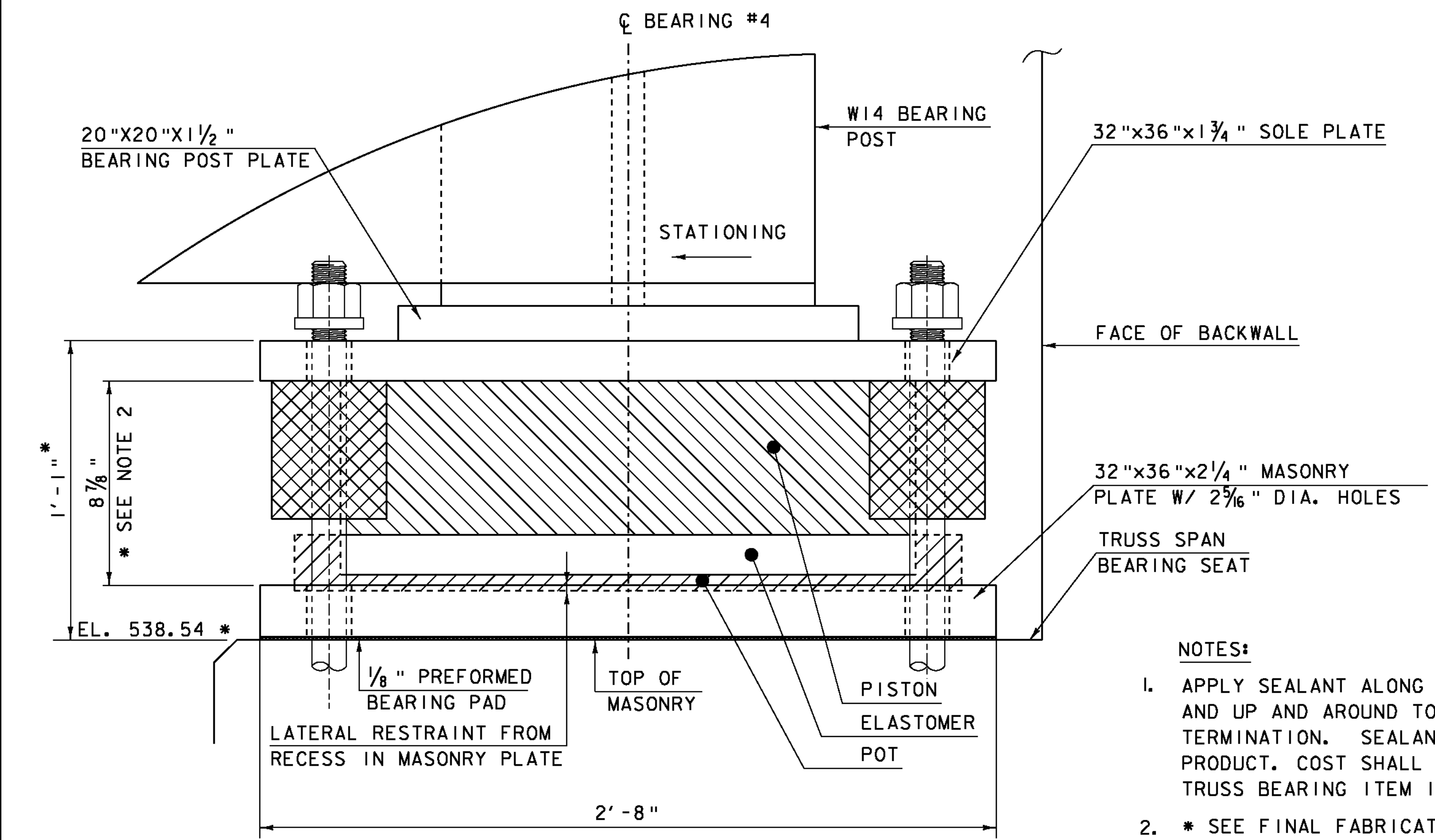


TRUSS FIXED BEARING END ELEVATION
SCALE 3" = 1'-0"



TRUSS FIXED BEARING PLAN VIEW
SCALE 3" = 1'-0"



TRUSS FIXED BEARING SIDE ELEVATION
SCALE 3" = 1'-0"

- NOTES:
1. APPLY SEALANT ALONG TRANSVERSE EDGE AND UP AND AROUND TO THE FILLET WELD TERMINATION. SEALANT SHALL BE AN APPROVED PRODUCT. COST SHALL BE INCIDENTAL TO TRUSS BEARING ITEM IN CONTRACT.
 2. * SEE FINAL FABRICATION DRAWINGS FOR EXACT DIMENSIONS. BRIDGE SEATS MAY NEED ADJUSTMENT. THE CROSS HATCHED COMPONENTS OF THE BEARING ARE SHOWN FOR REPRESENTATIVE PURPOSES ONLY. THE ACTUAL CONFIGURATION OF THE COMPONENTS WILL BE DEPENDENT UPON THE BEARING FABRICATOR.

PROJECT NAME:	BETHEL	PLOT DATE:	20-MAY-2011
PROJECT NUMBER:	BRF 022-1(14)	DRAWN BY:	S. SCRIBNER
FILE NAME:	s78f16lbrg.dgn	CHECKED BY:	S. SCRIBNER
PROJECT LEADER:	M. EVANS-MONGEON	SHEET	75 OF 148
DESIGNED BY:	S. SCRIBNER	ABUTMENT 2 FIXED BEARING DETAILS	