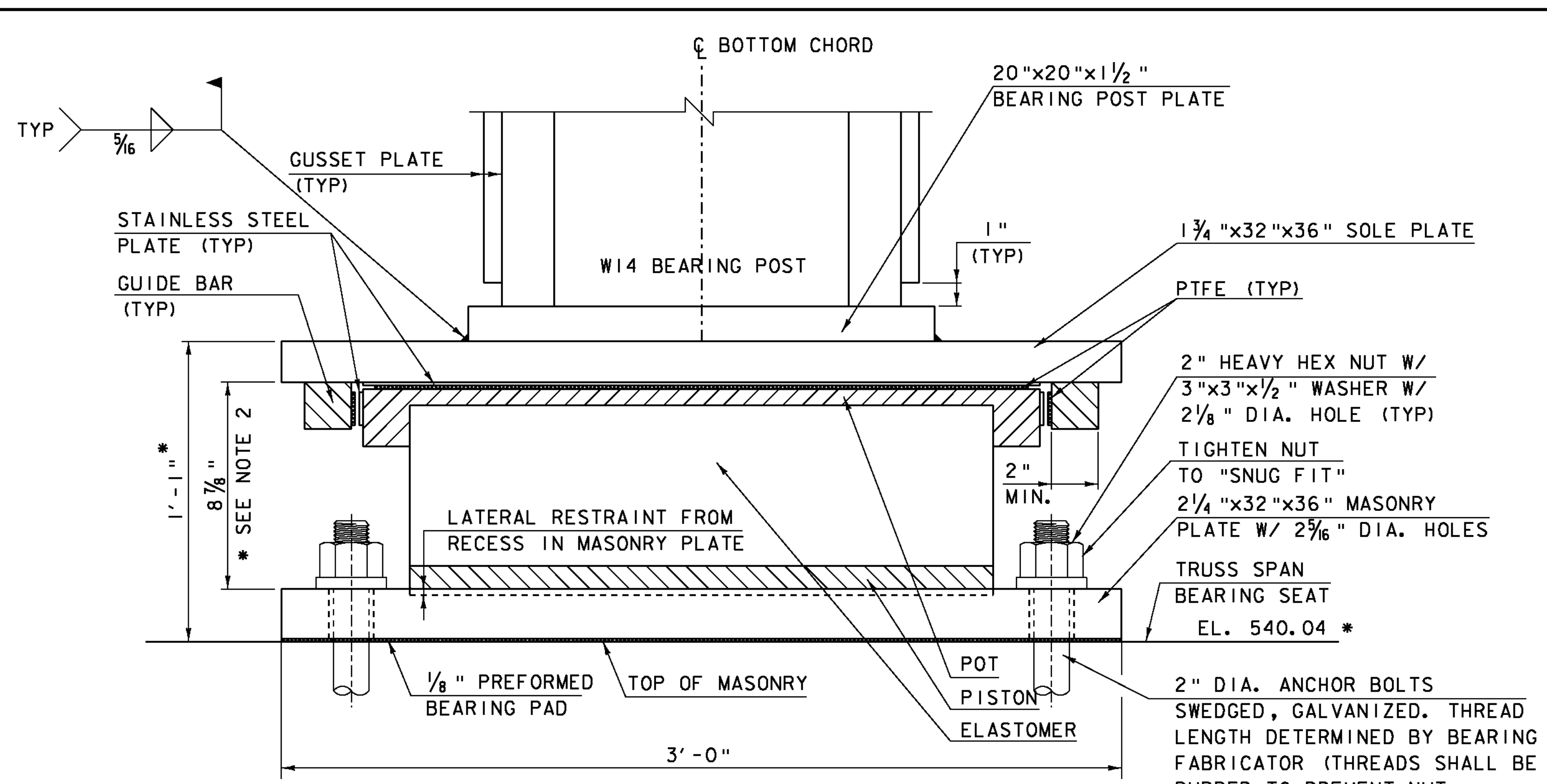
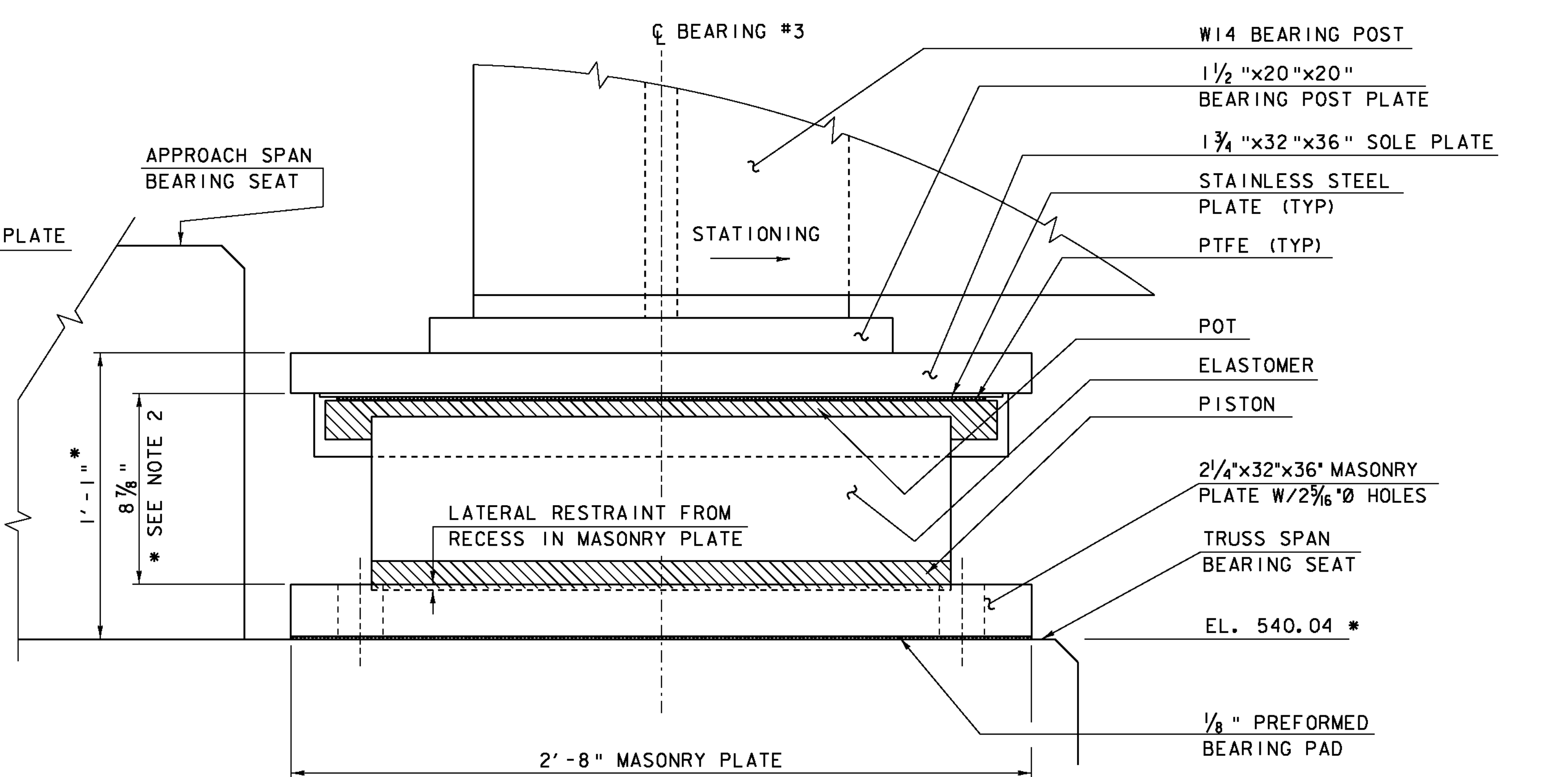


TRUSS EXPANSION BEARING PLAN VIEW
SCALE 3" = 1'-0"



TRUSS EXPANSION BEARING END ELEVATION
SCALE 3" = 1'-0"



TRUSS EXPANSION BEARING SIDE ELEVATION
SCALE 3" = 1'-0"

- NOTES:**
1. APPLY SEALANT ALONG TRANSVERSE EDGE AND UP AND AROUND TO THE FILLET WELD TERMINATION. SEALANT SHALL BE AN APPROVED PRODUCT. COST SHALL BE INCIDENTAL TO TRUSS BEARING ITEM IN CONTRACT.
 2. * SEE FINAL FABRICATION DRAWINGS FOR EXACT DIMENSIONS. BRIDGE SEATS MAY NEED ADJUSTMENT. THE CROSS HATCHED COMPONENTS OF THE BEARING ARE SHOWN FOR REPRESENTATIVE PURPOSES ONLY. THE ACTUAL CONFIGURATION OF THE COMPONENTS WILL BE DEPENDENT UPON THE BEARING FABRICATOR.
 3. GUIDE BAR IS SHOWN IN THE LONGITUDINAL DIRECTION FOR N2 BEARING. FOR N3 BEARING GUIDE BAR SHALL BE IN THE TRANSVERSE DIRECTION. AND FOR N4 BEARING GUIDE BAR SHALL BE OMITTED.

PROJECT NAME:	BETHEL
PROJECT NUMBER:	BRF 022-1(14)
FILE NAME:	s78f16lbrg.dgn
PROJECT LEADER:	M. EVANS-MONGEON
DESIGNED BY:	S. SCRIBNER
TRUSS SPAN PIER EXPANSION BEARING DETAILS SHEET	74 OF 148
PLOT DATE:	20-MAY-2011
DRAWN BY:	S. SCRIBNER
CHECKED BY:	S. SCRIBNER