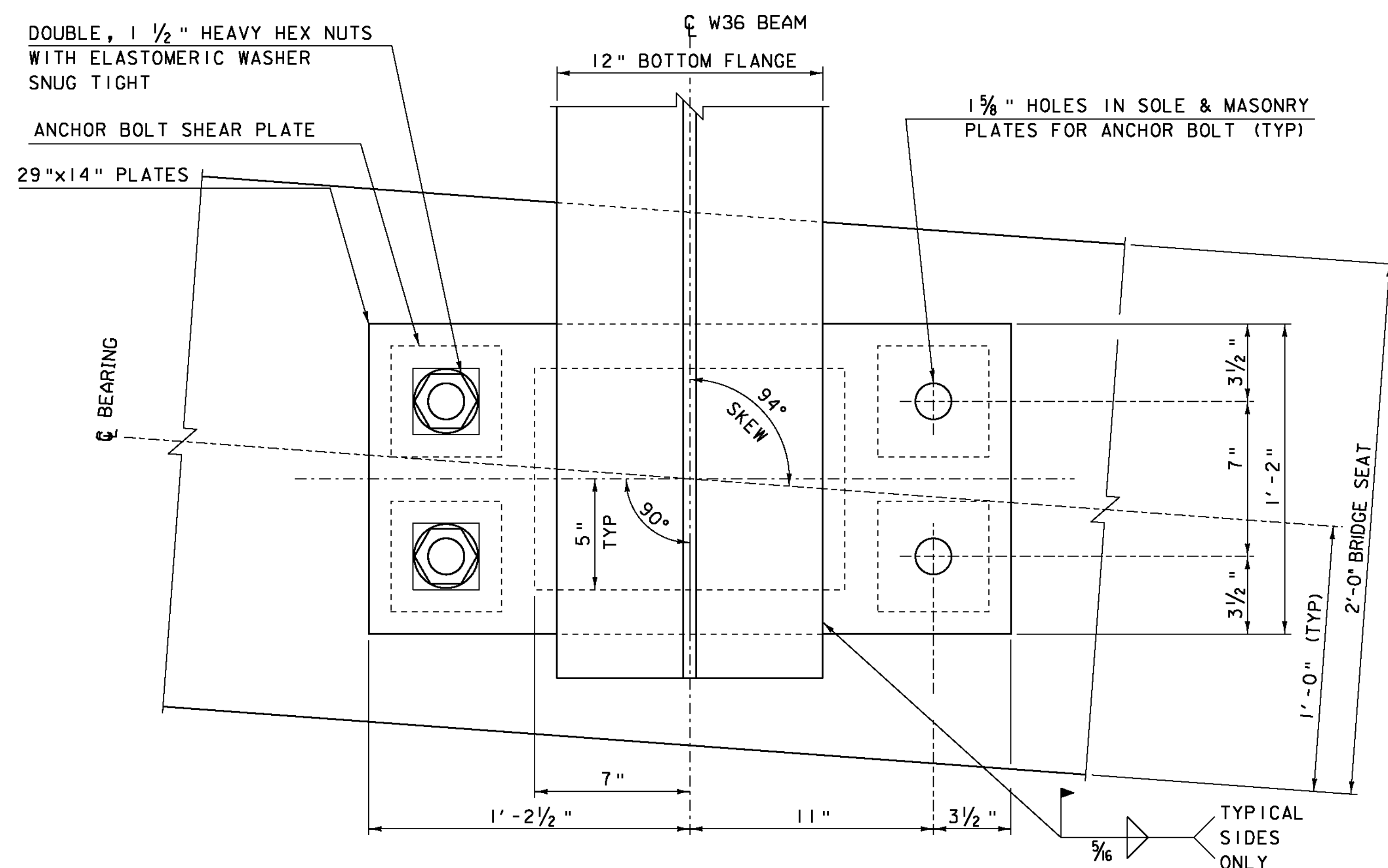


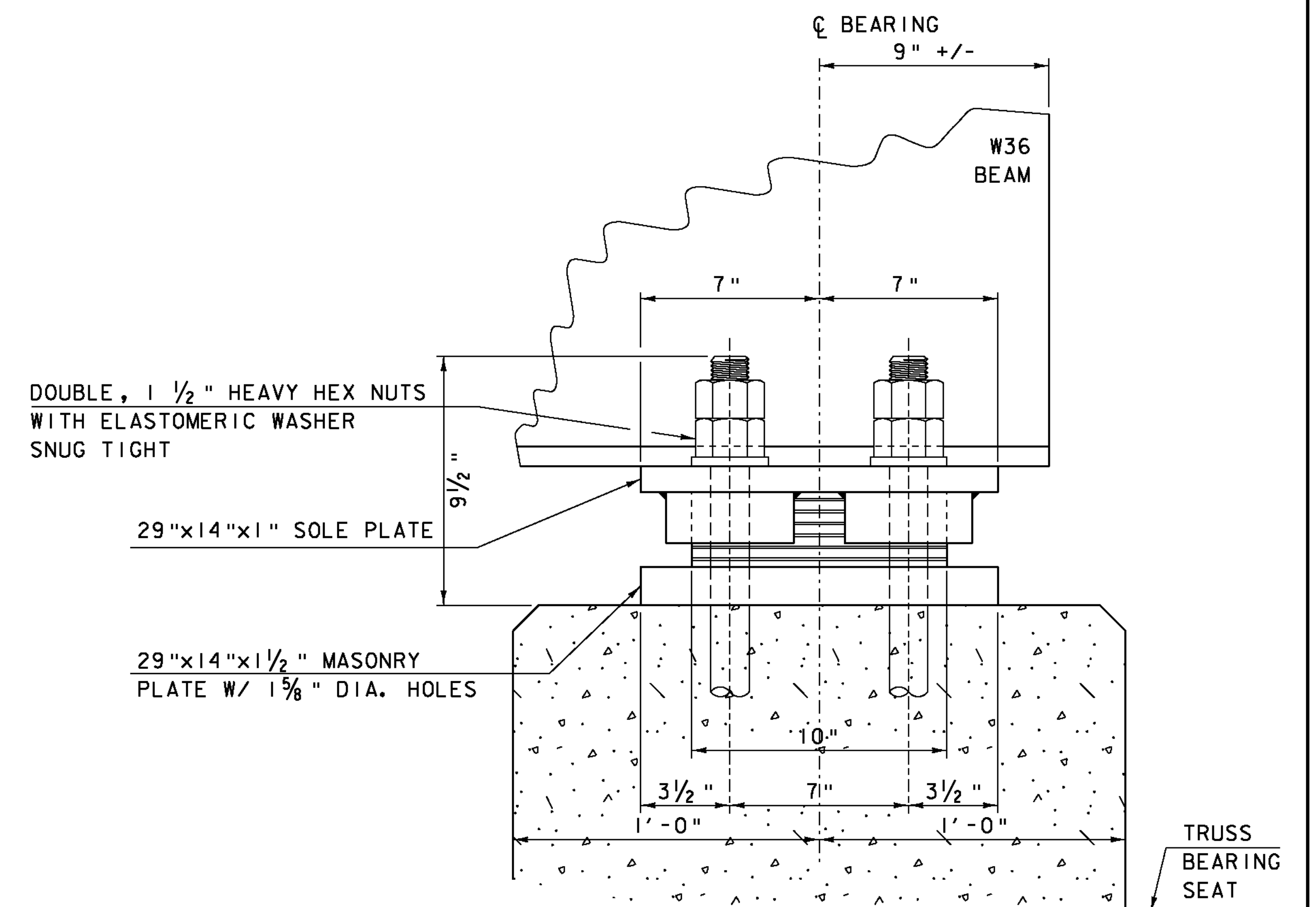
APPROACH SPAN PIER FIXED BEARING END ELEVATION

SCALE 3" = 1'-0"



APPROACH SPAN PIER FIXED BEARING PLAN VIEW

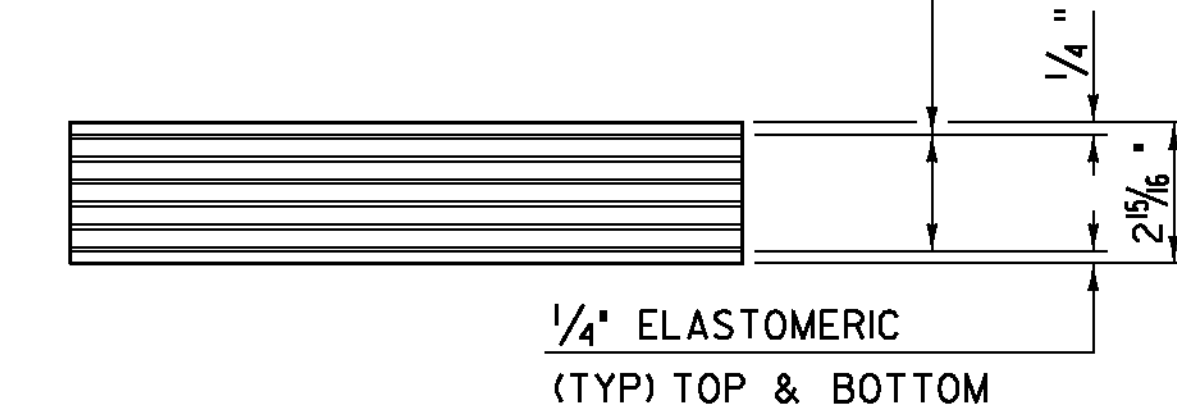
SCALE 3" = 1'-0"



APPROACH SPAN PIER FIXED BEARING SIDE ELEVATION

SCALE 3" = 1'-0"

- (5) LAYERS OF 3/8" ELASTOMERIC, ALTERNATE W/
- (6) LAYERS OF 3/32" THICK STEEL REINFORCEMENT PLATES



ELASTOMERIC BEARING MAKEUP

SCALE 3" = 1'-0"

PROJECT NAME: BETHEL  
PROJECT NUMBER: BRP 022-1(14)

FILE NAME: s78f16lbrg.dgn PLOT DATE: 20-MAY-2011  
PROJECT LEADER: M. EVANS-MONGEON DRAWN BY: M. LONGSTREET  
DESIGNED BY: S. SCRIBNER CHECKED BY: S. SCRIBNER  
APPROACH SPAN PIER FIXED BEARING DETAILS SHEET 72 OF 148