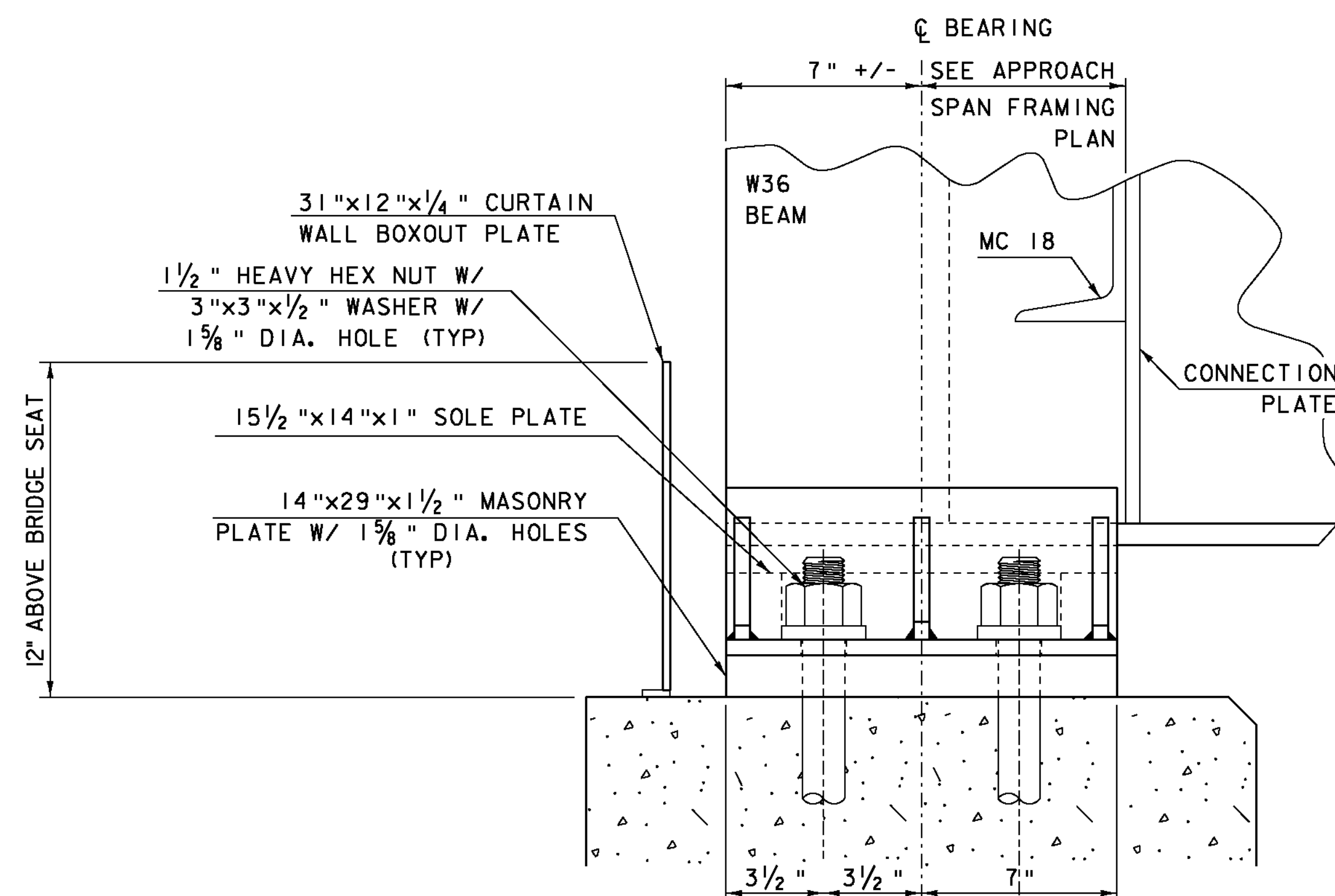
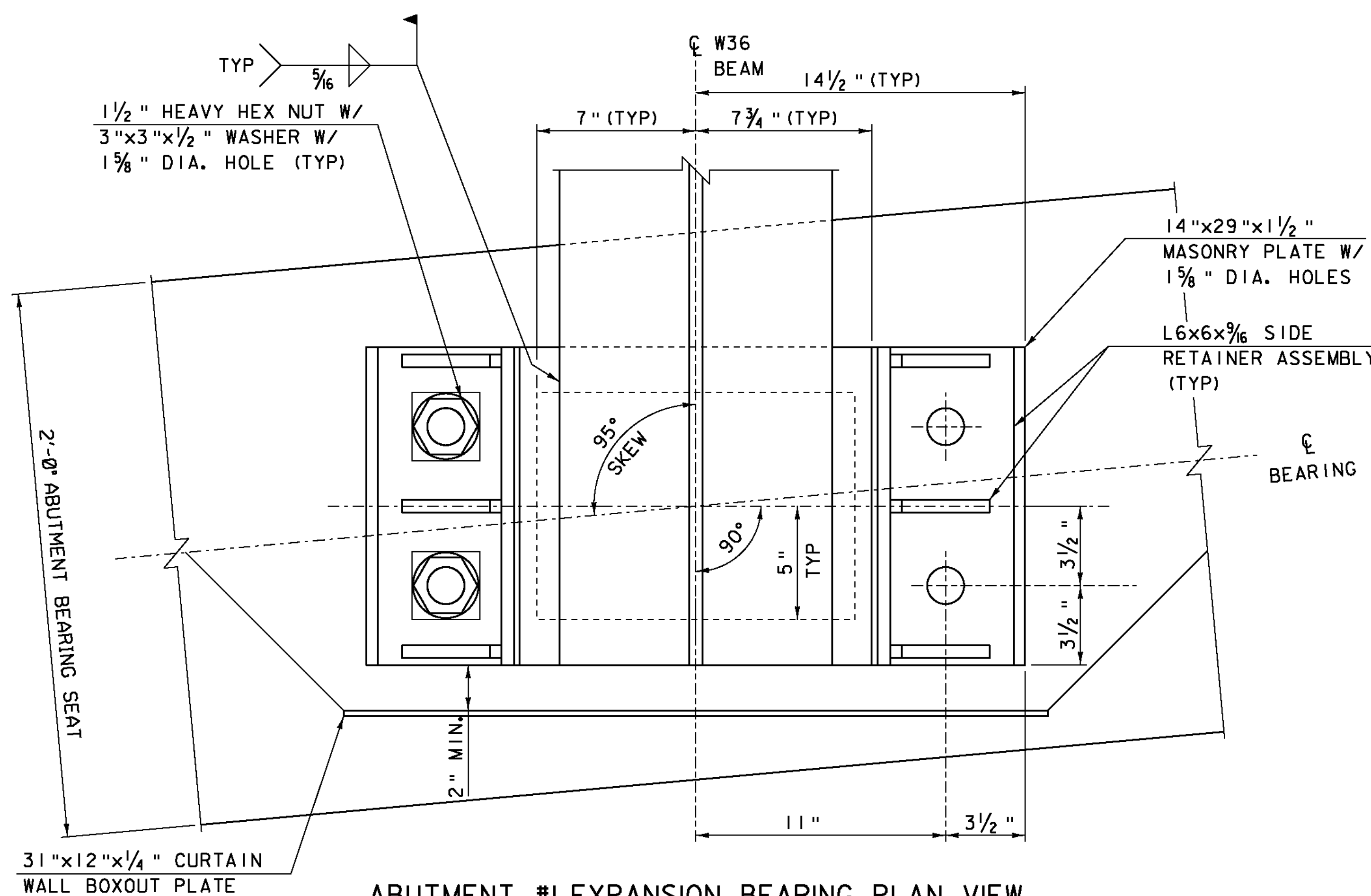


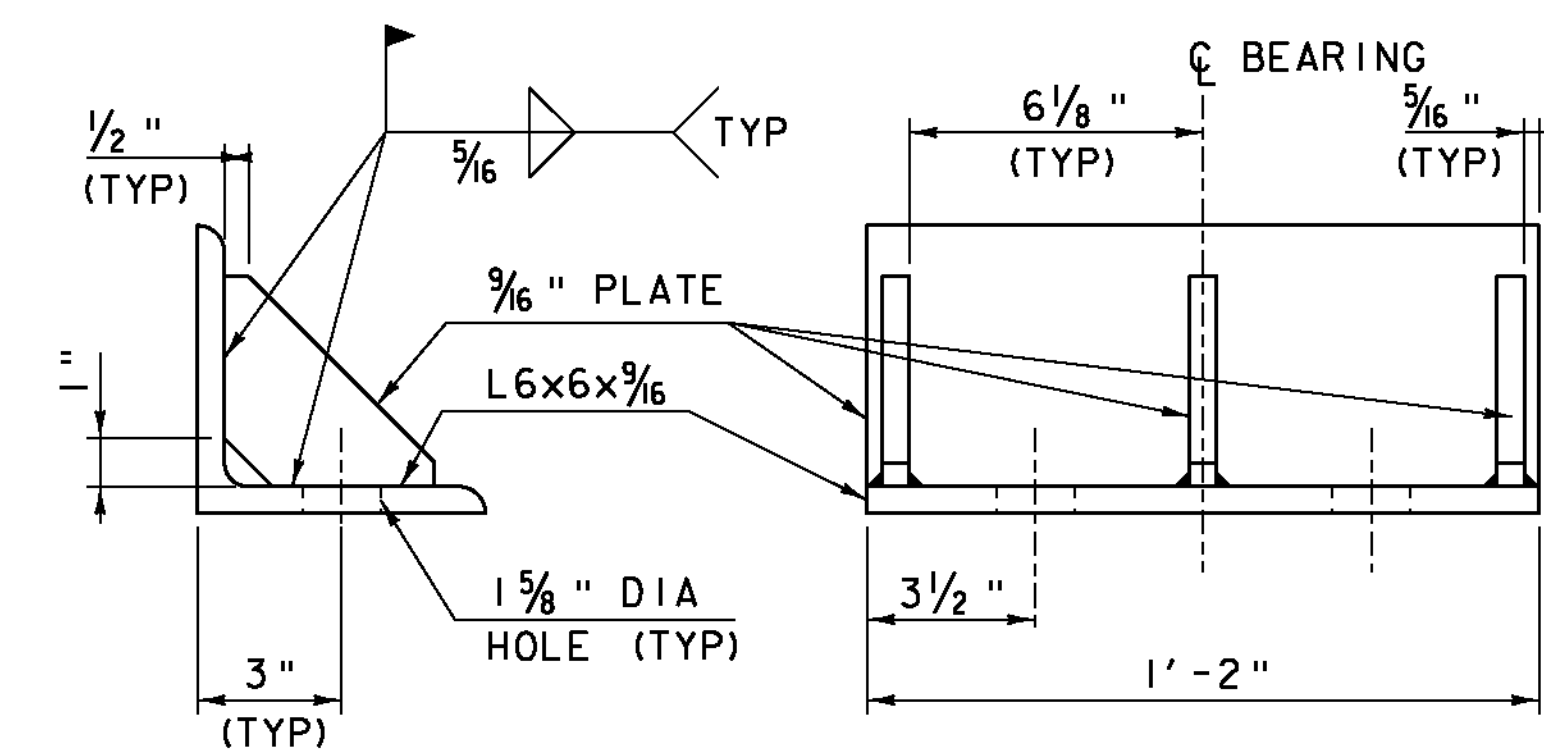
ABUTMENT #1 EXPANSION BEARING END ELEVATION
SCALE 3' = 1'-0"



ABUTMENT #1 EXPANSION BEARING SIDE ELEVATION
SCALE 3' = 1'-0"



ABUTMENT #1 EXPANSION BEARING PLAN VIEW
SCALE 3' = 1'-0"



SIDE RETAINER DETAIL
SCALE 3' = 1'-0"

PROJECT NAME: BETHEL
PROJECT NUMBER: BRF 022-1(14)

FILE NAME: s78f16lbrg.dgn
PROJECT LEADER: M. EVANS-MONGEON
DESIGNED BY: S. SCRIBNER
ABUTMENT #1 EXPANSION BEARING DETAILS

PLOT DATE: 20-MAY-2011
DRAWN BY: M. LONGSTREET
CHECKED BY: S. SCRIBNER
SHEET 71 OF 148