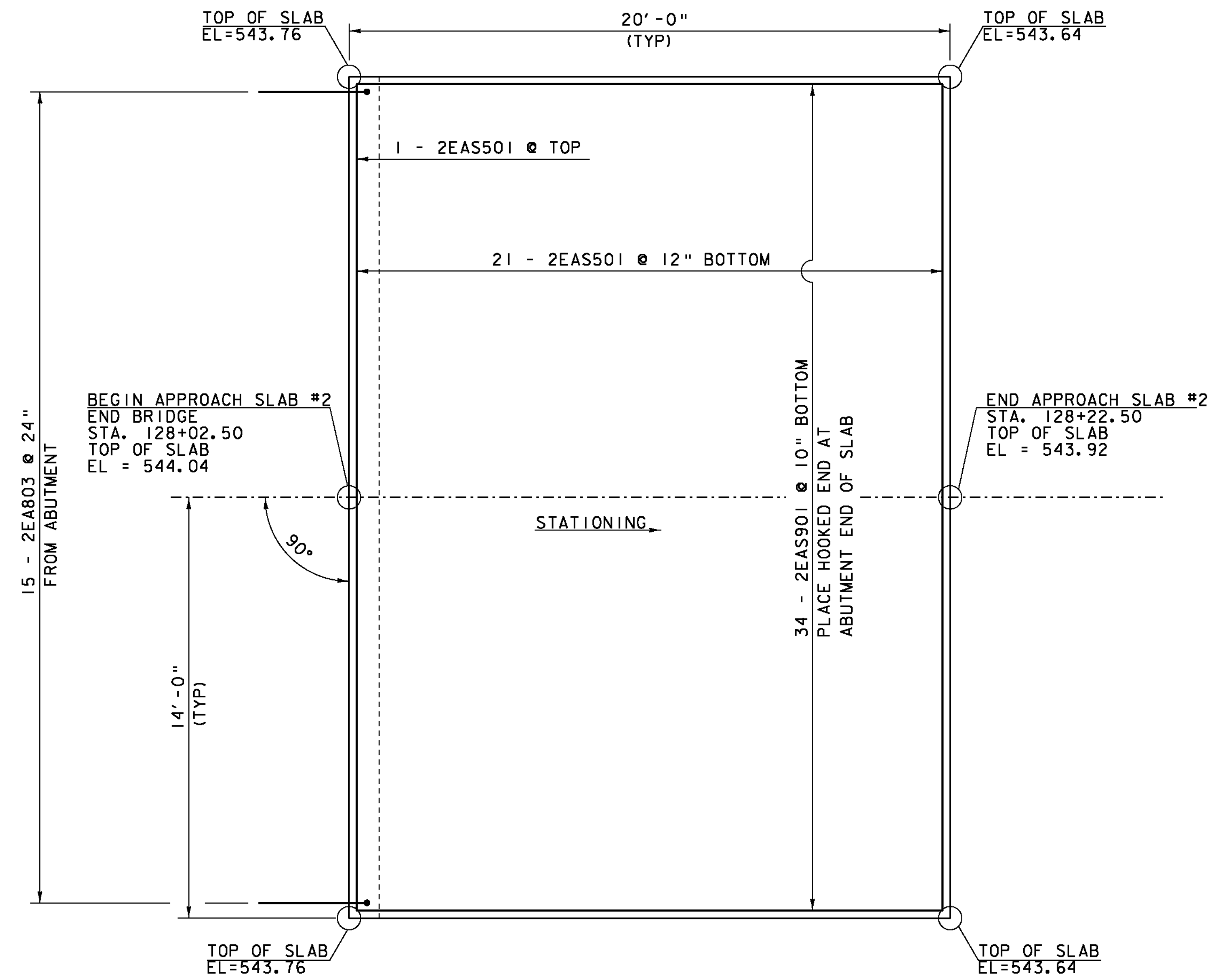


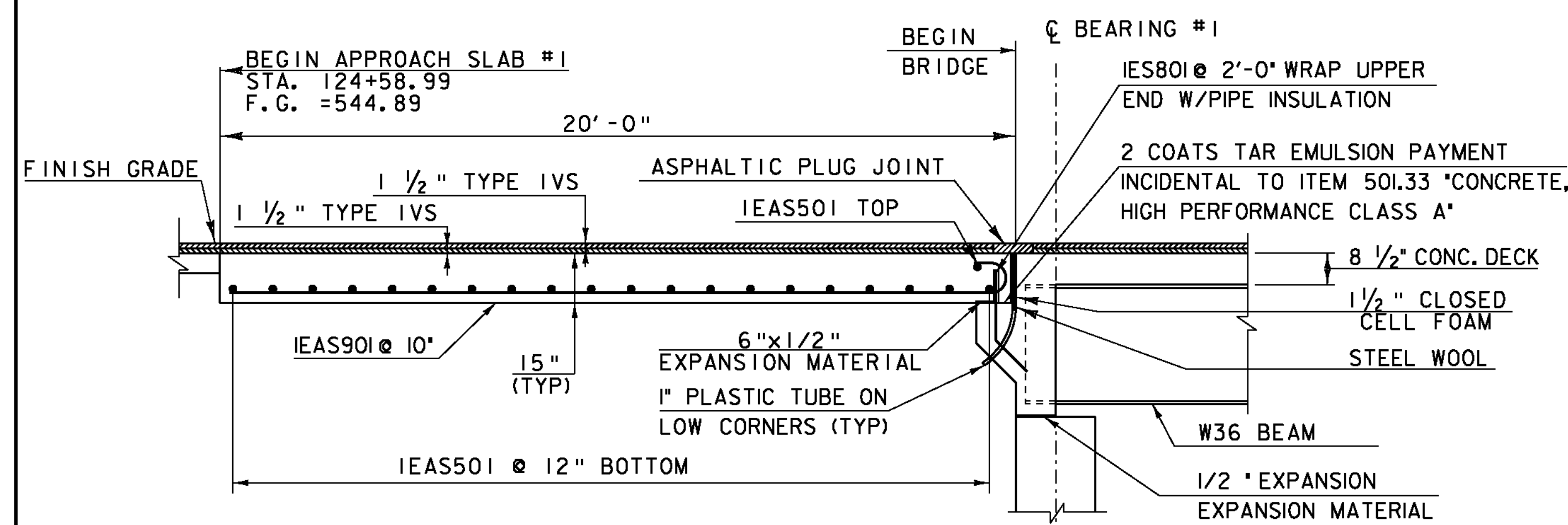
APPROACH SLAB NO. 1 PLAN

SCALE 3/8" = 1'-0"



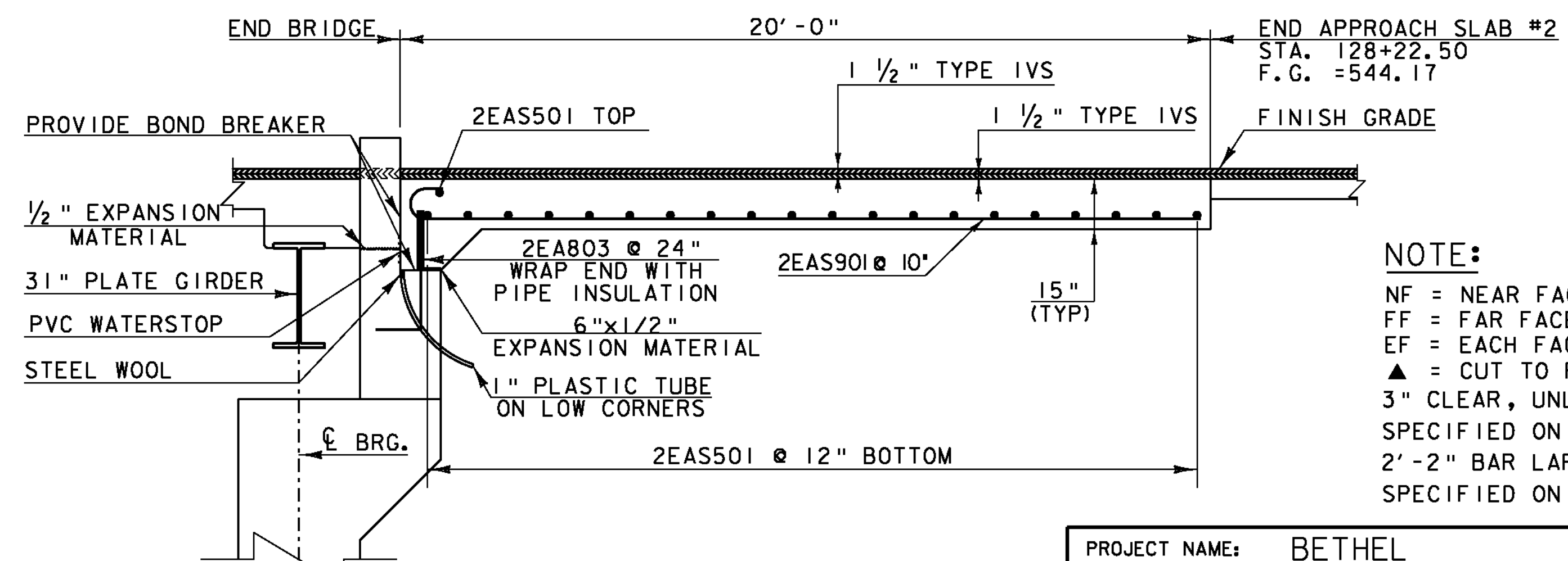
APPROACH SLAB NO. 2 PLAN

SCALE 3/8" = 1'-0"



APPROACH SLAB NO. 1 DETAIL

SCALE 3/8" = 1'-0"



APPROACH SLAB NO. 2 DETAIL

SCALE 3/8" = 1'-0"

NOTE:
 NF = NEAR FACE
 FF = FAR FACE
 EF = EACH FACE
 ▲ = CUT TO FIT IN FIELD
 3" CLEAR, UNLESS OTHERWISE SPECIFIED ON THE PLANS.
 2'-2" BAR LAP UNLESS OTHERWISE SPECIFIED ON THE PLANS.

PROJECT NAME:	BETHEL	FILE NAME:	s78f16isub2.dgn	PLOT DATE:	20-MAY-2011
PROJECT NUMBER:	BRF 022-1(14)	PROJECT LEADER:	M. EVANS-MONGEON	DRAWN BY:	S. SCRIBNER
		DESIGNED BY:	N. VANDENBERG	CHECKED BY:	M. LONGSTREET
		APPROACH SLAB 1 & 2 DETAILS			SHEET 70 OF 148