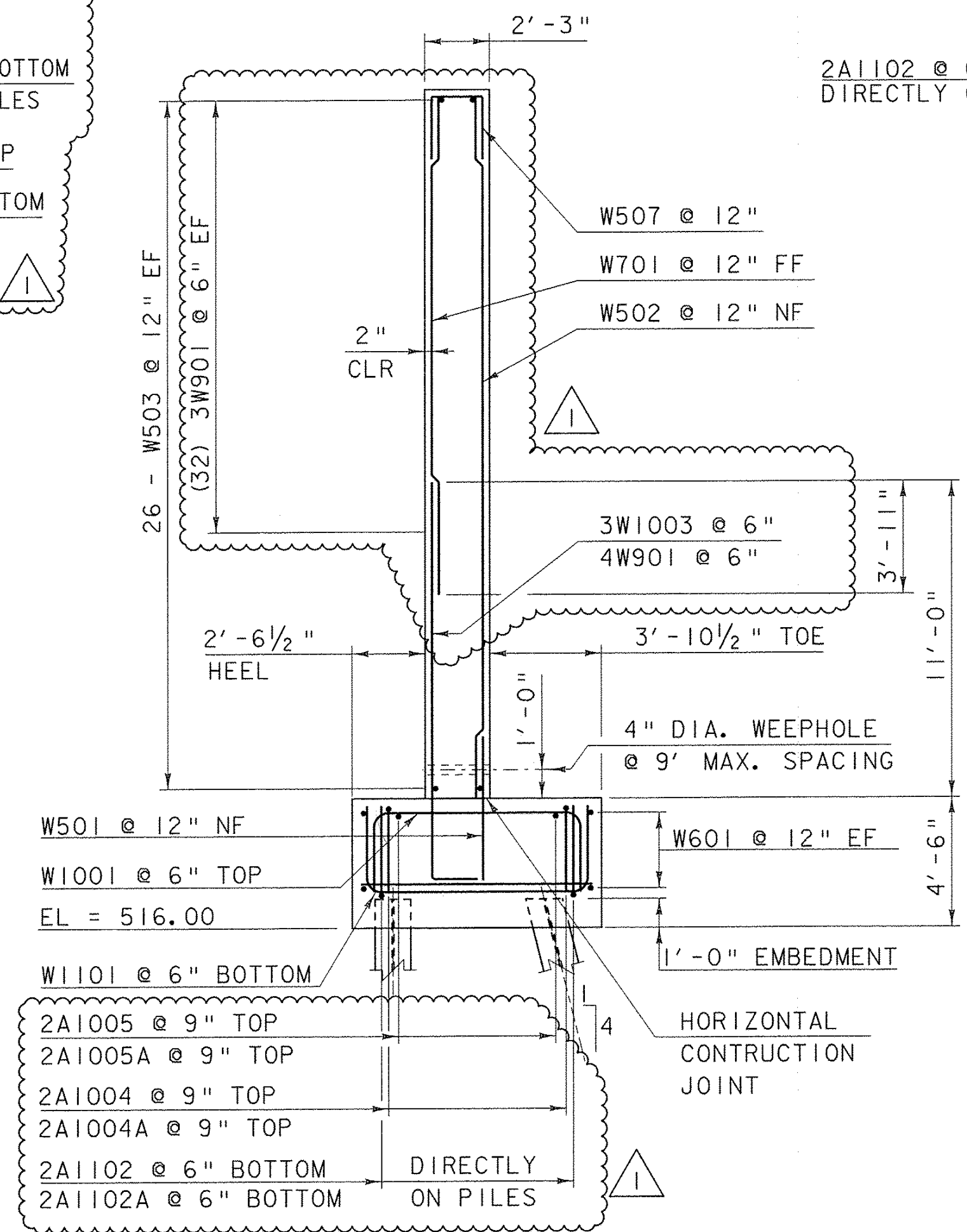
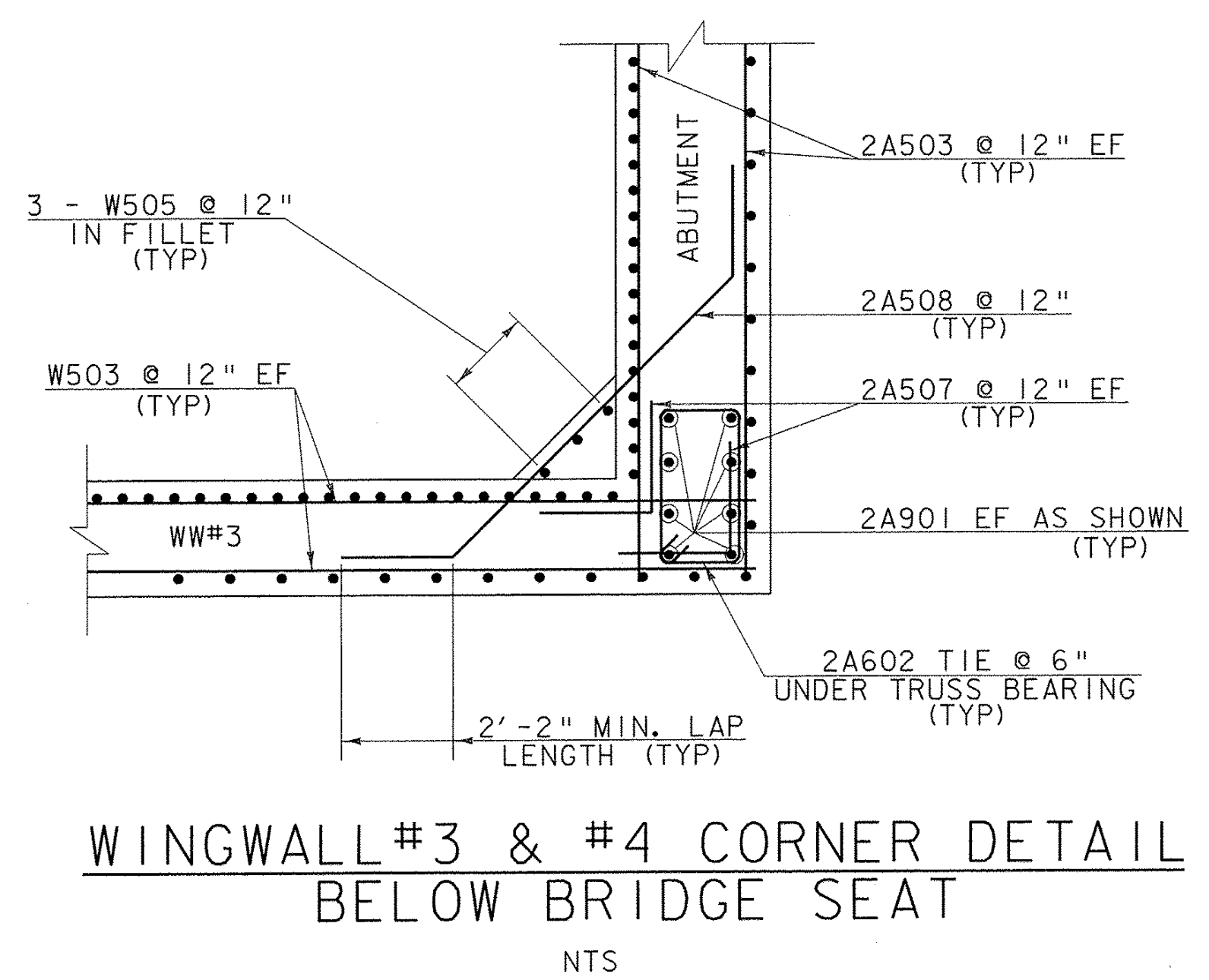


** THESE ELEVATIONS MAY HAVE TO BE ADJUSTED TO ACCOMMODATE THE ACTUAL BEARINGS FURNISHED. IT IS THE RESPONSIBILITY OF THE CONTRACTOR TO COORDINATE ANY CHANGES IN THE BEARINGS WHICH MAY AFFECT THE BEARING SEAT ELEVATIONS.



NOTE: SEE WING WALL 3 ELEVATION FOR PLACEMENT OF 3W1002, 3W1102

NOTE:
NF = NEAR FACE
FF = FAR FACE
EF = EACH FACE
▲ = CUT TO FIT IN FIELD
3" CLEAR, UNLESS OTHERWISE SPECIFIED ON THE PLANS.
2'-2" BAR LAP UNLESS OTHERWISE SPECIFIED ON THE PLANS.

REVISION	DATE	DESCRIPTION	BY
1	01-27-2012	MODIFY WW3 FTG, REMOVE (4) PILES, RELOCATE PILE #3, CANTILEVER WW3	MCL

PROJECT NAME:	BETHEL	PLOT DATE:	30-JAN-2012
PROJECT NUMBER:	BRF 022-1(14)	DRAWN BY:	S. SCRIBNER
FILE NAME:	s78f161sub2.dgn	CHECKED BY:	S. SCRIBNER
PROJECT LEADER:	M. EVANS-MONGEON	WINGWALL 3 & 4 DETAILS	SHEET 68 OF 148