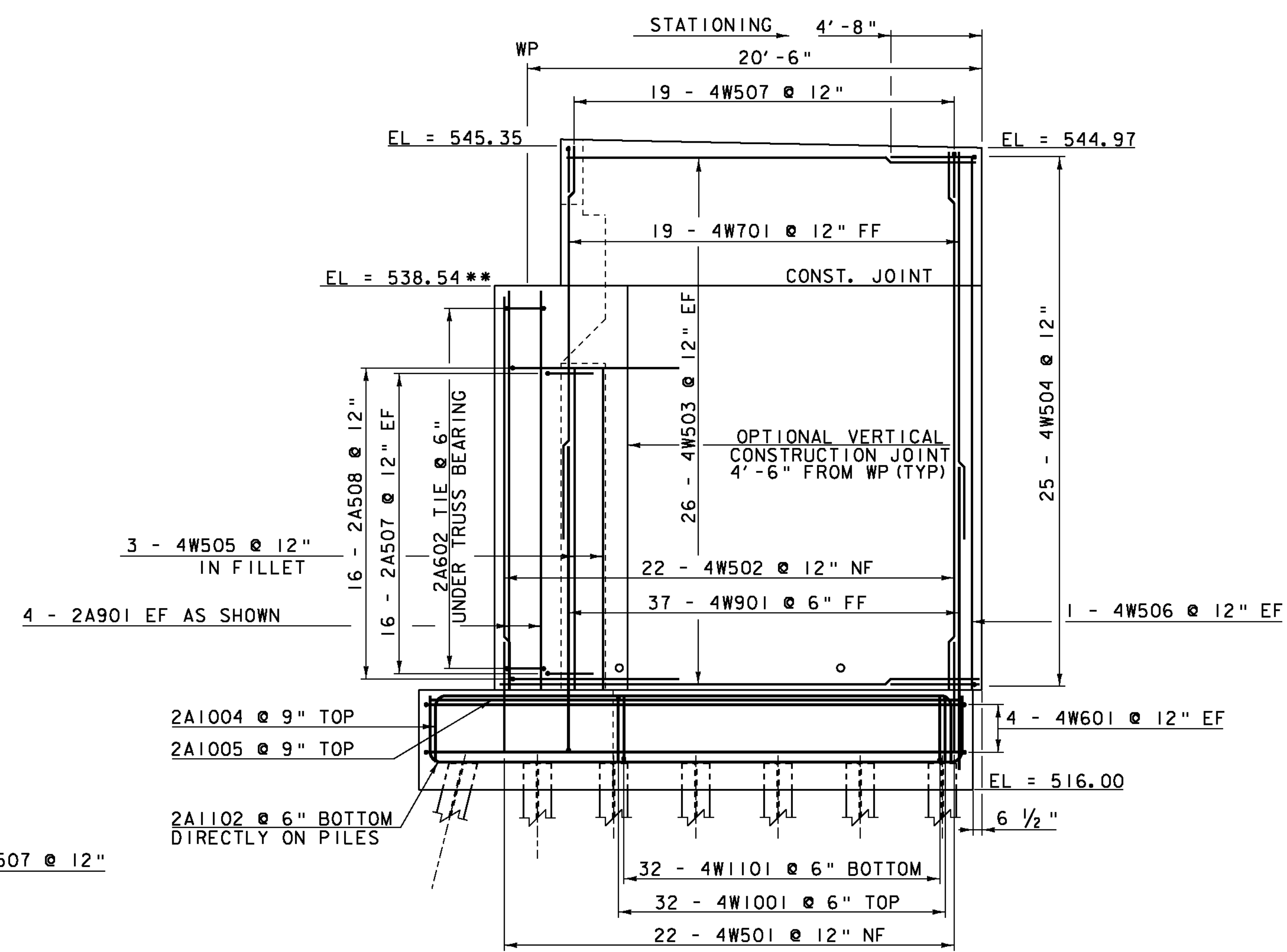


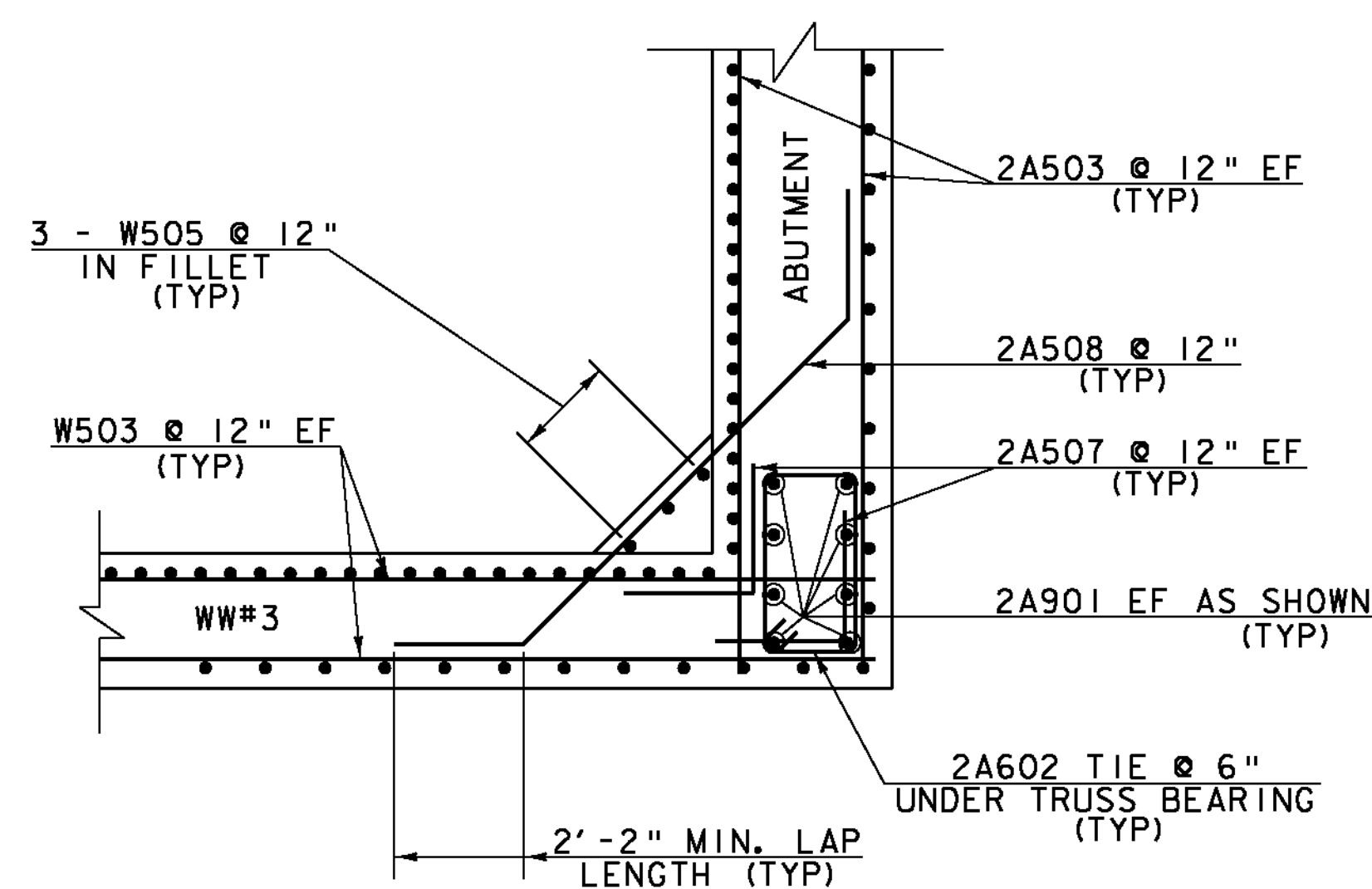
WINGWALL #3 ELEVATION VIEW

SCALE 1/4" = 1'-0"



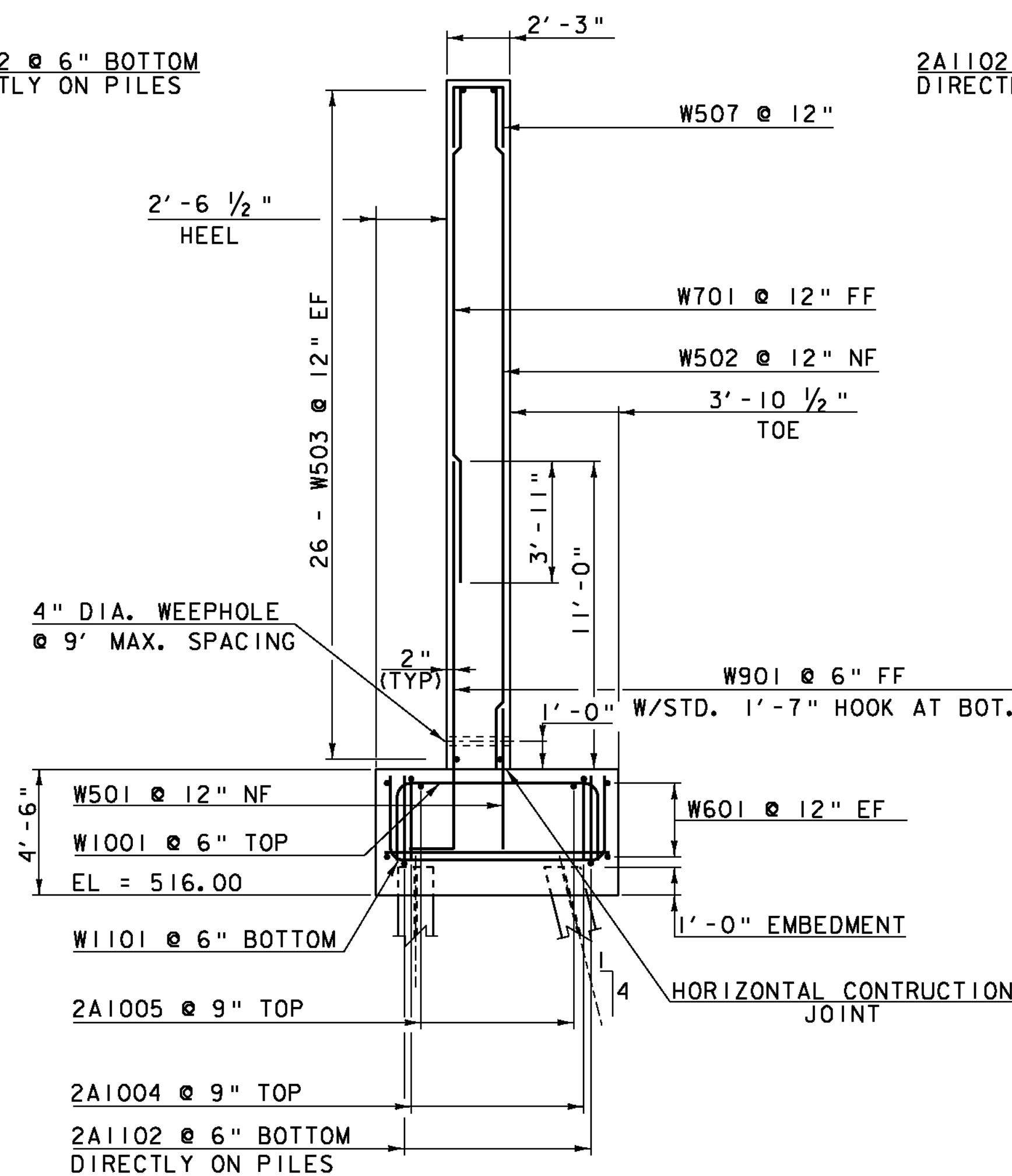
WINGWALL #4 ELEVATION VIEW

SCALE 1/4" = 1'-0"



WINGWALL #3 & #4 CORNER DETAIL  
BELOW BRIDGE SEAT

NTS



WINGWALL #3&#4 TYPICAL

SCALE 1/4" = 1'-0"

\*\* THESE ELEVATIONS MAY HAVE TO BE ADJUSTED TO ACCOMMODATE THE ACTUAL BEARINGS FURNISHED. IT IS THE RESPONSIBILITY OF THE CONTRACTOR TO COORDINATE ANY CHANGES IN THE BEARINGS WHICH MAY AFFECT THE BEARING SEAT ELEVATIONS.

NOTE:

- NF = NEAR FACE
- FF = FAR FACE
- EF = EACH FACE
- ▲ = CUT TO FIT IN FIELD
- 3" CLEAR, UNLESS OTHERWISE SPECIFIED ON THE PLANS.
- 2'-2" BAR LAP UNLESS OTHERWISE SPECIFIED ON THE PLANS.

PROJECT NAME: BETHEL  
PROJECT NUMBER: BRP 022-1(14)

FILE NAME: s78f6lsub2.dgn  
PROJECT LEADER: M. EVANS-MONGEON  
DESIGNED BY: S. SCRIBNER  
WINGWALL 3 & 4 DETAILS

PLOT DATE: 20-MAY-2011  
DRAWN BY: S. SCRIBNER  
CHECKED BY: S. SCRIBNER  
SHEET 68 OF 148