

WW #2 TOP OF WALL ELEVATIONS

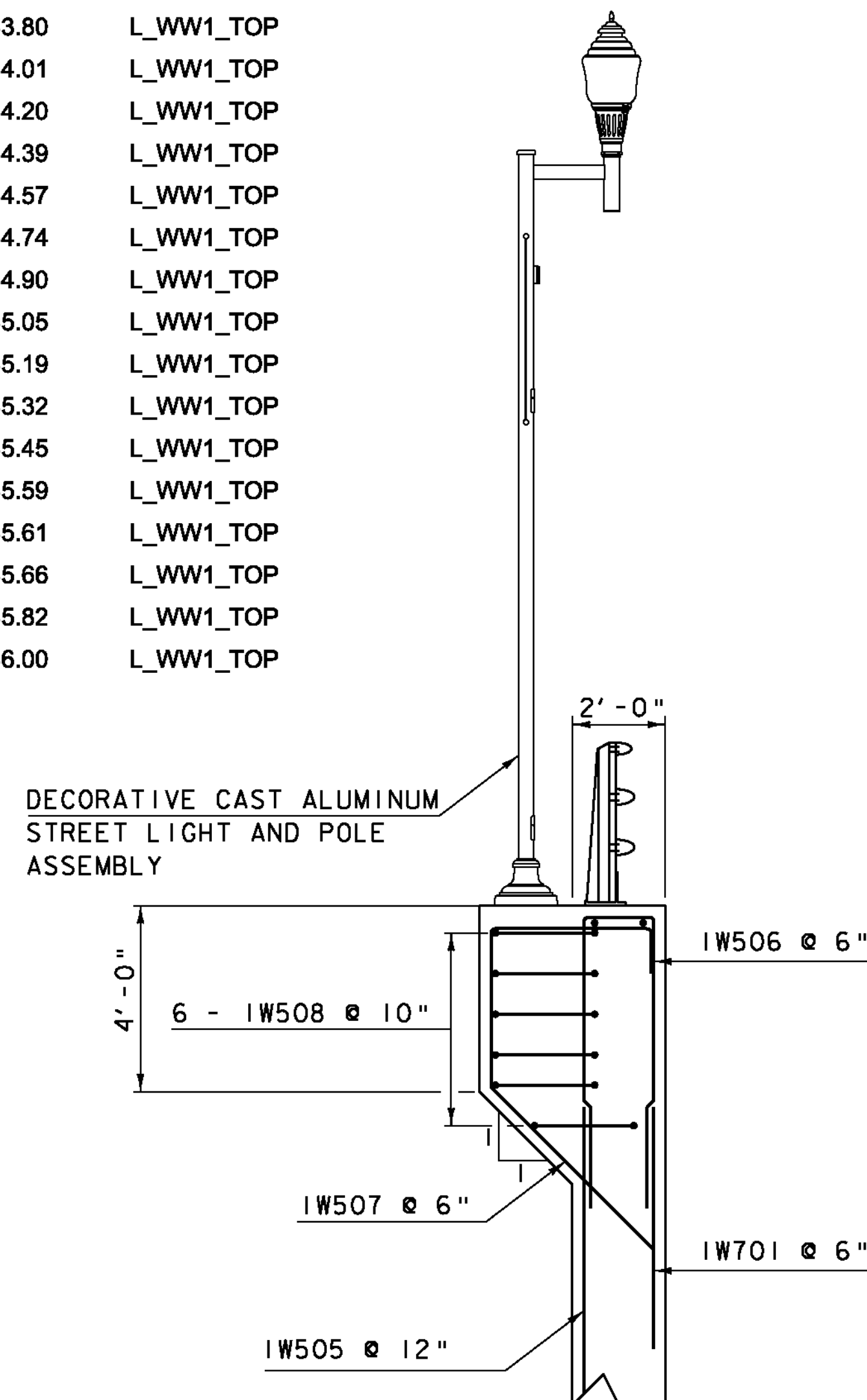
Station Based Offset Elevation Report: WW2

STA	OFFSET	ELEVATION	FEATURE
124+50.00	16.00	544.94	R_WW2_TOP
124+55.00	16.00	545.08	R_WW2_TOP
124+60.00	16.00	545.21	R_WW2_TOP
124+65.00	16.00	545.34	R_WW2_TOP
124+70.00	16.00	545.48	R_WW2_TOP
124+70.55	16.00	545.50	R_WW2_TOP
124+71.55	16.00	545.55	R_WW2_TOP
124+75.00	16.00	545.71	R_WW2_TOP
124+79.00	16.00	545.89	R_WW2_TOP

WW #1 TOP OF WALL ELEVATIONS

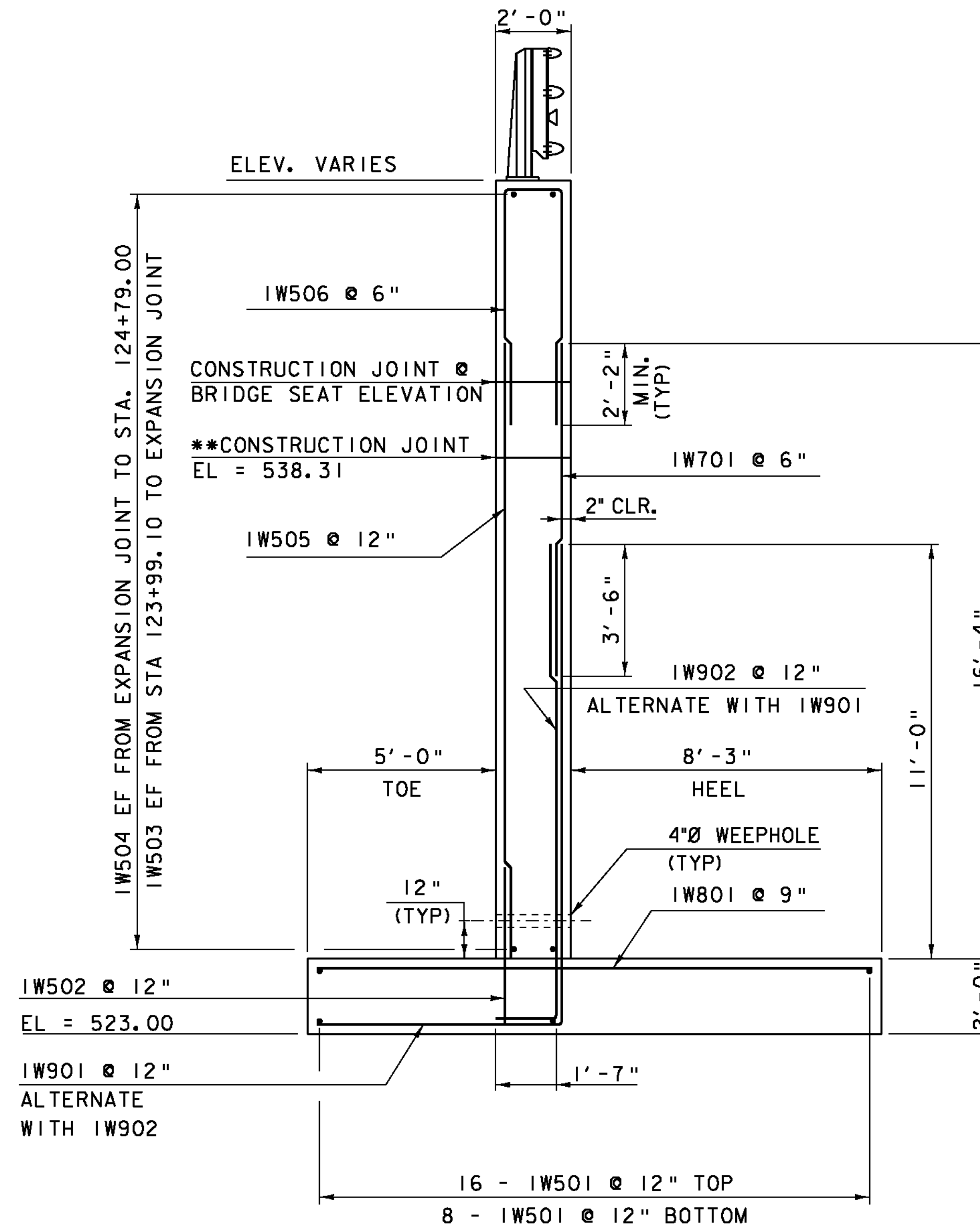
Station Based Offset Elevation Report: WW1

STA	OFFSET	ELEVATION	FEATURE
123+99.10	-21.50	543.10	L_WW1_TOP
124+00.00	-21.50	543.14	L_WW1_TOP
124+05.00	-21.50	543.37	L_WW1_TOP
124+10.00	-21.50	543.59	L_WW1_TOP
124+15.00	-21.50	543.80	L_WW1_TOP
124+20.00	-21.50	544.01	L_WW1_TOP
124+25.00	-21.50	544.20	L_WW1_TOP
124+30.00	-21.50	544.39	L_WW1_TOP
124+35.00	-21.50	544.57	L_WW1_TOP
124+40.00	-21.50	544.74	L_WW1_TOP
124+45.00	-21.50	544.90	L_WW1_TOP
124+50.00	-21.50	545.05	L_WW1_TOP
124+55.00	-21.50	545.19	L_WW1_TOP
124+60.00	-21.50	545.32	L_WW1_TOP
124+65.00	-21.50	545.45	L_WW1_TOP
124+70.00	-21.50	545.59	L_WW1_TOP
124+70.55	-21.50	545.61	L_WW1_TOP
124+71.55	-21.50	545.66	L_WW1_TOP
124+75.00	-21.50	545.82	L_WW1_TOP
124+79.00	-21.50	546.00	L_WW1_TOP



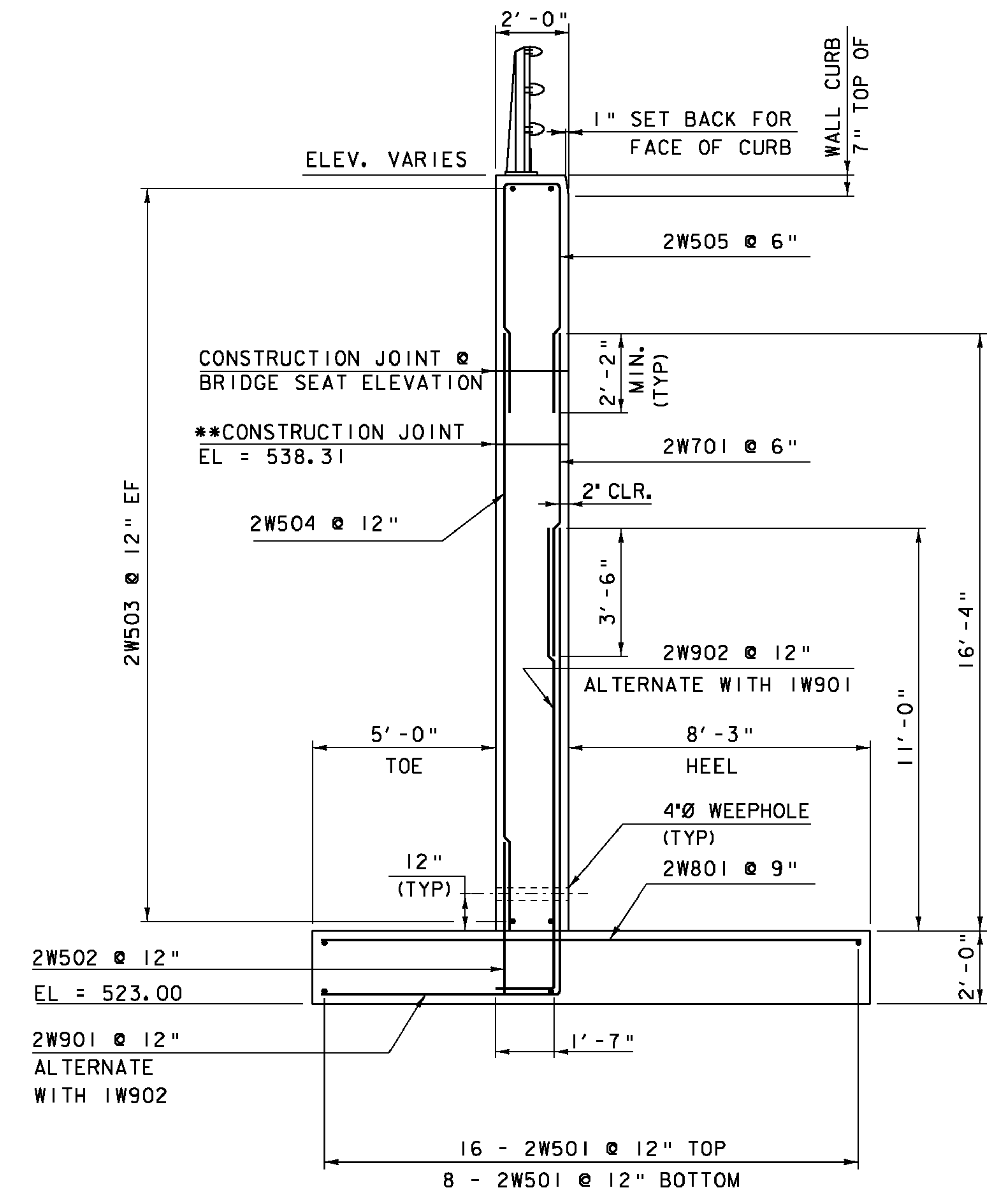
WINGWALL I LIGHTPOLE TYPICAL

SCALE 3/8" = 1'-0"



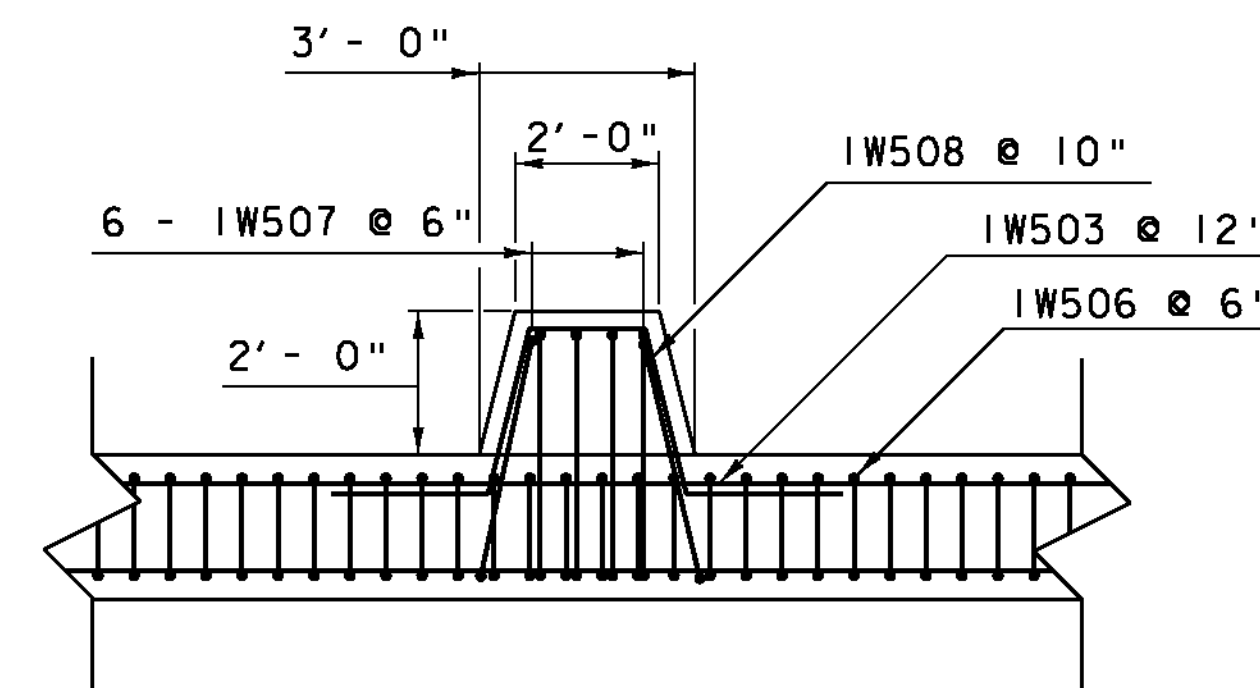
WINGWALL I TYPICAL

SCALE 3/8" = 1'-0"



WINGWALL 2 TYPICAL

SCALE 3/8" = 1'-0"



WINGWALL I LIGHTPOLE PLAN

SCALE 3/8" = 1'-0"

NOTE:

- NF = NEAR FACE
- FF = FAR FACE
- EF = EACH FACE
- ▲ = CUT TO FIT IN FIELD
- 3" CLEAR, UNLESS OTHERWISE SPECIFIED ON THE PLANS.
- 2'-2" BAR LAP UNLESS OTHERWISE SPECIFIED ON THE PLANS.

**REFER TO CONCRETE SECTION OF GENERAL NOTES REGARDING CONSTRUCTION JOINT LOCATED AT ELEVATION 538.31 FOR ABUTMENT#1

PROJECT NAME: BETHEL	PLOT DATE: 20-MAY-2011
PROJECT NUMBER: BRF 022-1(14)	DRAWN BY: M. LONGSTREET
FILE NAME: s78f161sub1.dgn	CHECKED BY: S. SCRIBNER
PROJECT LEADER: M. EVANS-MONGEON	SHEET 61 OF 148
DESIGNED BY: S. SCRIBNER	
WINGWALL #1 & #2 TYPICALS & DETAILS	