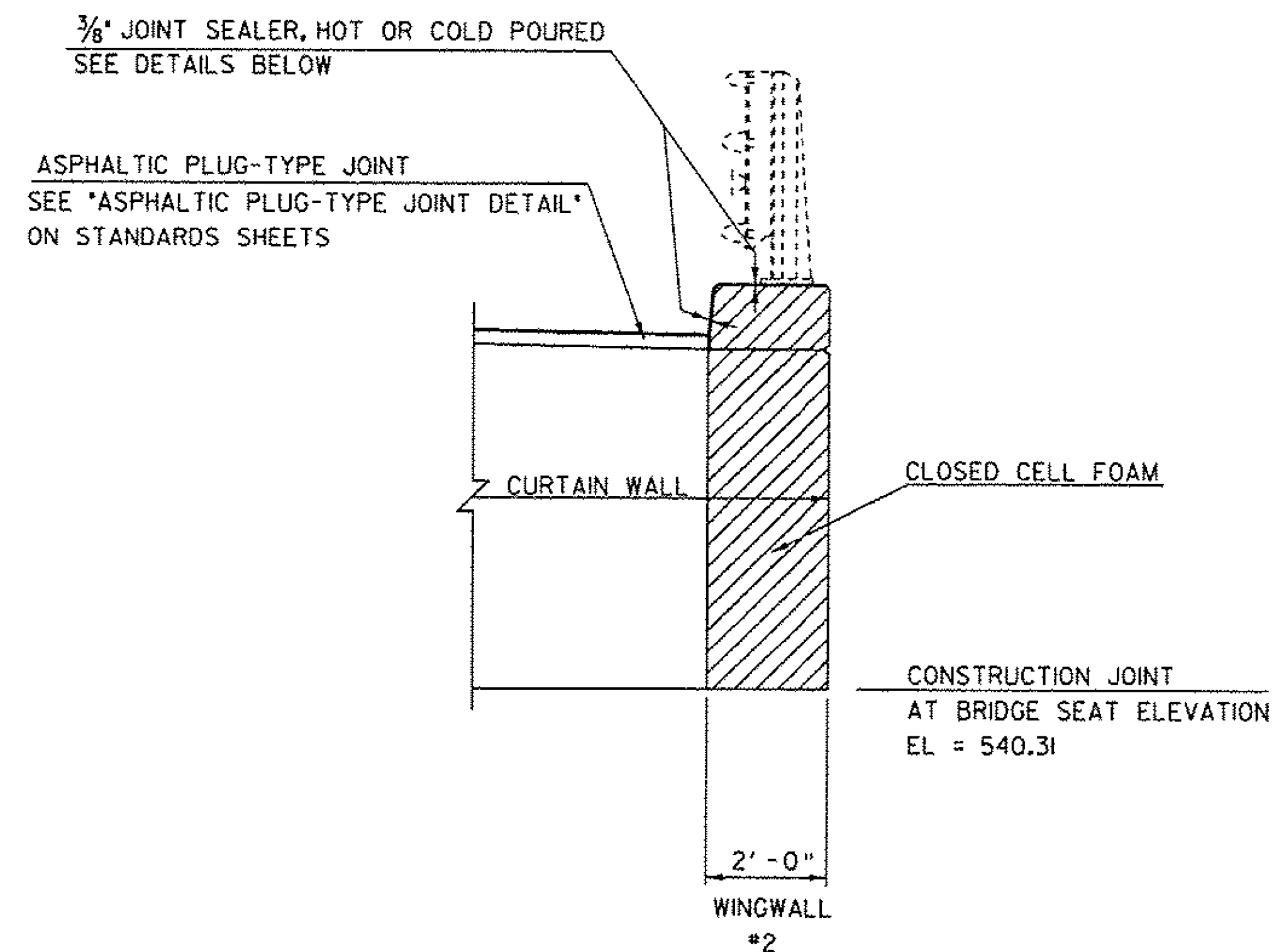


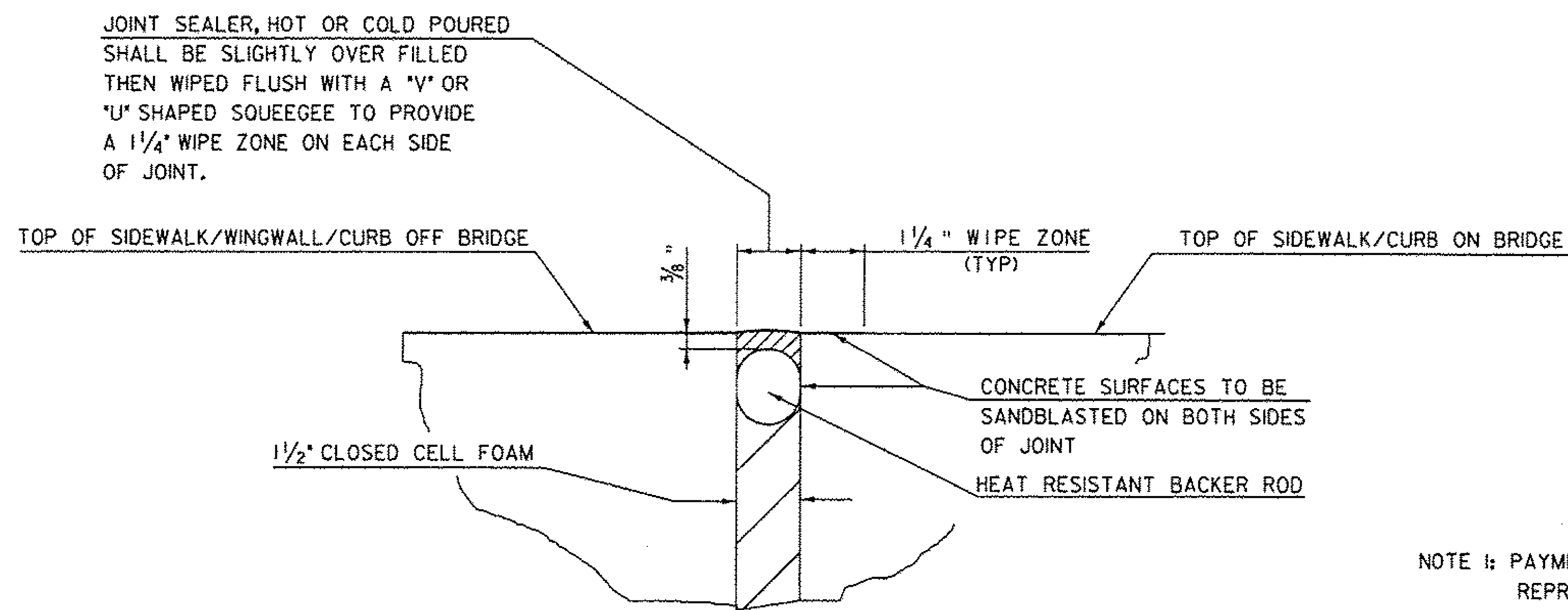
SECTION A-A

SCALE 1/2" = 1'-0"



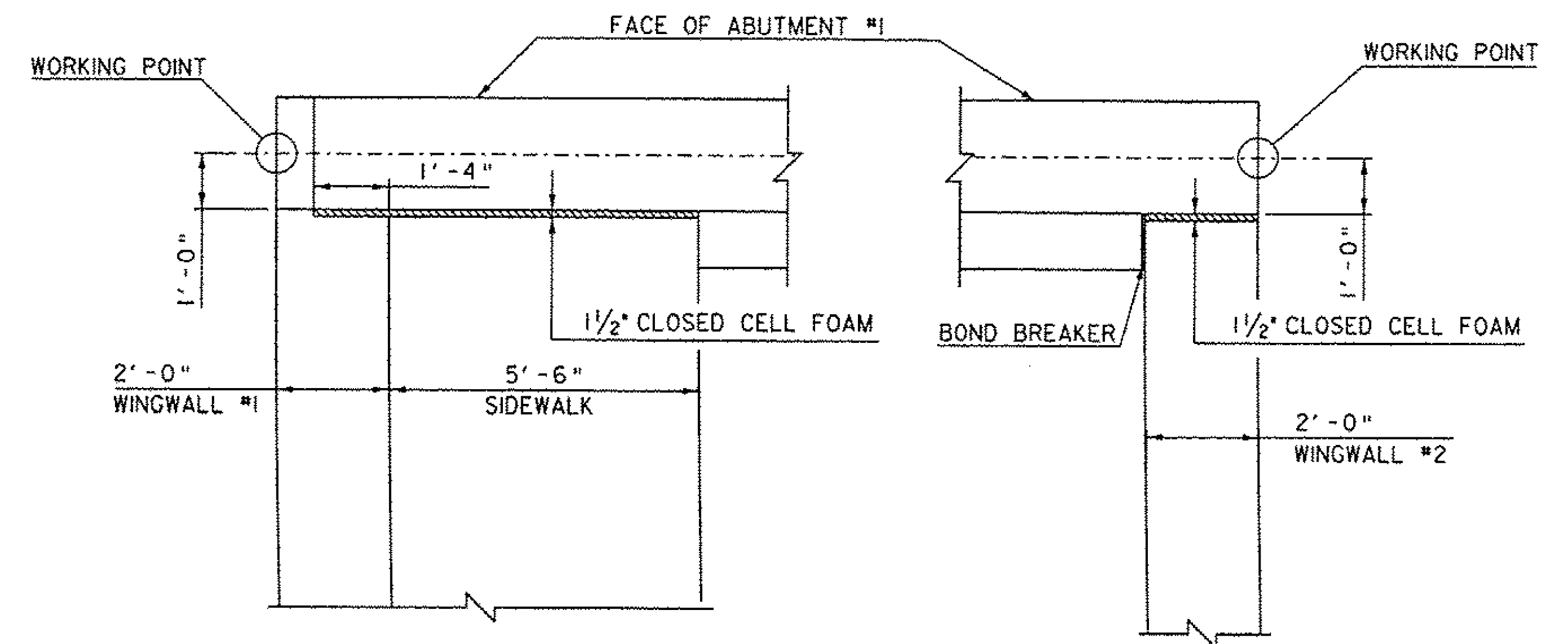
SECTION B-B

SCALE 1/2" = 1'-0"



JOINT DETAIL

NTS



CLOSED CELL FOAM DETAIL PLAN VIEW

NTS

NOTE 1: PAYMENT FOR MATERIALS NEEDED FOR JOINTS
REPRESENTED ON THIS SHEET SHALL BE
INCIDENTAL TO ADJACENT CONCRETE.

THIS SHEET IS A REVISION TO "ABUTMENT #1 PLAN" SHEET

REVISION	DATE	DESCRIPTION	BY
1	6-30-2011	NEW SHEET, JOINT EXPANSION MATERIAL & DETAILS, ABUTMENT #1	GNR

PROJECT NAME: BETHEL
PROJECT NUMBER: BRF 022-(14)

FILE NAME: s78f161subl.252/236.qn
PROJECT LEADER: M. EVANS-MONGEON
DESIGNED BY: S. SCRIBNER
ADDENDUM #1 DETAILS

PLOT DATE: 01-JUL-2011
DRAWN BY: G. ROKES
CHECKED BY: S. SCRIBNER
SHEET 59a OF 148