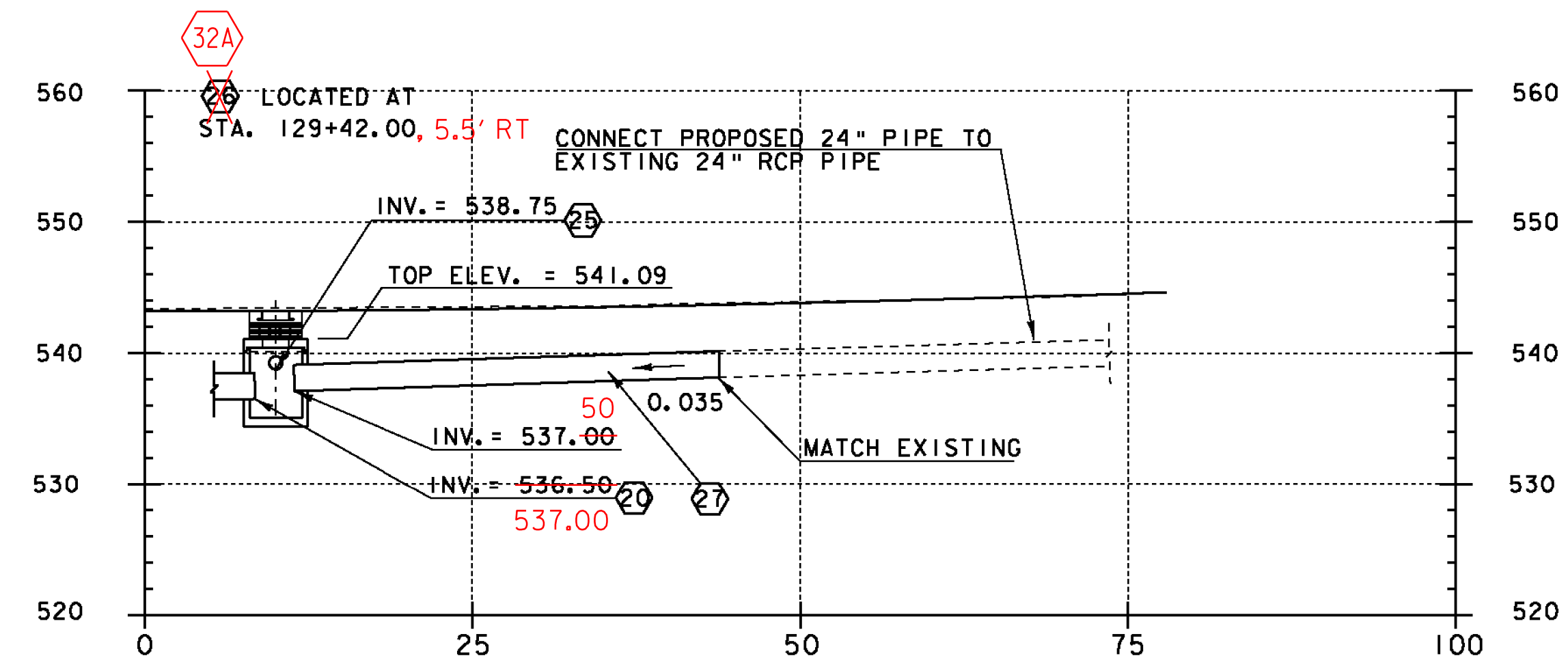
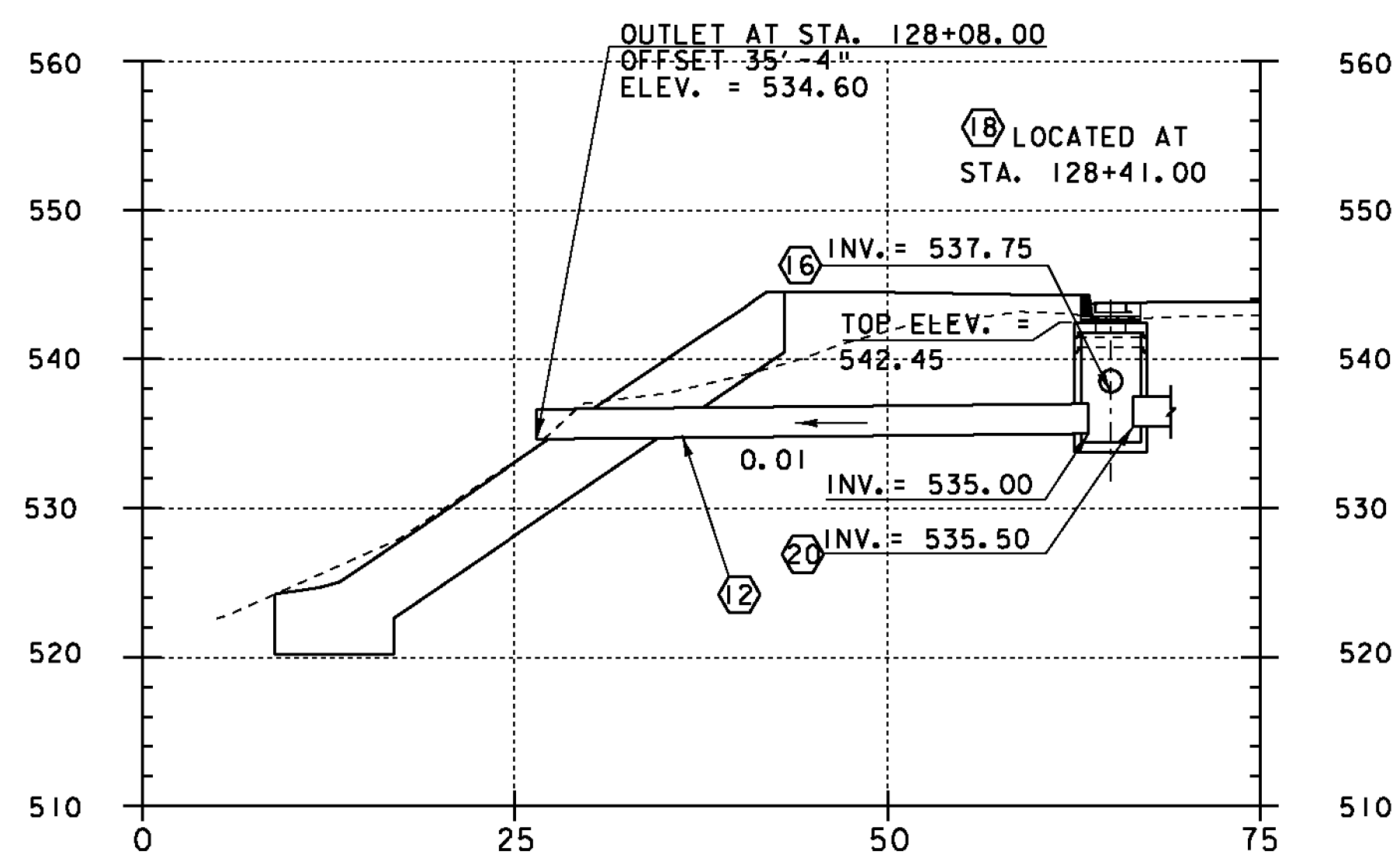


PIPE PROFILE FROM
STA. 128+41.00 RT TO 129+42.00 RT



PIPE PROFILE FROM
STA. 129+42.00 RT TO 129+75.00 RT



PIPE PROFILE FROM
STA. 128+08.00 RT TO 128+41.00 RT

- ⑫ NEW CPEP/CAAP/PCCSP
DIAMETER = 24"
LENGTH = ~~38'-0"~~ 40'-0"
- ⑬ NEW CPEP/CAAP/PCCSP
DIAMETER = 18"
LENGTH = 23'-0"
- ⑮ NEW CB
- ⑳ NEW CPEP/CAAP/PCCSP
DIAMETER = 24"
LENGTH = ~~96'-6"~~ 88'-0"
- ㉑ NEW CPEP/CAAP/PCCSP
DIAMETER = 12"
LENGTH = ~~23'-0"~~ 16'-0"
- ⑳ NEW CB AT STA. 129+33.00 RT
- ㉒ NEW MH AT STA. 129+41 RT, 5.5'
- ㉓ NEW CPEP/CAAP/PCCSP
DIAMETER = 24"
LENGTH = ~~32'-5"~~ 30'-0"
TO BE CONNECTED TO CUT PIPE #31
W/FURNCO SLEEVE CONNECTING CPEP TO
EXISTING RCP
- ㉔ NEW 24" x 5' CPEP
STA. 129+41 RT ~ 129+33 RT

SEE CROSS SECTIONS FOR PROFILES OF PIPES 8, 16 AND 25

CB = DENOTES PRECAST REINFORCED CONCRETE CATCH BASIN
MH = DENOTES PRECAST REINFORCED CONCRETE MANHOLE W/CAST IRON COVER



PROJECT NAME:	BETHEL
PROJECT NUMBER:	BRF 022-1(14)
FILE NAME:	78-fig1\STR\sf161xs.dgn
PROJECT LEADER:	M. EVANS-MONGEON
DESIGNED BY:	S. SCRIBNER
PIPE PROFILES SHEET 2	
PLOT DATE:	20-MAY-2011
DRAWN BY:	G. ROKES
CHECKED BY:	S. SCRIBNER
SHEET	26 OF 148