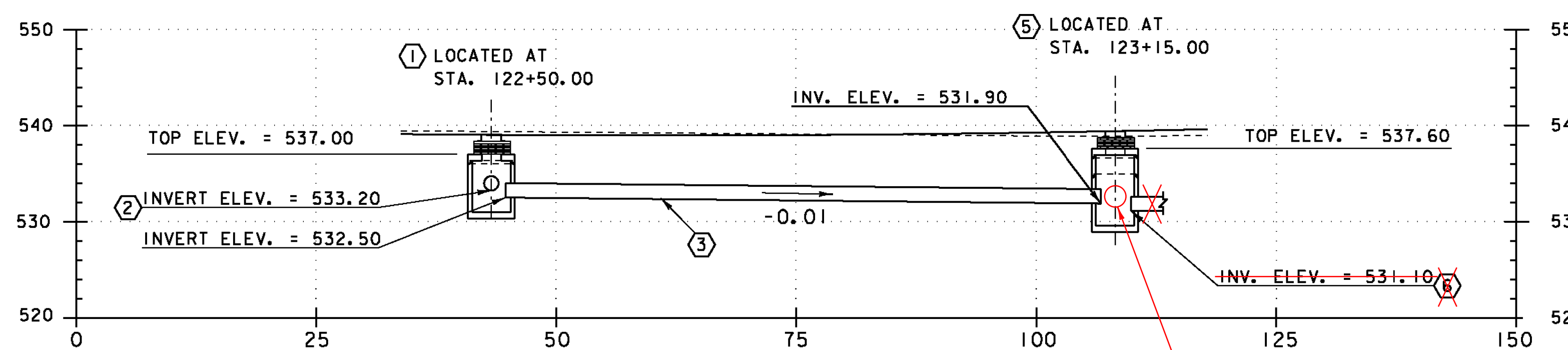
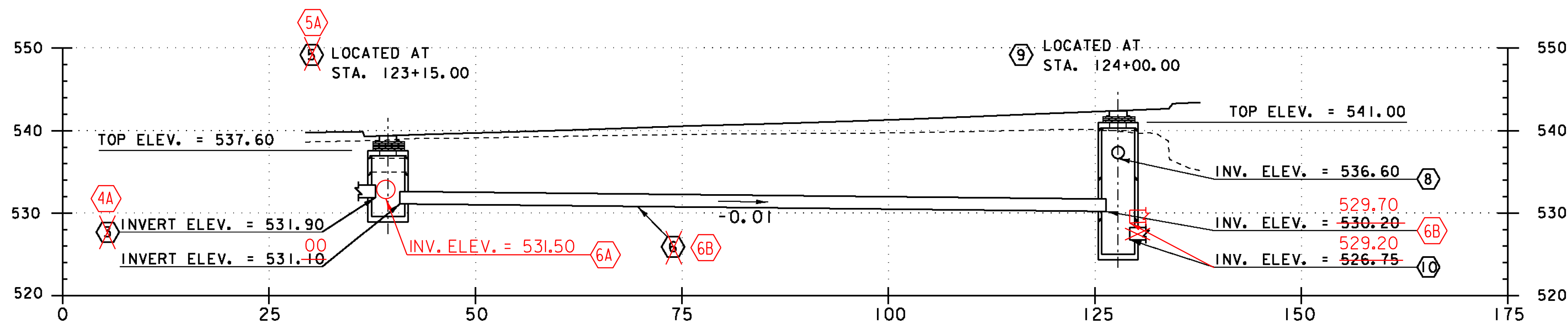


PIPE PROFILE FROM
STA. 122+50.00 LT TO 122+67.00 RT



PIPE PROFILE FROM
STA. 122+50.00 LT TO 123+15.00 LT



PIPE PROFILE FROM
STA. 123+15.00 ~~LT~~ TO 124+00.00 RT
~~RT~~

- ① NEW CB
- ~~NEW CPEP/CAAP/PCCSP~~
- ~~② DIAMETER = 18"~~
- ~~LENGTH = 28'-0"~~
- NEW CPEP/CAAP/PCCSP
- ③ DIAMETER = 18"
- LENGTH = ~~62'-6"~~ 60'-0"
- ④ NEW CB
- ⑤ NEW CB
- NEW CPEP/CAAP/PCCSP
- ⑥ DIAMETER = 18"
- LENGTH = ~~85'-6"~~ 22'-4"
- NEW CPEP/CAAP/PCCSP
- ⑧ DIAMETER = 18"
- LENGTH = 23'-0"
- ⑨A & ⑨ NEW CB
- NEW CPEP/CAAP/PCCSP
- ⑩A & ⑩ DIAMETER = 18"
- LENGTH = ~~187'-0"~~ 182'-0"

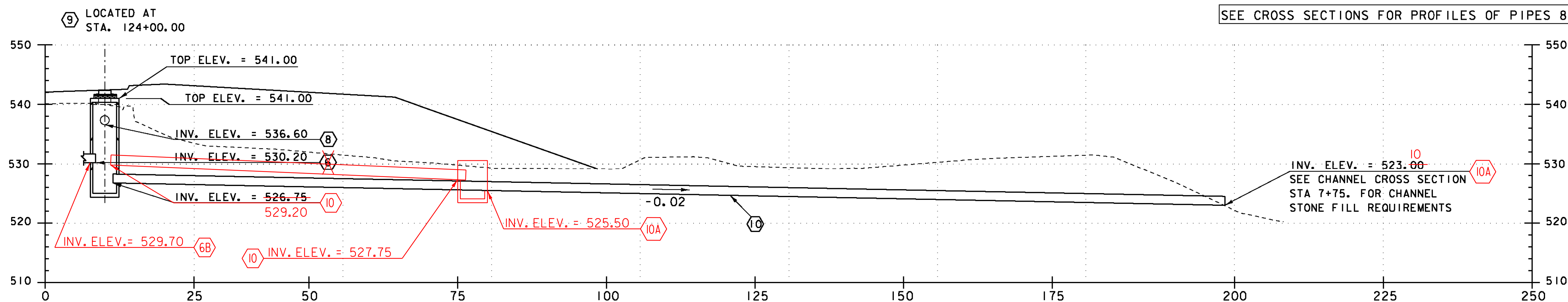
④A NEW 18" x 54'

⑤A NEW CB

⑥B NEW 18" x 82'

CB = DENOTES PRECAST REINFORCED CONCRETE CATCH BASIN

SEE CROSS SECTIONS FOR PROFILES OF PIPES 8, 16 AND 25



PIPE PROFILE FROM
STA. 124+00.00 RT TO 125+95.90 RT



PROJECT NAME: BETHEL
PROJECT NUMBER: BRF 022-I(14)

FILE NAME: 78fig\STR\sf16ixs.dgn
PROJECT LEADER: M. EVANS-MONGEON
DESIGNED BY: S. SCRIBNER
PIPE PROFILES SHEET 1

PLOT DATE: 20-MAY-2011
DRAWN BY: G. ROKES
CHECKED BY: S. SCRIBNER
SHEET 25 OF 148