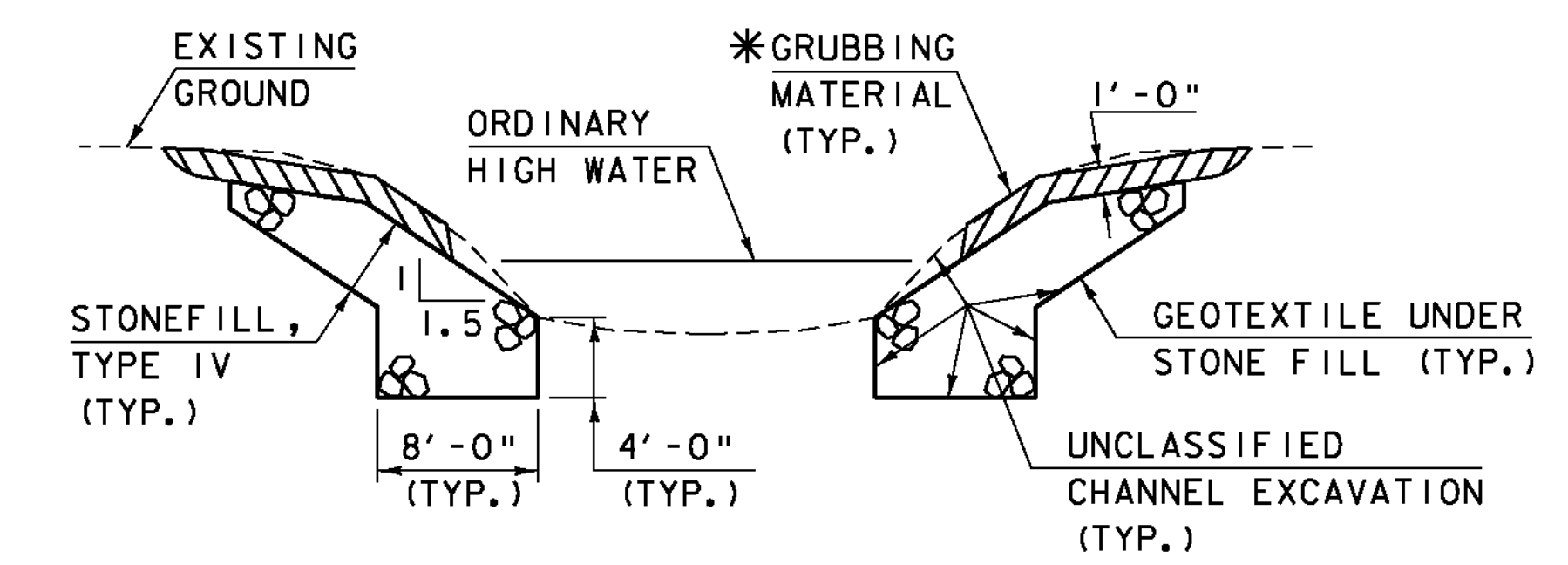
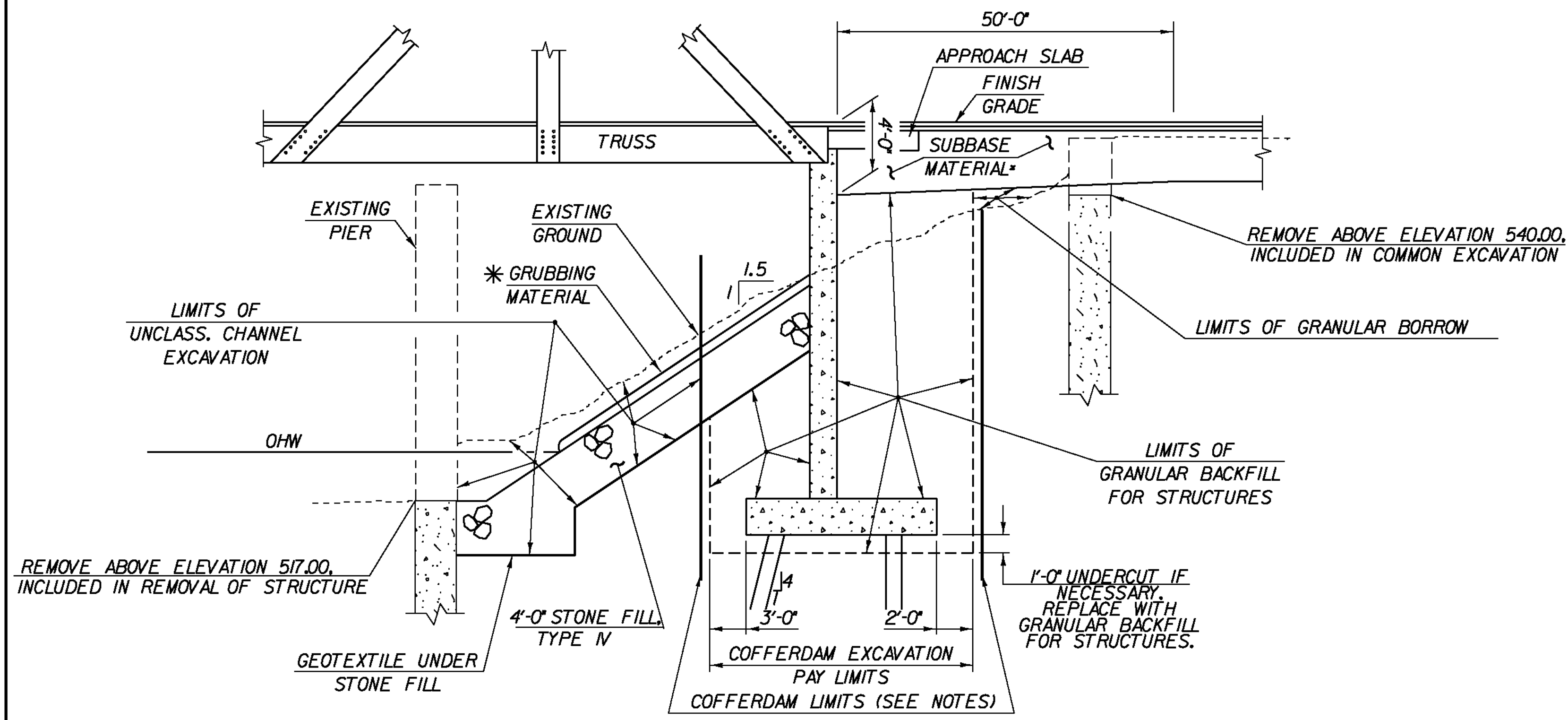


COFFERDAM NOTES:

1. COFFERDAM DIMENSIONS TO BE DETERMINED BY THE CONTRACTOR.
2. THE PAY LIMITS OF EITHER "COFFERDAM EXCAVATION, EARTH AND "COFFERDAM EXCAVATION, ROCK" SHALL BE 2'-0" OUTSIDE THE PERIMETER OF THE FOOTING, UNLESS NOTED OTHERWISE AND FROM BOTTOM OF EXCAVATION UP TO THE EXISTING GROUND OR BOTTOM OF SUBBASE, WHICHEVER IS LOWER.
3. IF A COFFERDAM IS CONSTRUCTED WHICH IS LARGER THAN THE INDICATED COFFERDAM EXCAVATION PAY LIMITS, PAYMENT FOR ALL UNCLASSIFIED CHANNEL EXCAVATION, INCLUDING THAT PORTION WHICH IS INSIDE THE COFFERDAM BUT OUTSIDE THE COFFERDAM PAY LIMITS, WILL BE MADE AT THE CONTRACT UNIT PRICE FOR UNCLASSIFIED CHANNEL EXCAVATION. NO MEASUREMENT AND PAYMENT WILL BE MADE FOR COFFERDAM EXCAVATION AND GRANULAR BACKFILL FOR STRUCTURES OUTSIDE THE PAY LIMITS DEFINED IN NOTE TWO.

* SUBBASE OF DENSE GRADED CRUSHED STONE
 ** ACTUAL LIMITS OF STRUCTURE EXCAVATION SHALL BE DETERMINED BY THE CONTRACTOR. HOWEVER, ONLY THE EXCAVATION BETWEEN THE LIMITS SHOWN WILL BE PAID FOR UNDER THE ITEM 204.25, "STRUCTURE EXCAVATION". EXCAVATION BY THE CONTRACTOR OUTSIDE OF THESE LIMITS WILL BE AT THE EXPENSE OF THE CONTRACTOR.

ABUTMENT 1, PIER AND SOUTH RIVER BANK SECTION
 (NOT TO SCALE)



TYPICAL CHANNEL SECTION
 (NOT TO SCALE)

* GRUBBING MATERIAL SHALL NOT BE PLACED ON THE STONE FILL IN THE AREA UNDER THE BRIDGE. WHENEVER CHANNEL SLOPE INTERSECTS ROADWAY SUBBASE, GRUBBING MATERIAL SHALL BEGIN AT THE BOTTOM OF SUBBASE.

*SUBBASE OF DENSE GRADED CRUSHED STONE

ABUTMENT 2 AND NORTH RIVER BANK SECTION
 (NOT TO SCALE)

PROJECT NAME:	BETHEL	PLOT DATE:	20-MAY-2011
PROJECT NUMBER:	BRF 022-1(14)	DRAWN BY:	G. ROKES
FILE NAME:	sf161typ.dgn	DESIGNED BY:	S. SCRIBNER
PROJECT LEADER:	M. EVANS-MONGEON	CHECKED BY:	S. SCRIBNER
SUBSTRUCTURE EARTHWORKS SHEET 1		SHEET	7 OF 148