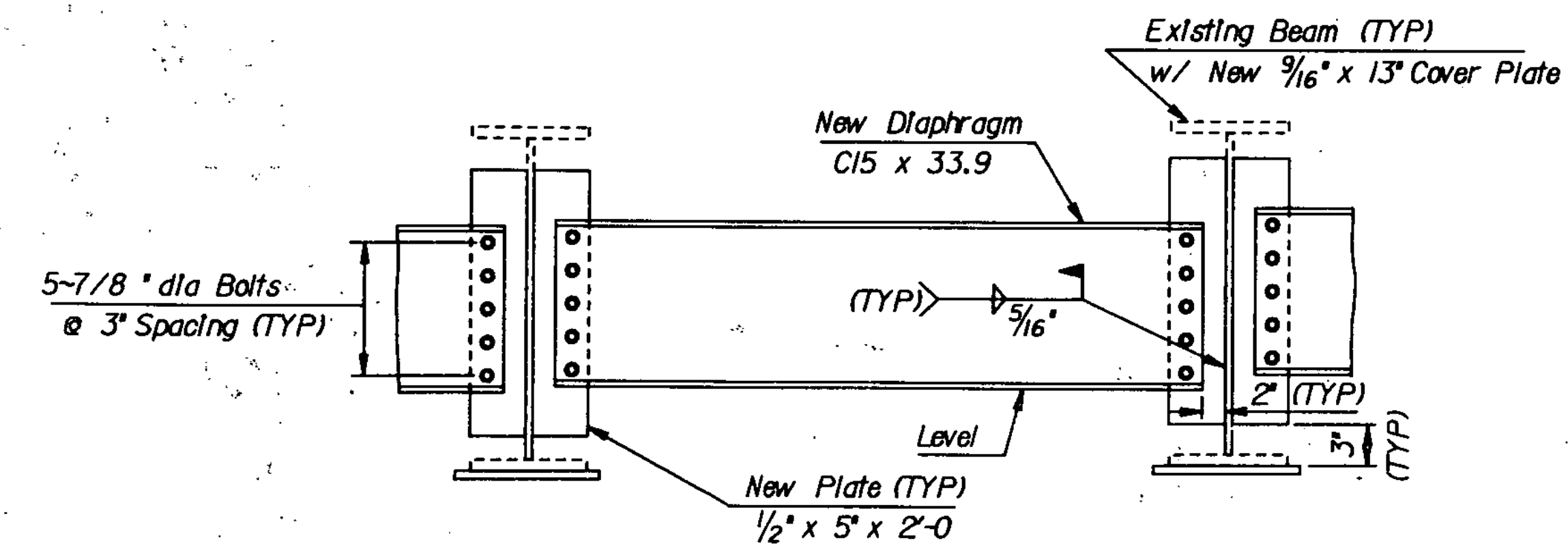


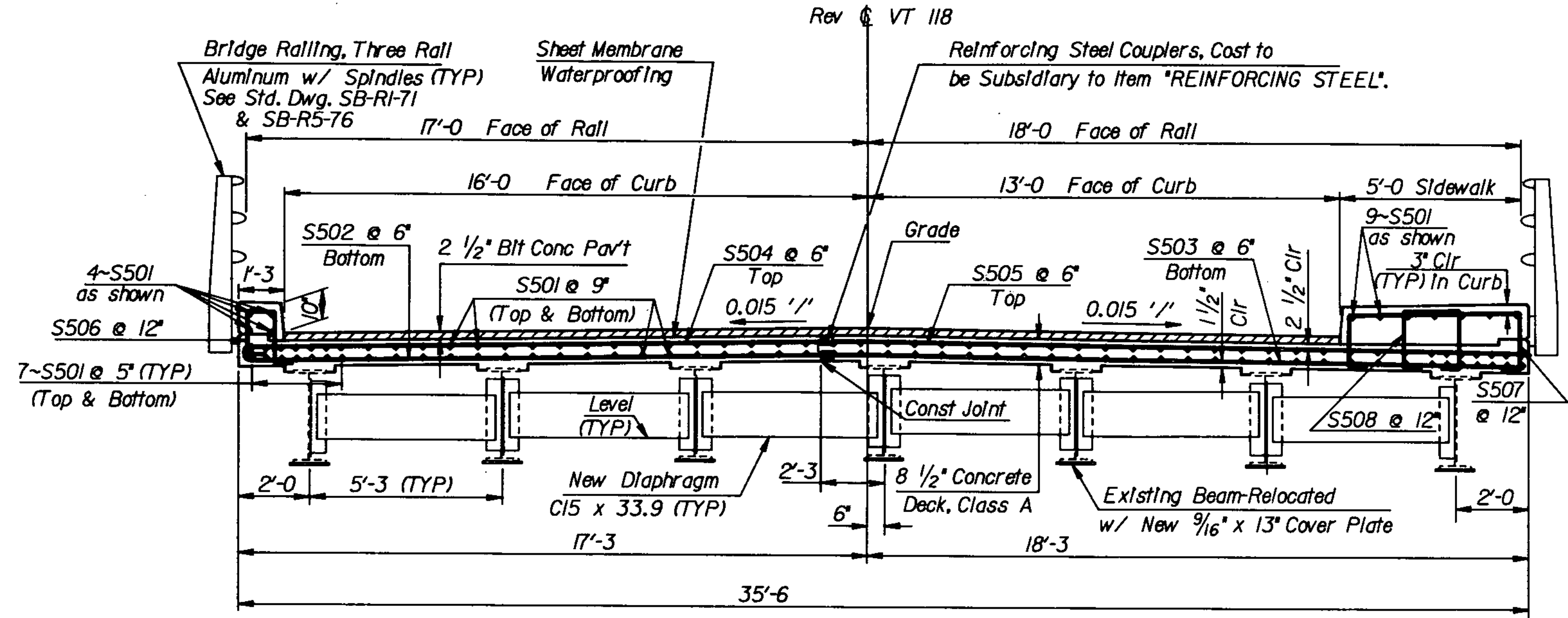
DECK REINFORCING PLAN

Scale $\frac{3}{16}'' = 1'-0''$



DIAPHRAGM ELEVATION

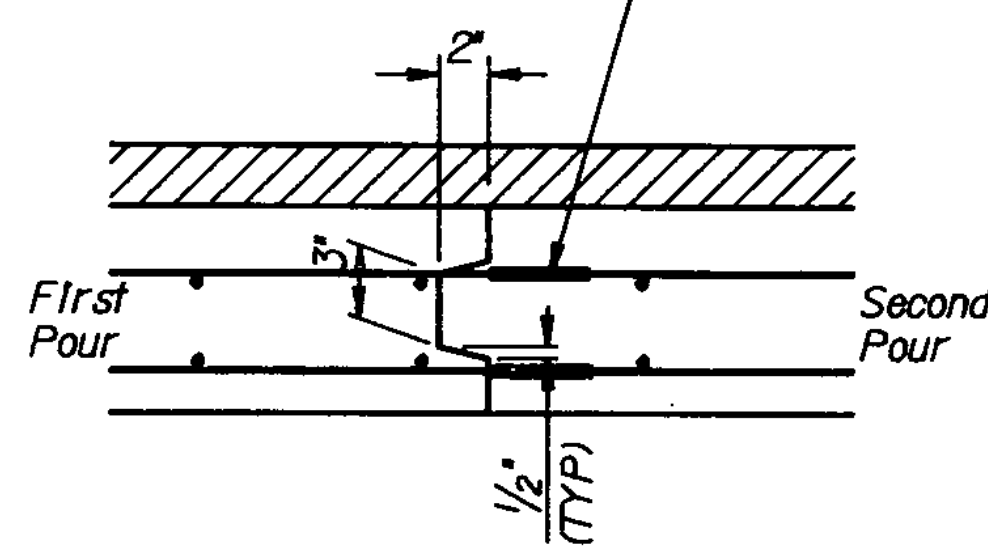
Scale $1'' = 1'-0''$



BRIDGE TYPICAL SECTION

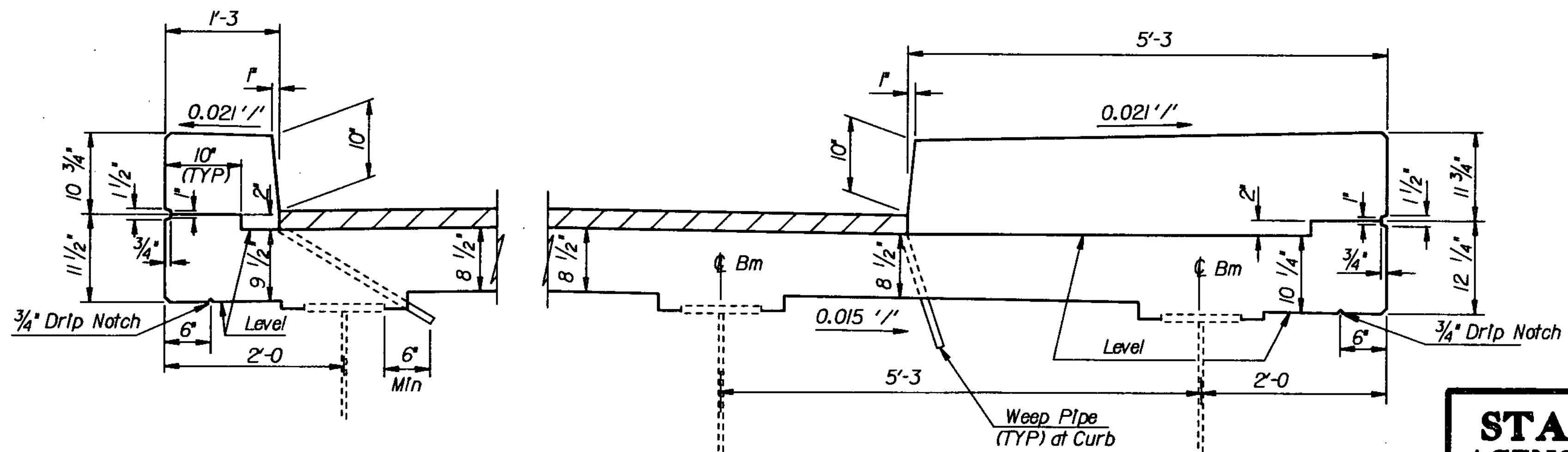
Scale $\frac{3}{8}'' = 1'-0''$

Reinforcing Steel Couplers, Cast to be Subsidiary to Item 'REINFORCING STEEL'.



SLAB KEYWAY DETAIL

Scale $1/2'' = 1'-0''$



CURB & SIDEWALK DETAIL

Scale $1'' = 1'-0''$

See STD DWG SCB-D6-73, Detail F, for Additional Details on Weep Pipe (Plastic Tube) and Membrane Waterproofing.

**STATE OF VERMONT
AGENCY OF TRANSPORTATION**

Town of **MONTGOMERY** Bridge No. **15**

Highway No. **Vt Rte 118** Log Sta. **256 + 30**

Surv. Sta. **Rev 55 + 62.85**

Vt Rte 118 over Trout River

Superstructure Details

Designed By **K.R. Sharr** Drawn By **E.L. Boudin**

Checked By **K.R. Sharr** Date **8/84** Bridge Design Supervisor **F.W. Bolcum** Date **12/84**

PROJECT **MONTGOMERY** PROJECT NO. **BHS 0283161S**

I.G.C. Info. **0541302370283161S/DW**

Bridge Sheet No. **8** of **46**