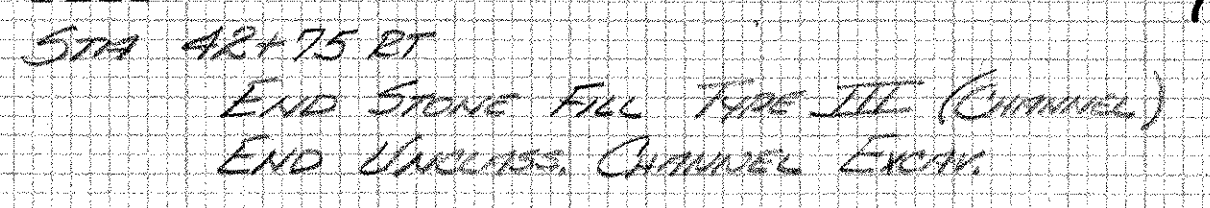
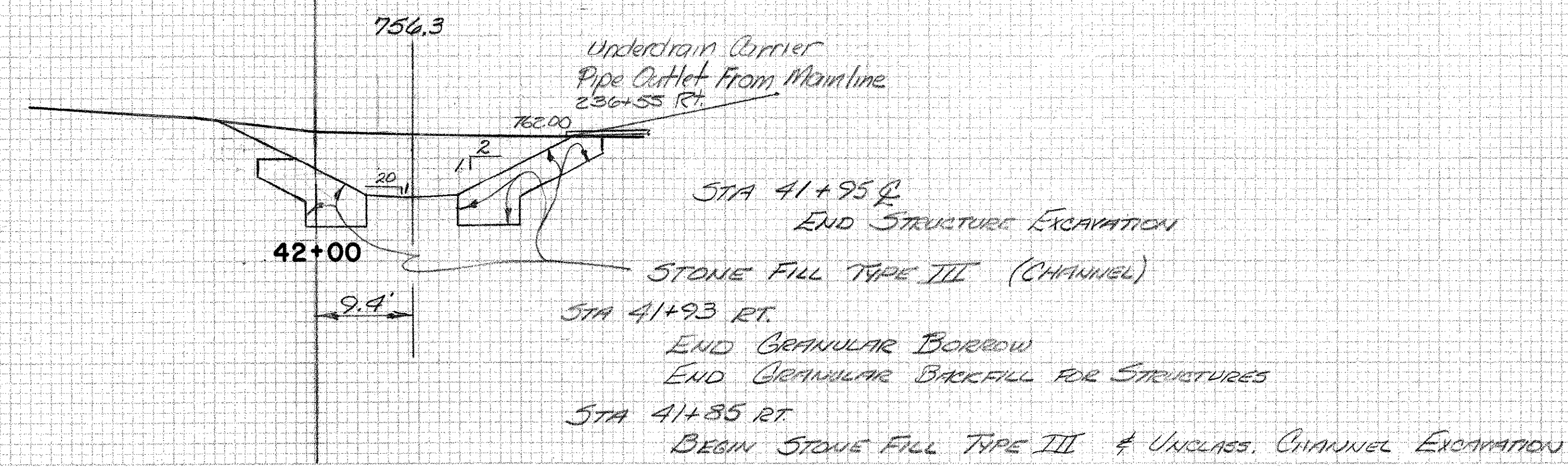
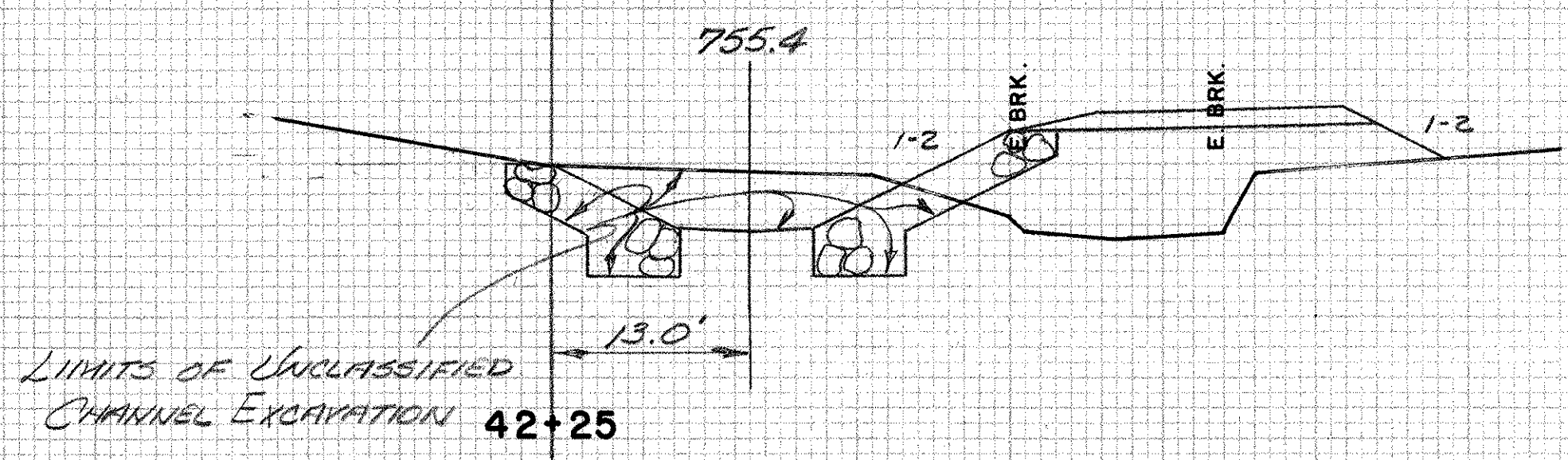
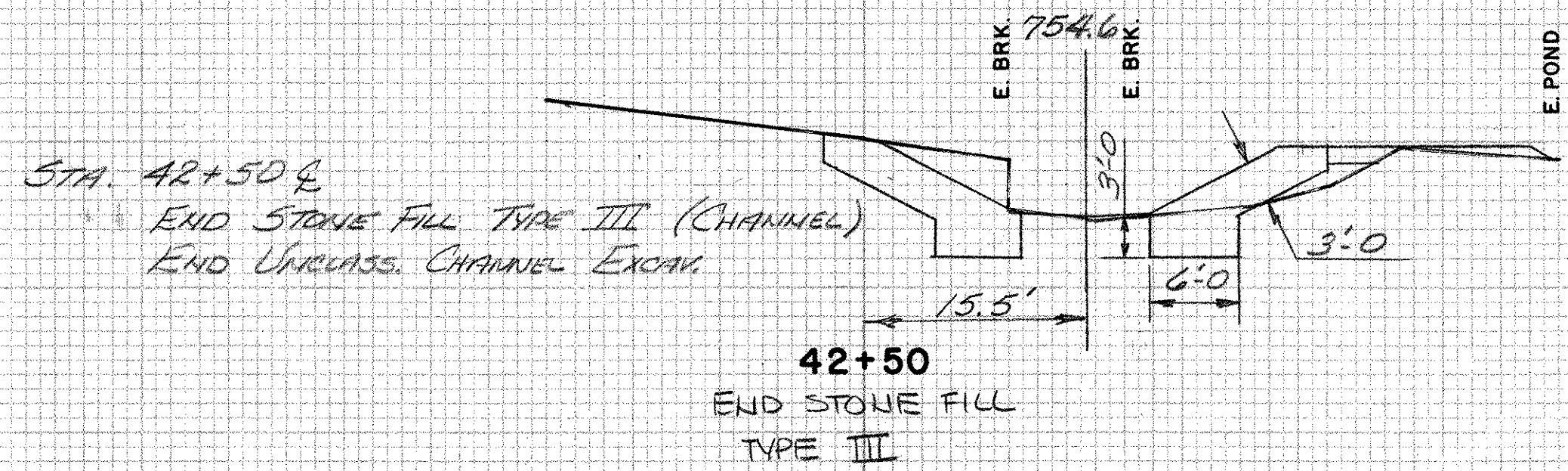
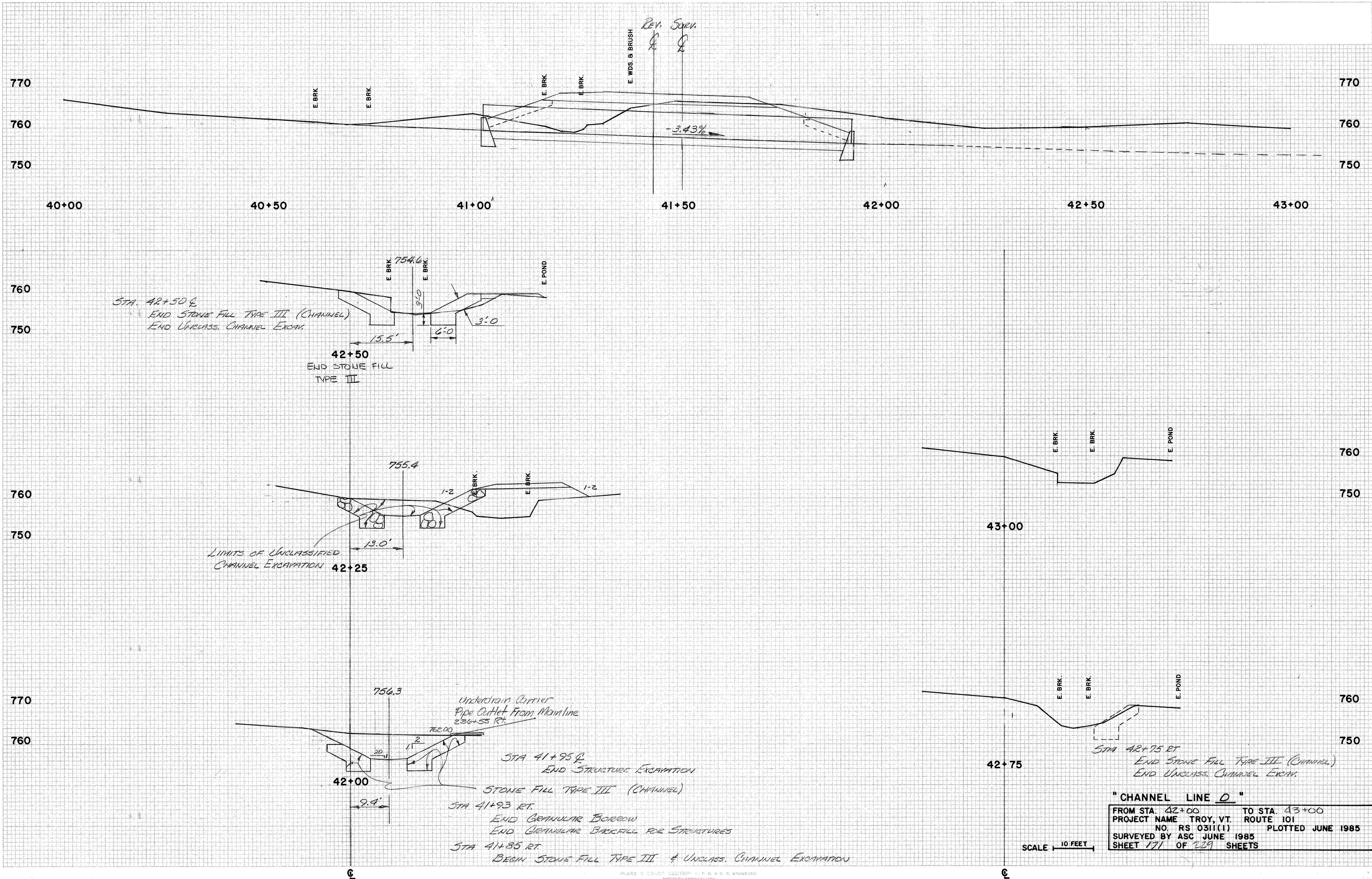


| | |
|-----------|--|
| DATE | |
| BY | |
| REVISIONS | |
| NO. | |
| DATE | |
| BY | |
| REVISIONS | |
| NO. | |
| DATE | |
| BY | |
| REVISIONS | |
| NO. | |

| | |
|-----------|--|
| DATE | |
| BY | |
| REVISIONS | |
| NO. | |
| DATE | |
| BY | |
| REVISIONS | |
| NO. | |
| DATE | |
| BY | |
| REVISIONS | |
| NO. | |



"CHANNEL LINE D"
 FROM STA. 42+00 TO STA. 43+00
 PROJECT NAME TROY, VT. ROUTE 101
 NO. RS 0311(1) PLOTTED JUNE 1985
 SURVEYED BY ASC JUNE 1985
 SHEET 171 OF 229 SHEETS

SCALE 1" = 10 FEET