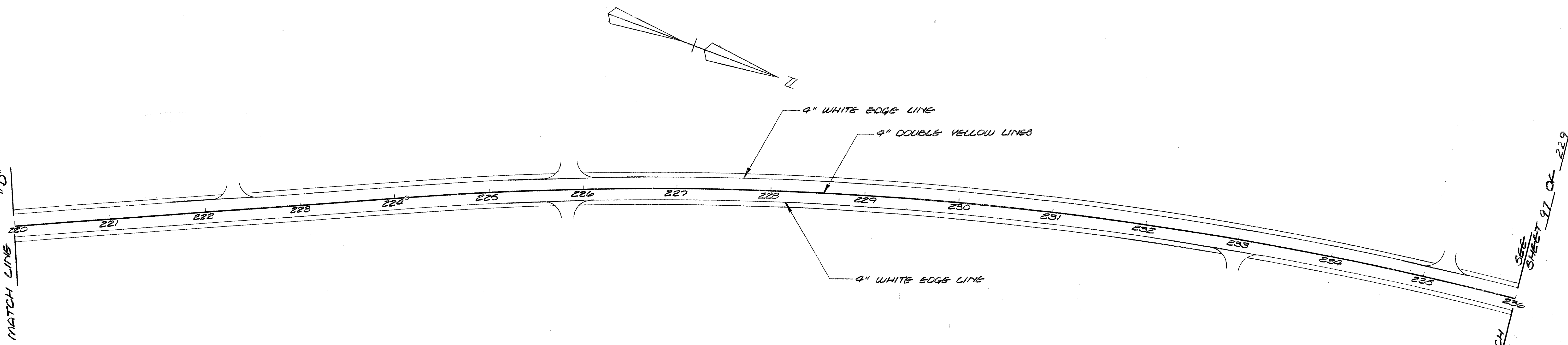
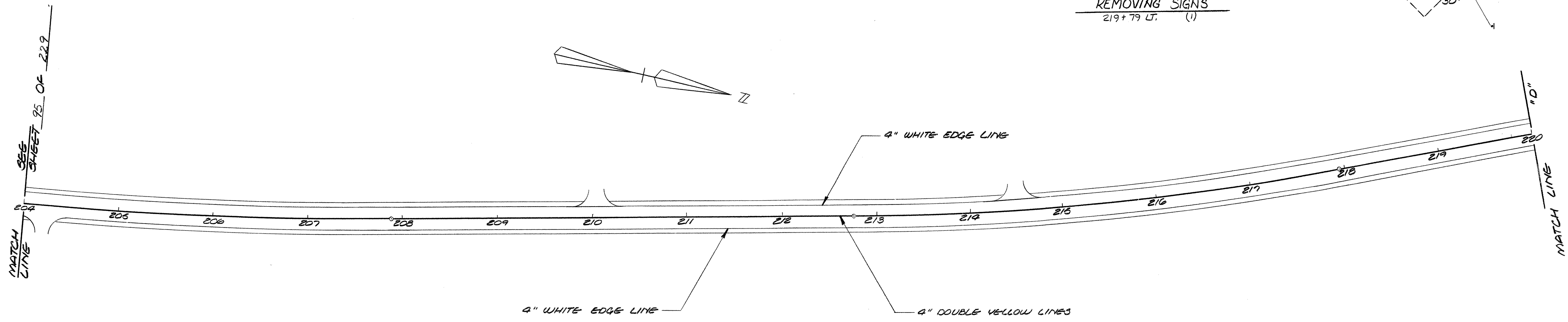
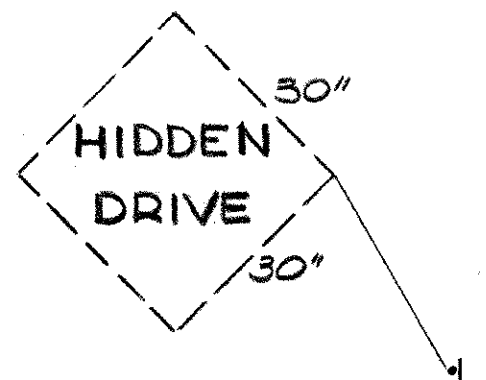


TEMPORARY 4" REFLECTORIZED YELLOW
(DOUBLE SOLID LINE)
204+00 - 220+00

TEMPORARY 4" REFLECTORIZED WHITE LINES
(FINAL COURSE ONLY) EDGE LINES
204+00 - 220+00 12' LT. & RT.

REMOVING SIGNS
219+79 LT. (1)



TEMPORARY 4" REFLECTORIZED YELLOW
(DOUBLE SOLID LINE)
220+00 - 236+00

TEMPORARY 4" REFLECTORIZED WHITE LINES
(FINAL COURSE ONLY) EDGE LINES
220+00 - 236+00 12' LT. & RT.

NOTE: REMOVE ALL EXISTING SIGNS UNLESS OTHERWISE NOTED
TYPE "A" SIGN REMOVAL
CENTERLINE MARKINGS (DOUBLE YELLOW LINE) SHALL
BE APPLIED USING TEMPORARY MARKINGS ON EACH
PAVEMENT COURSE. QUANTITIES REFLECT THREE APPLICATIONS

SCALE: 1/2" = 50 FEET

SIGN LOCATION AND
PAVE. MARKING SHEET

SURVEYED BY	DATE
DRAWN BY <u>CEL/GAS</u>	DATE <u>08-88</u>
TRACED BY <u>TUB/PHM</u>	DATE <u>08-88</u>
TOWN <u>TROY, VERMONT</u>	
ROUTE <u>101</u>	
PROJ. NO. <u>NO. 0311(1)</u>	
SHEET <u>96</u> OF <u>229</u>	