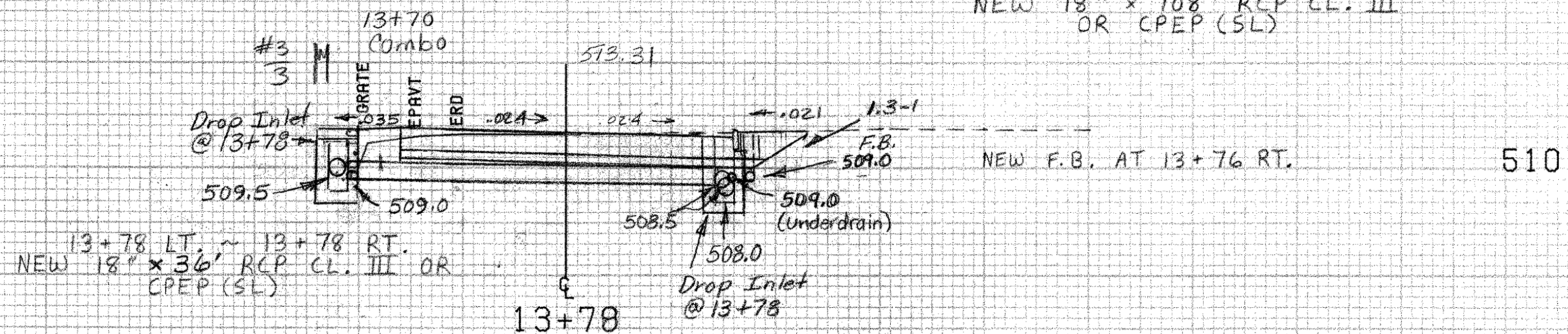


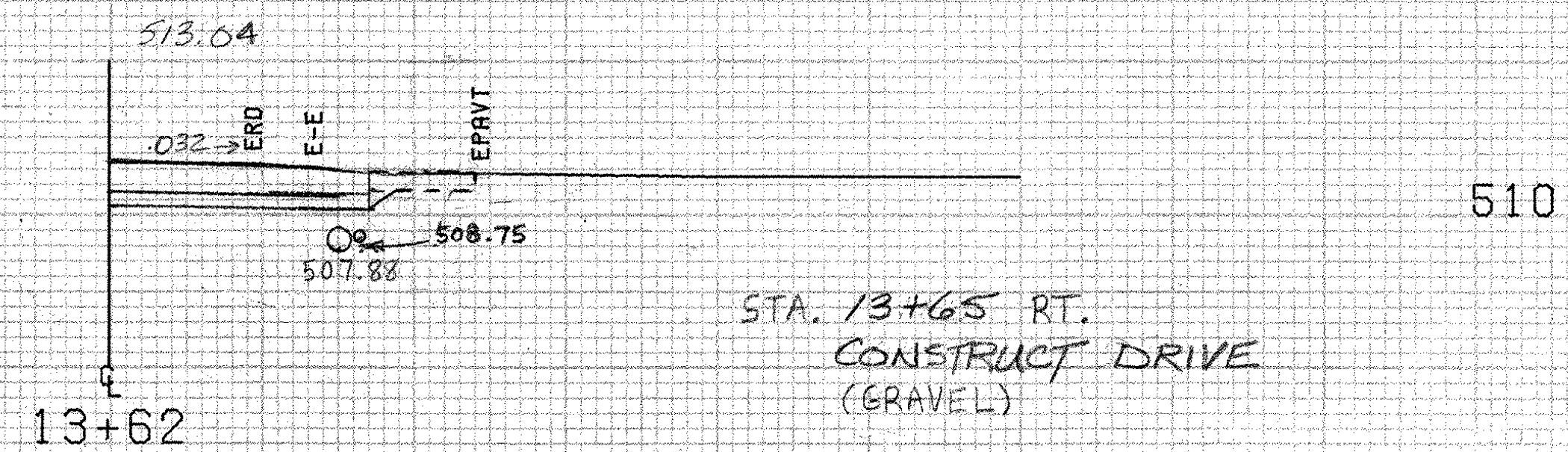
13+78 LT.
EXIST. 15" RCP:
CONNECT TO NEW DI @ STA.
13+78 LT.

13+78 ~ 14+25 RT.
NEW 6" x 47" UNDERDRAIN
W/ FB @ 14+25 RT.

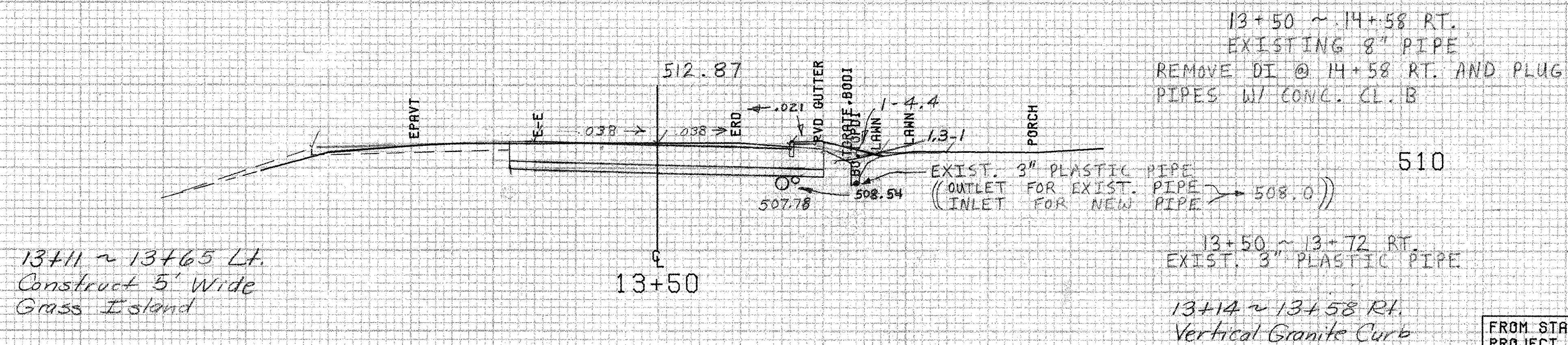
13+78 ~ 14+58 RT.
NEW 18" x 108' RCP CL. III
OR CPEP (5L)



13+72 ~ 14+65 RT.
Vertical Granite Curb



STA. 13+65 RT.
CONSTRUCT DRIVE
(GRAVEL)



13+11 ~ 13+65 Lt.
Construct 5' Wide
Grass Island

13+50 ~ 14+58 RT.
EXISTING 8" PIPE
REMOVE DI @ 14+58 RT. AND PLUG
PIPES W/ CONC. CL. B

13+50 ~ 13+72 RT.
EXIST. 3" PLASTIC PIPE

13+14 ~ 13+58 RT.
Vertical Granite Curb

FROM STA.	13+50	TO STA.	13+70
PROJECT NAME	MORERTOWN-MIDDLESEX RTE2		
NO.	BR50167(II)	PLOTTED	02/14/85
SURVEYED BY	NYE	JAN	1985
SHEET	241	OF 243	SHEETS

SCALE 1" = 10 FEET