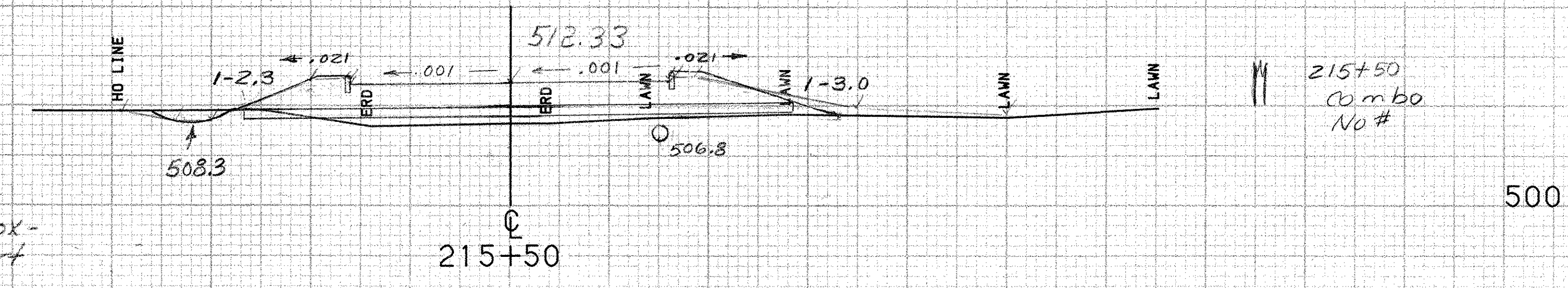
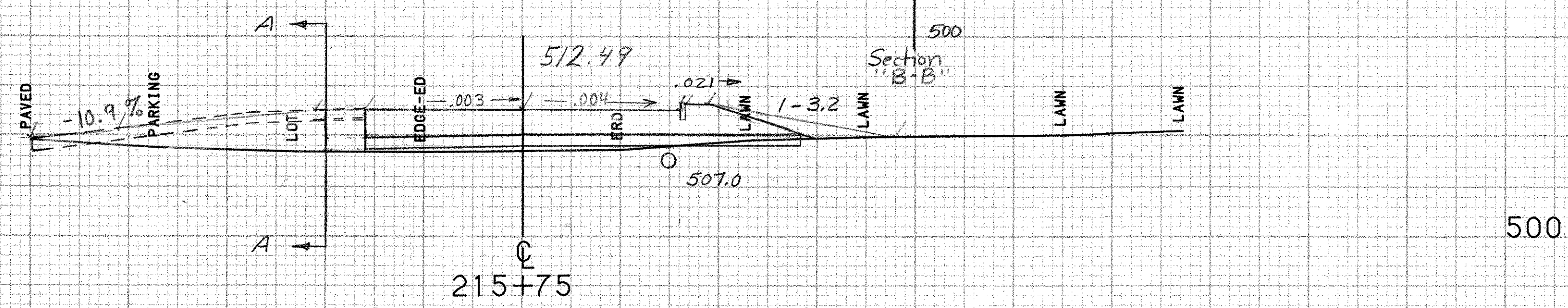
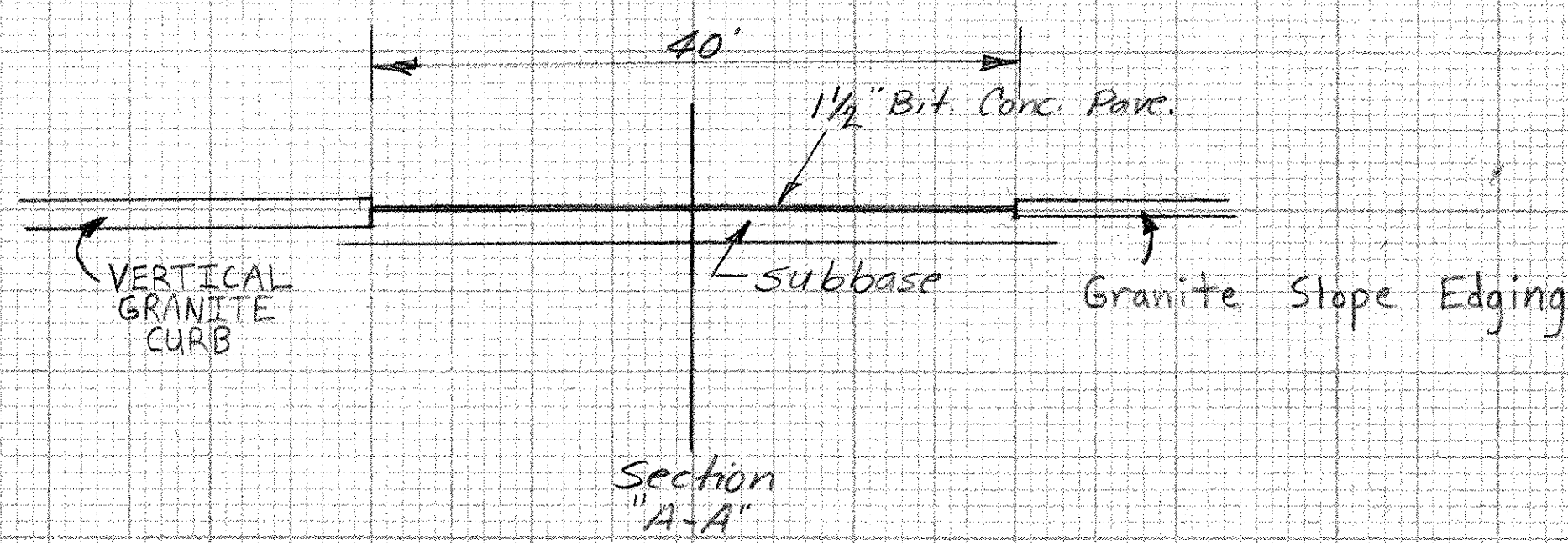
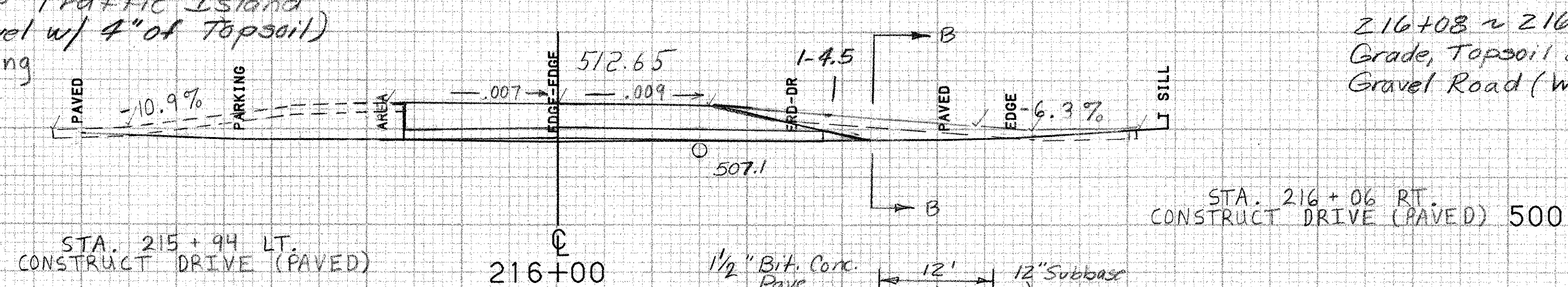
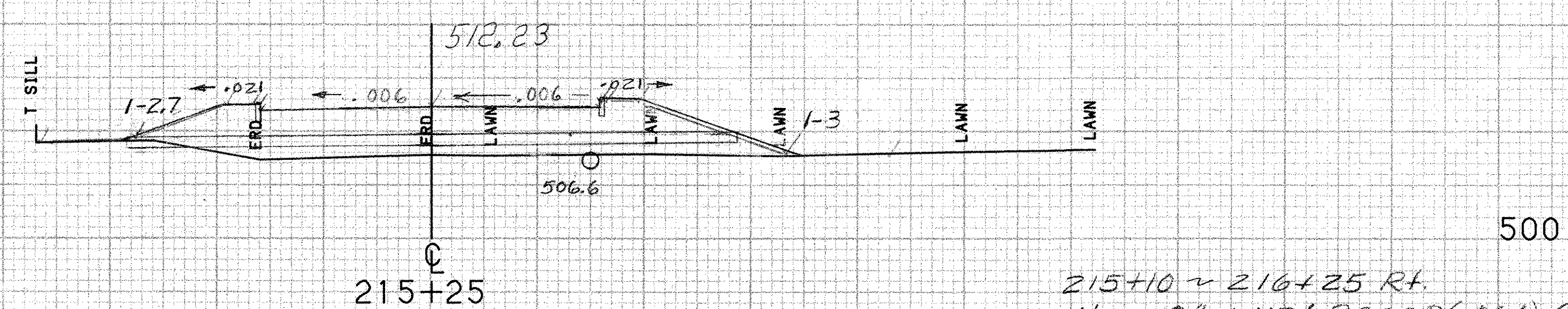


M 216+15 Lt ~ US 2 12+73 Lt. (ISLAND)
 Construct a 9' wide Traffic Island
 (Island to be Filled Level w/ 4" of Topsoil)
 w/ Granite Slope Edging
 (See Detail on Sht. #146)

216+08 ~ 216+93 Rt.
 Grade, Topsoil and Seed Existing
 Gravel Road (Within Existing ROW)

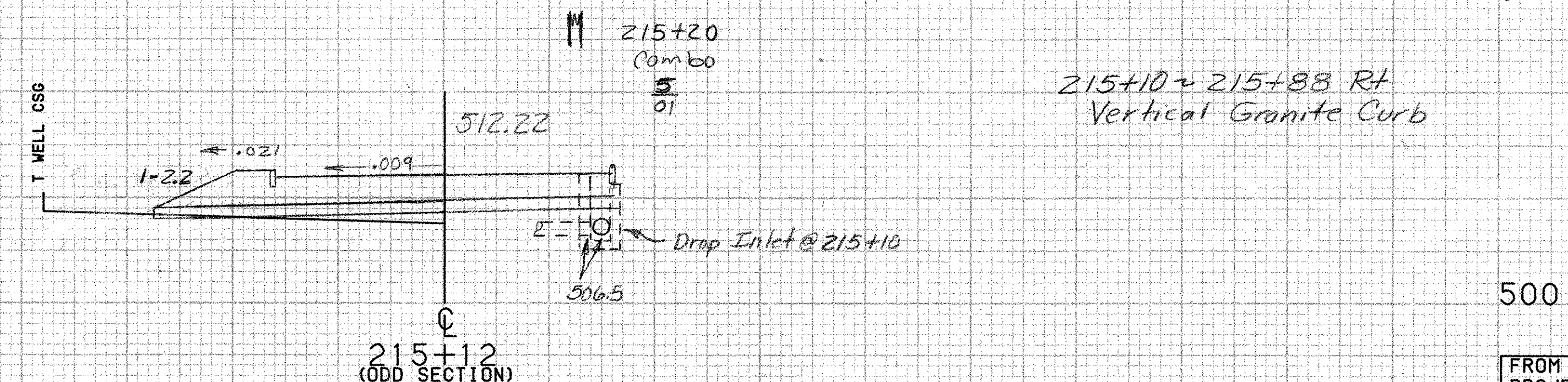


215+48 Lt.
 Relocate Mailbox -
 Single Support



215+06 ~ 215+68 Lt.
 Vertical Granite Curb

215+10 ~ 216+25 Rt.
 New 18" x 112" PCCSP (.064), CAAP (.060),
 RCP CL III or CPEP (SL)



215+10 ~ 215+88 Rt.
 Vertical Granite Curb

215+10 Rt ~ 215+13 Lt.
 New 18" x 28" PCCSP (.064), CAAP (.060),
 RCP CL III or CPEP (SL)

FROM STA. 215+12	TO STA. 216+00
PROJECT NAME MORETOWN-MIDDLESEX	
NO. BRS0167 (1-1)	PLOTTED 05/04/87
SURVEYED BY MOREAU	01/86 0039
SHEET 233 OF 243 SHEETS	

SCALE 10 FEET