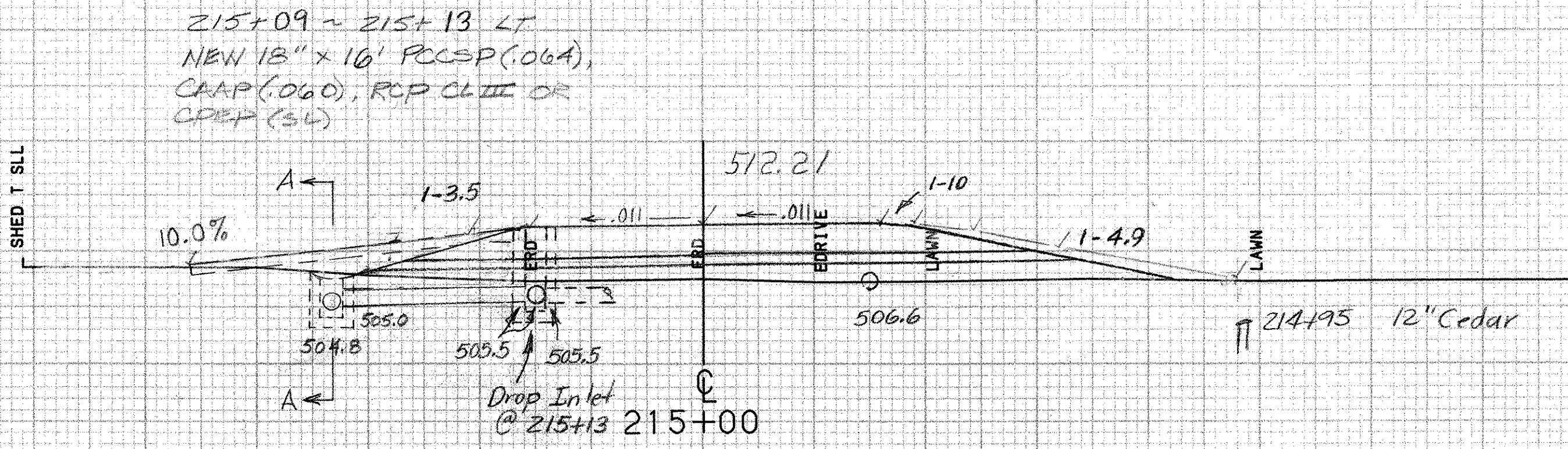
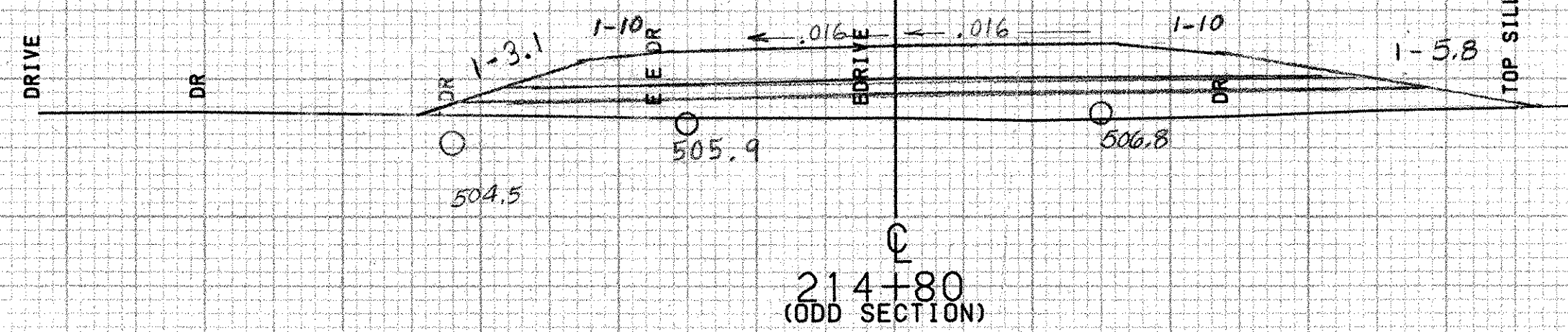


\* 3' SUBBASE OF CRUSHED GRAVEL (FINE GRADED) OVER 9" DENSE GRADED CRUSHED STONE



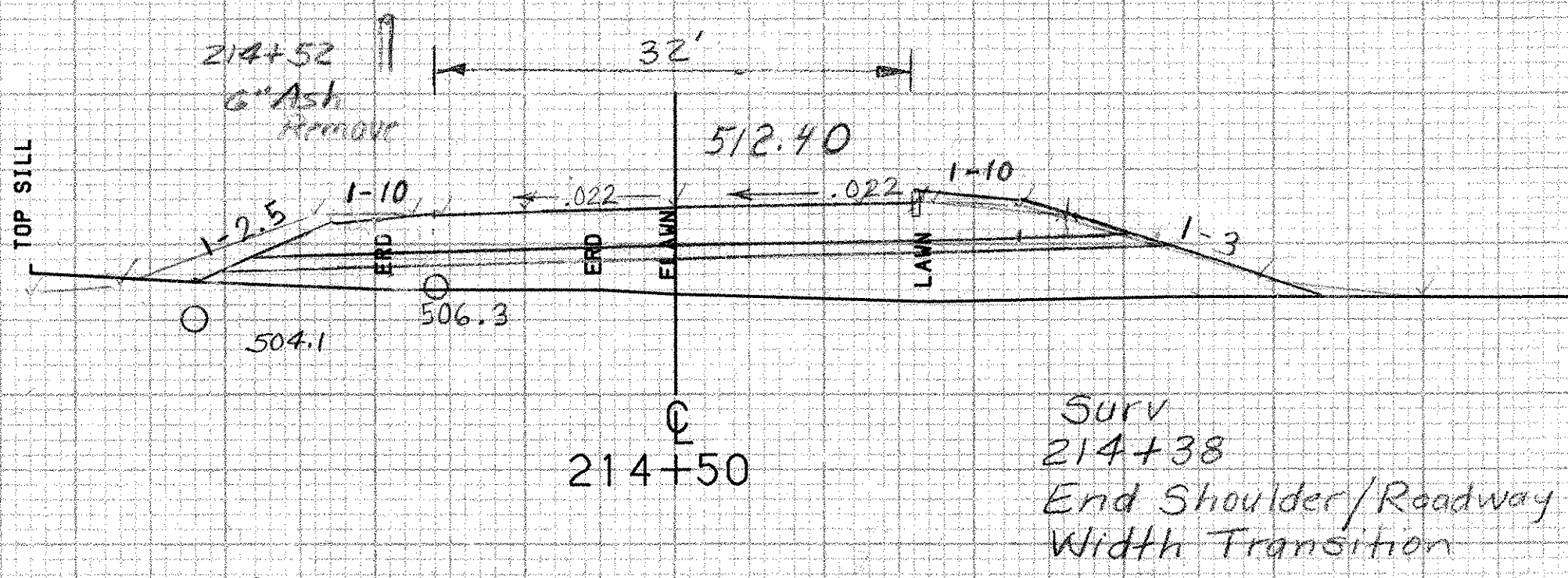
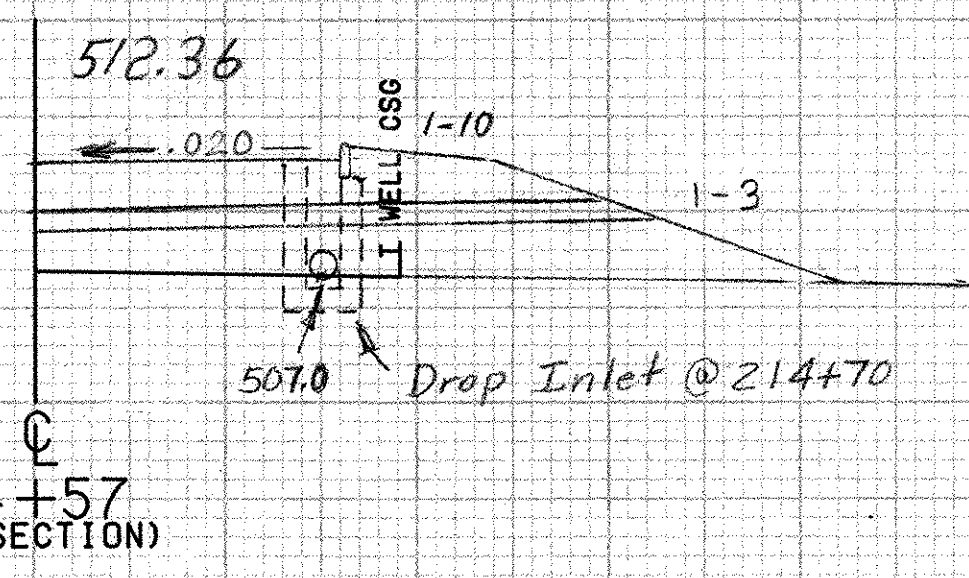
STA. 214+94 LT. CONSTRUCT DRIVE (GRAVEL)

Sta. 214+73 Lt. Remove Existing Fence (10')



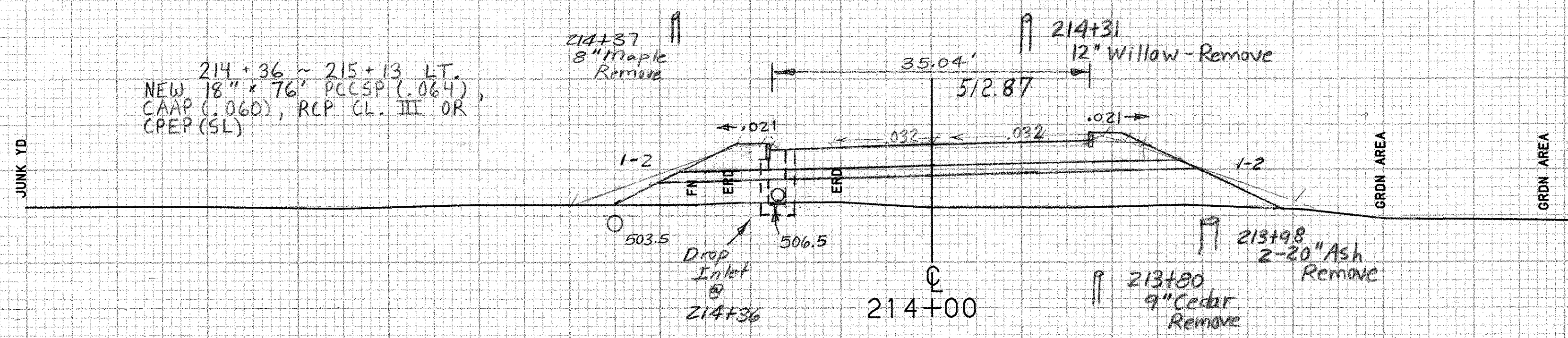
SURV 214+70 ~ 215+10 Rt. Leave 40' Break in Vertical Granite Curb for Future Access (Do Not Construct Drive)

214+70 ~ 215+10 Rt. New 18" x 38" PCCSP (.064), CAAP (.060), RCP CL III OR CPEP (SL)



Surv 214+38 End Shoulder/Roadway Width Transition

214+36 ~ 215+13 LT. NEW 18" x 76" PCCSP (.064), CAAP (.060), RCP CL. III OR CPEP (SL)



500

500

500

500

500

FROM STA. 214+00 TO STA. 215+00  
 PROJECT NAME MORETOWN-MIDDLESEX  
 NO. BR50167 (11) PLOTTED 05/04/87  
 SURVEYED BY MOREAU 01/86 0039  
 SHEET 232 OF 243 SHEETS

SCALE 1" = 10 FEET