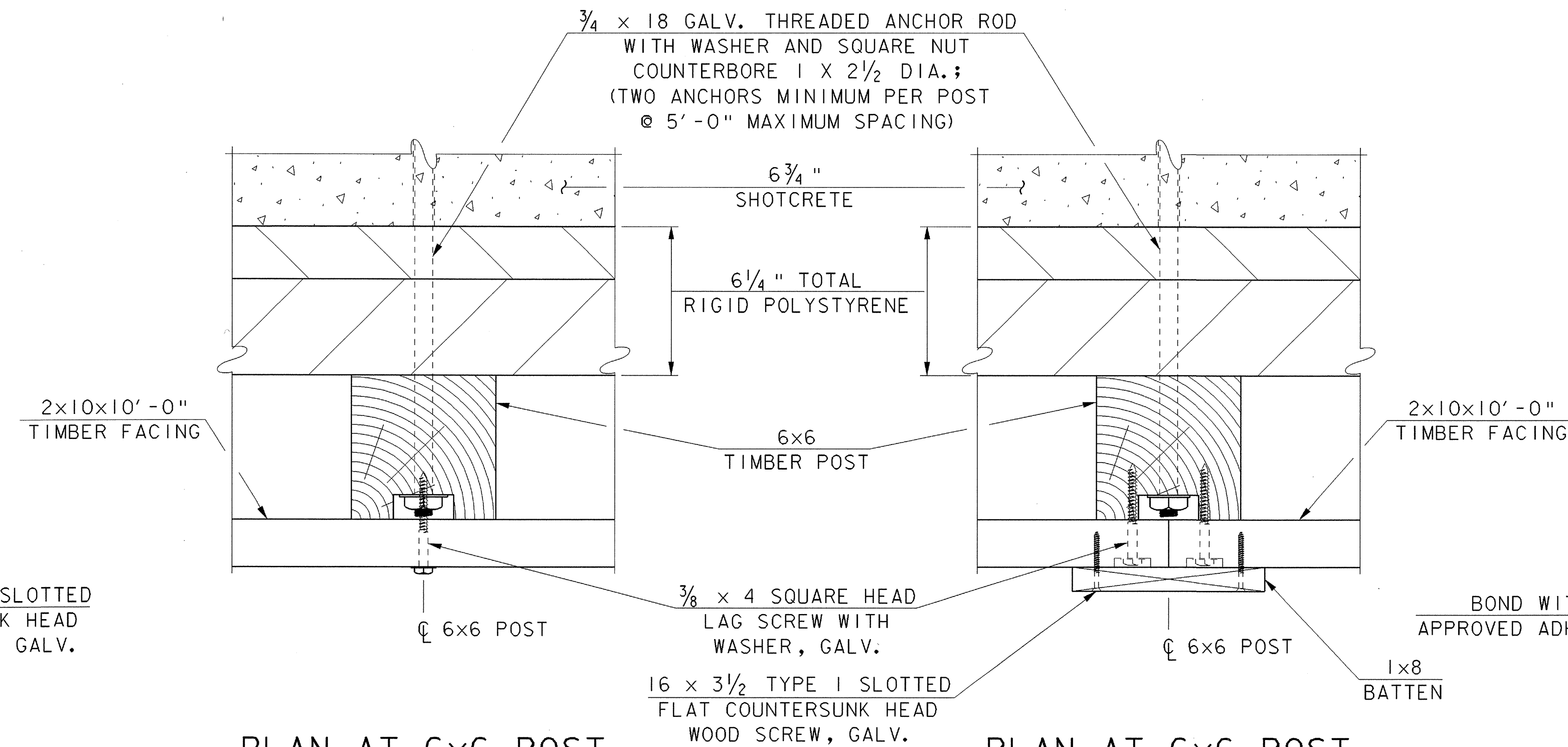
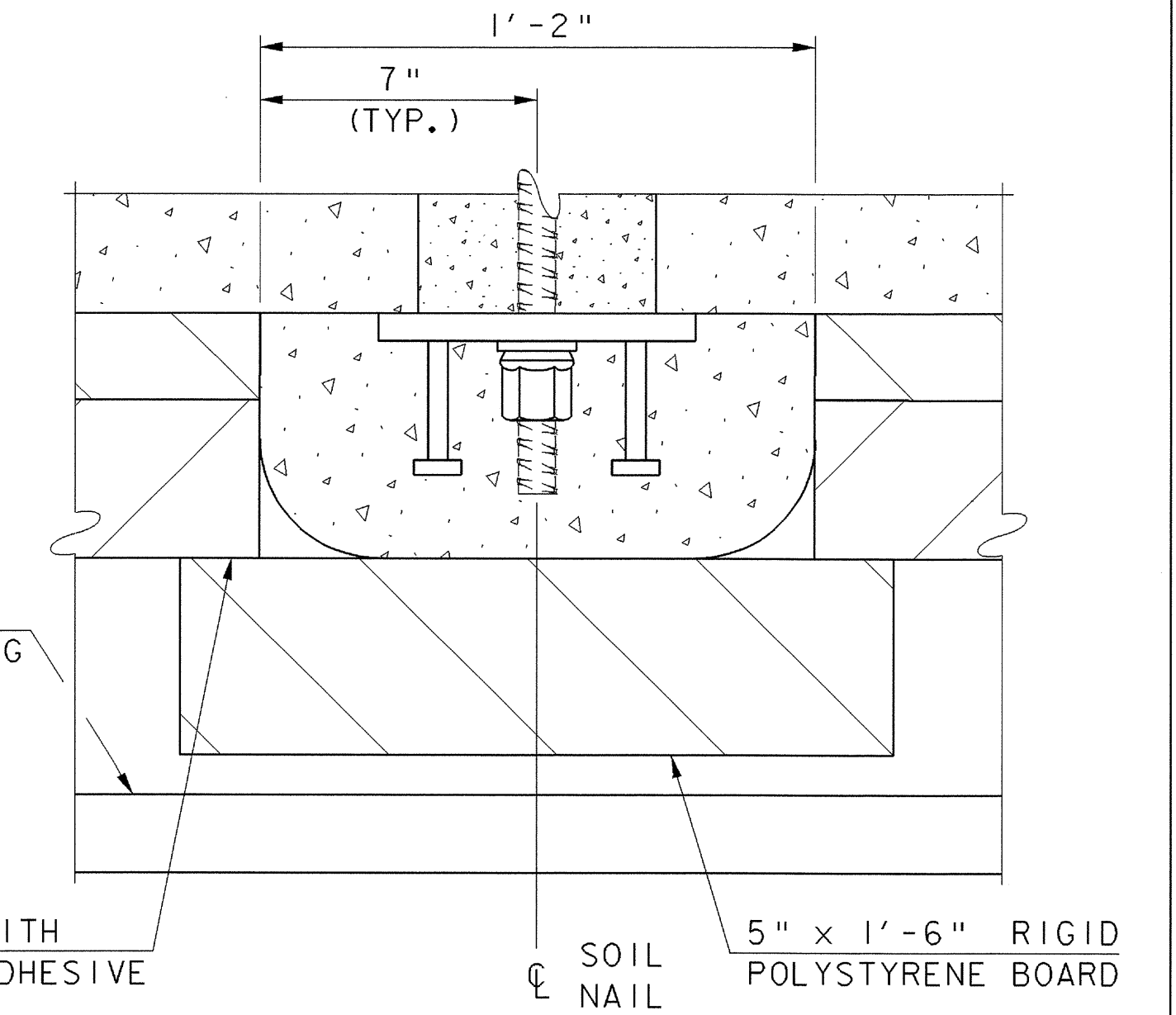


PLAN AT END OF WALL
SCALE: 3" = 1'-0"

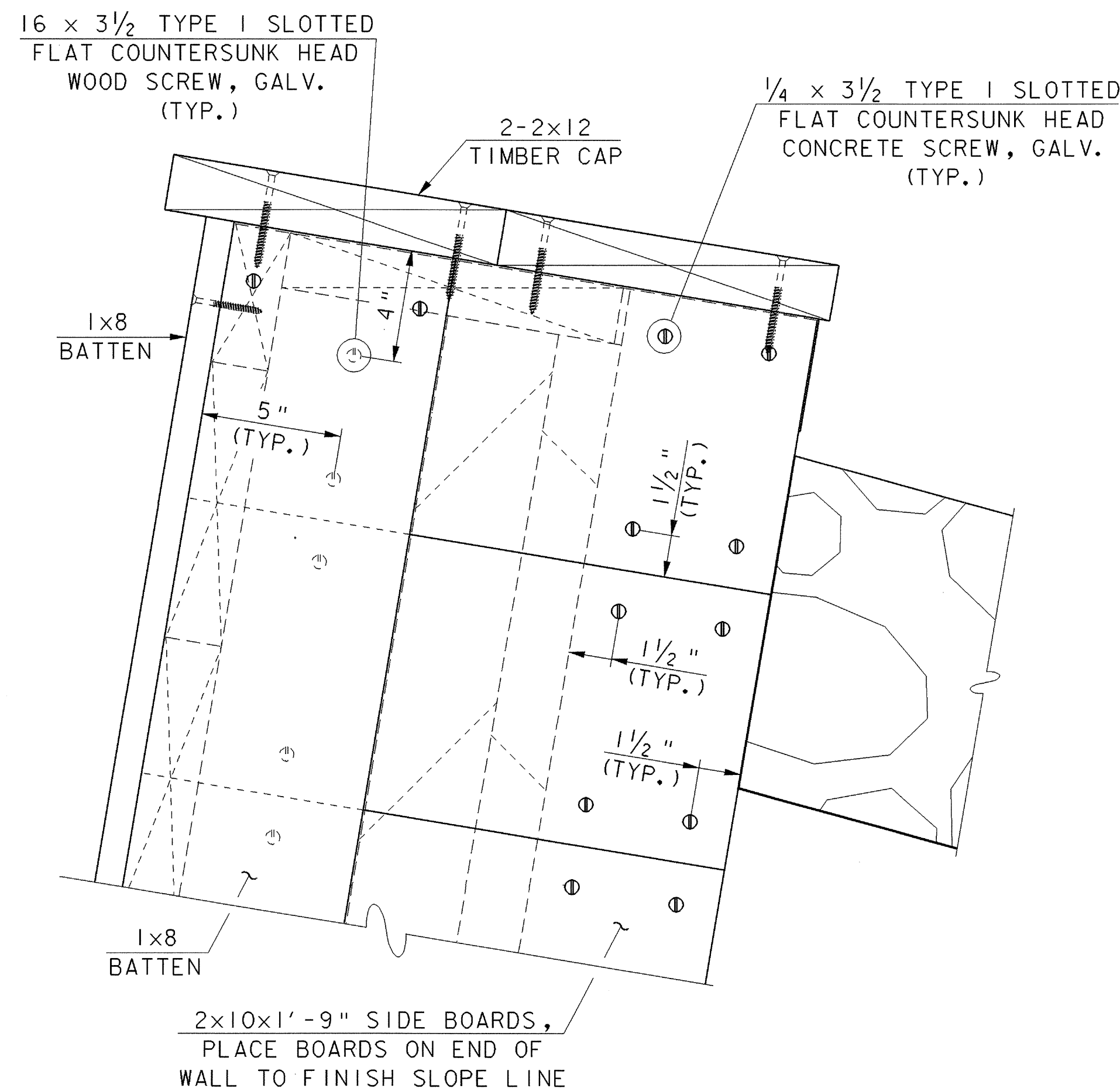


PLAN AT 6x6 POST WITHOUT 1x8 BATTEN
SCALE: 3" = 1'-0"

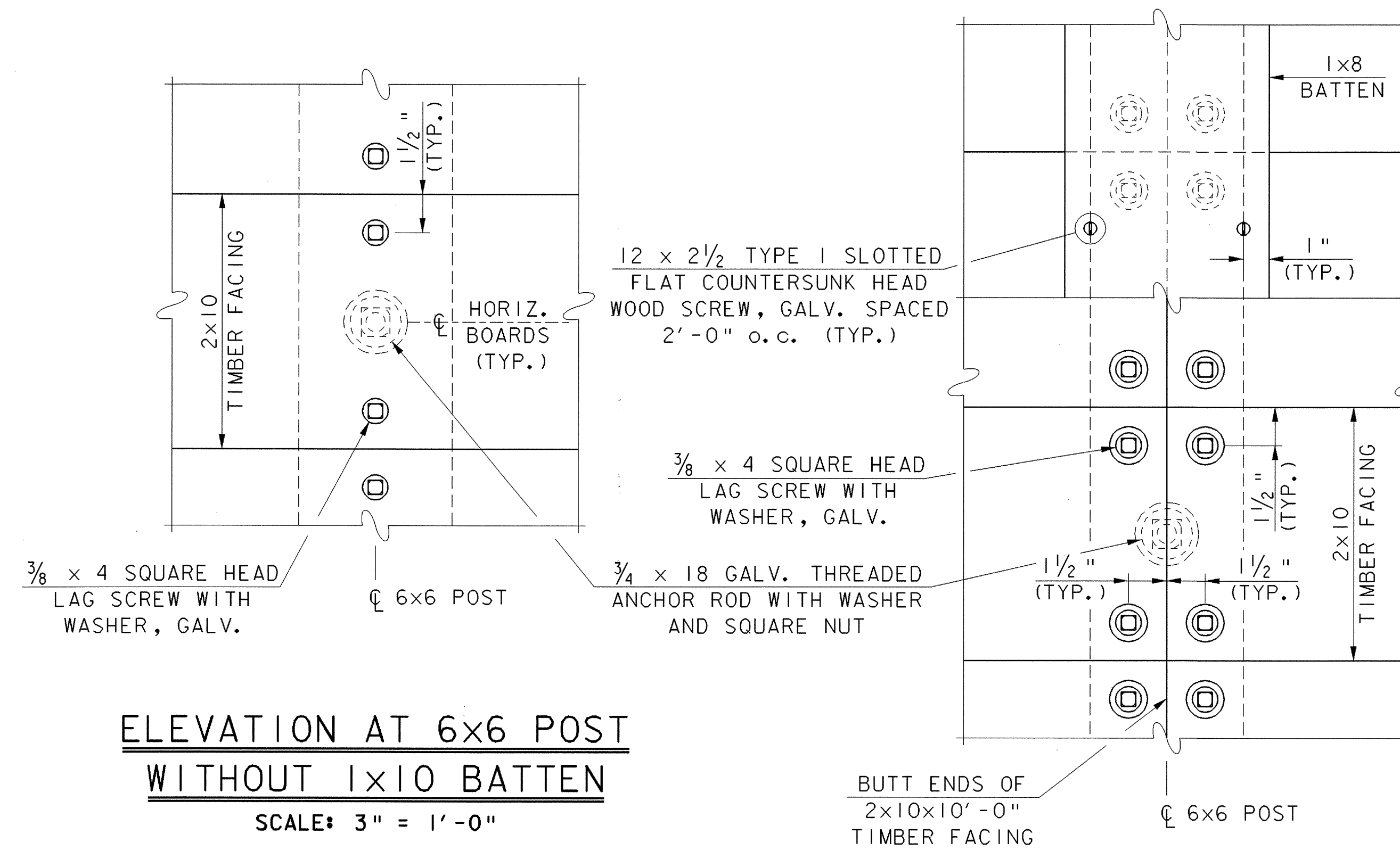
PLAN AT 6x6 POST WITH 1x8 BATTEN
SCALE: 3" = 1'-0"



PLAN AT SOIL NAIL
SCALE: 3" = 1'-0"

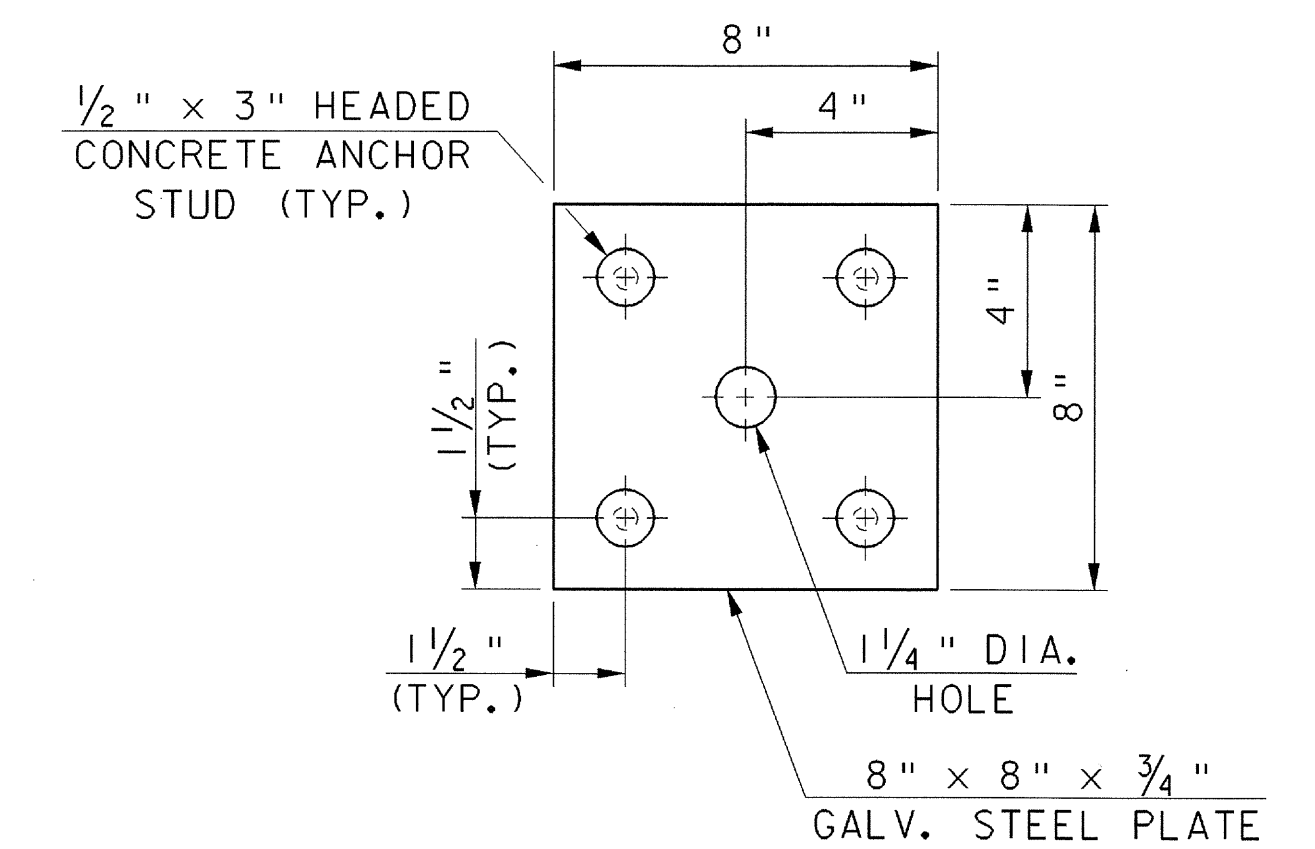


ELEVATION AT END OF WALL
SCALE: 3" = 1'-0"



ELEVATION AT 6x6 POST WITHOUT 1x10 BATTEN
SCALE: 3" = 1'-0"

ELEVATION AT 6x6 POST WITH 1x10 BATTEN
SCALE: 3" = 1'-0"



ANCHORAGE PLATE DETAIL
SCALE: 3" = 1'-0"

WALL FACING DETAILS

PROJECT NAME:	MORETOWN
PROJECT NUMBER:	STP EGC RSEGC 0167 (9)
FILE NAME:	\\78el32\Structures\sel32wfd.i
PROJECT LEADER:	R. R. WHITCOMB
DESIGNED BY:	C. ALLEN
BRIDGE SHEET BR315	
PLOT DATE:	12-MAY-2000
DRAWN BY:	G. ROY
CHECKED BY:	C. ALLEN
SHEET	144C OF 243