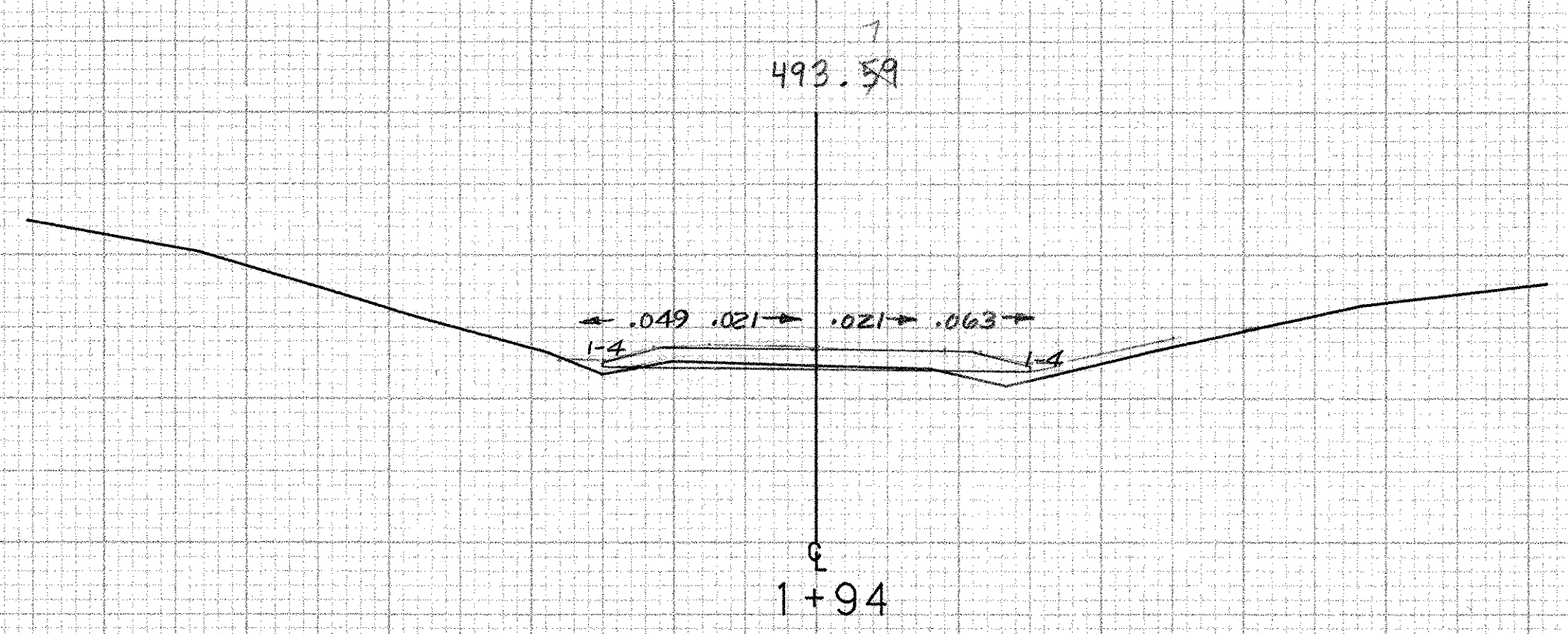
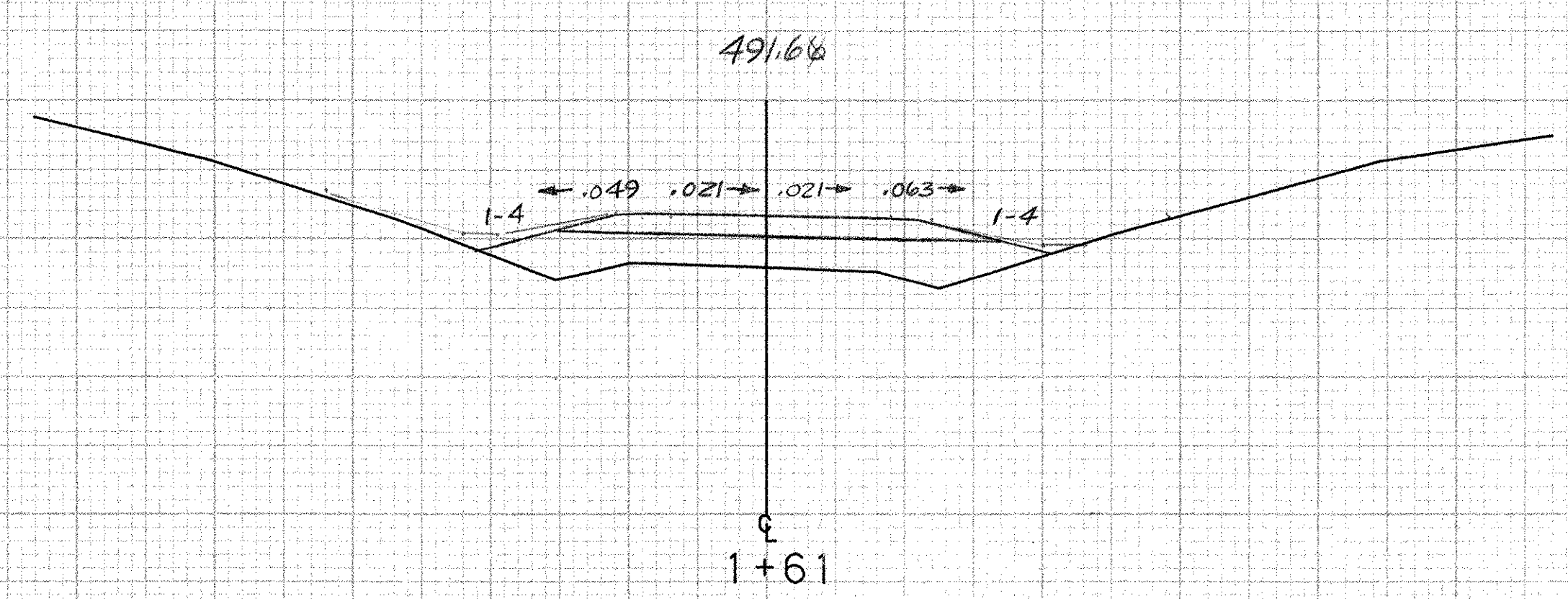


490



490



480

TH 66
FROM STA. 1+61 TO STA. 2+20
PROJECT NAME MORETOWN
NO. RS E6L-RS0167 (9) PLOTTED 10/14/87
SURVEYED BY
SHEET 135 OF 243 SHEETS

SCALE 1" = 10 FEET