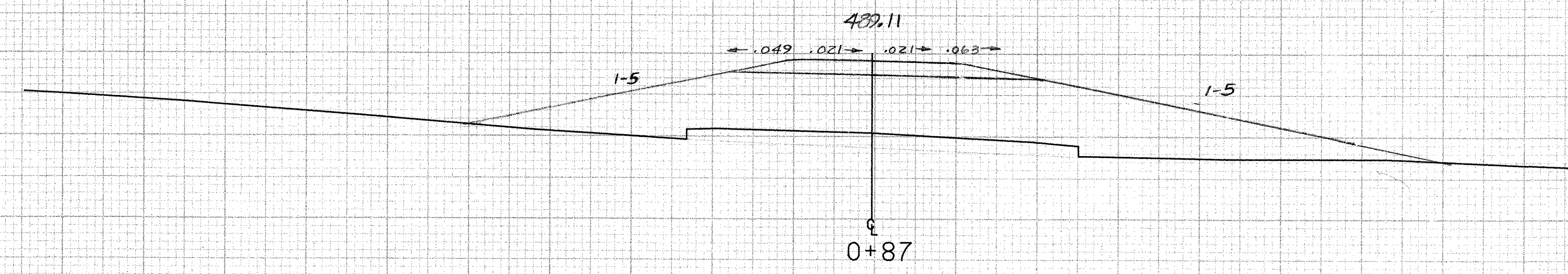


480

1+15 Rt.  
18" Cherry - Save



480



480

TH 66 0+87 E  
EXISTING 15" CGMP - REMOVE

SCALE 1" = 10 FEET

FROM STA.	0+87	TO STA.	1+31
PROJECT NAME	TH66 MORETOWN		
NO.	RS E6CRS0167 (9)		
SURVEYED BY	PLOTTED 10/14/87		
SHEET 137	OF 243 SHEETS		