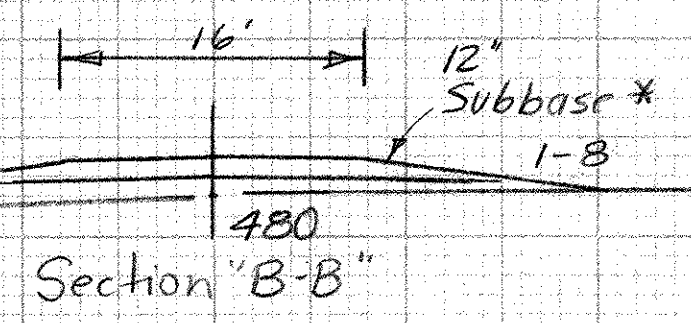
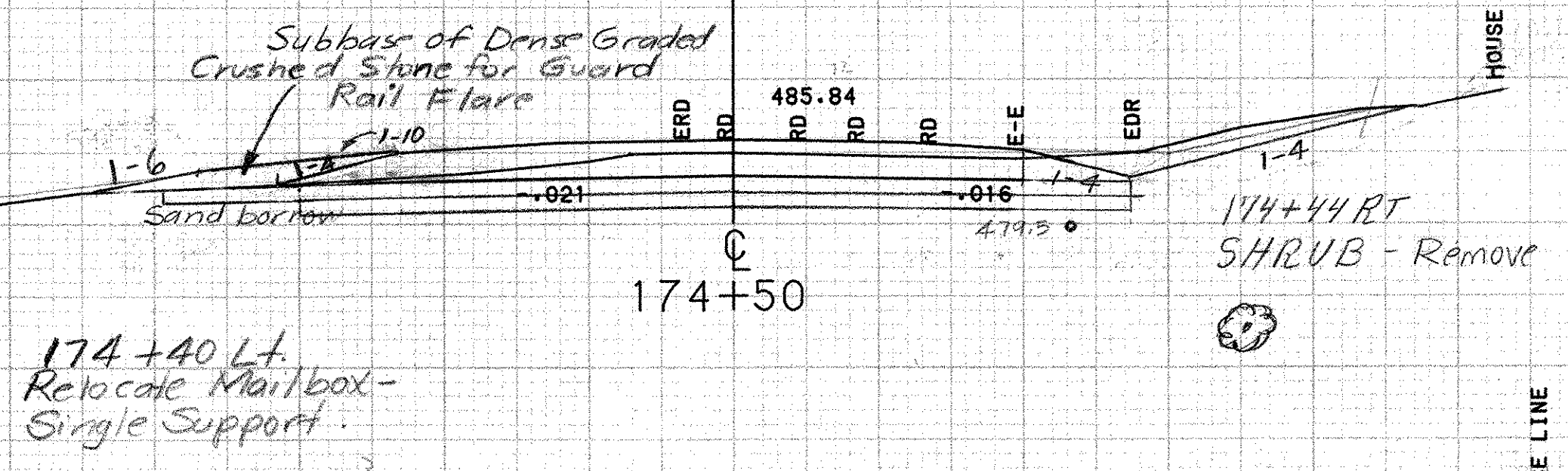
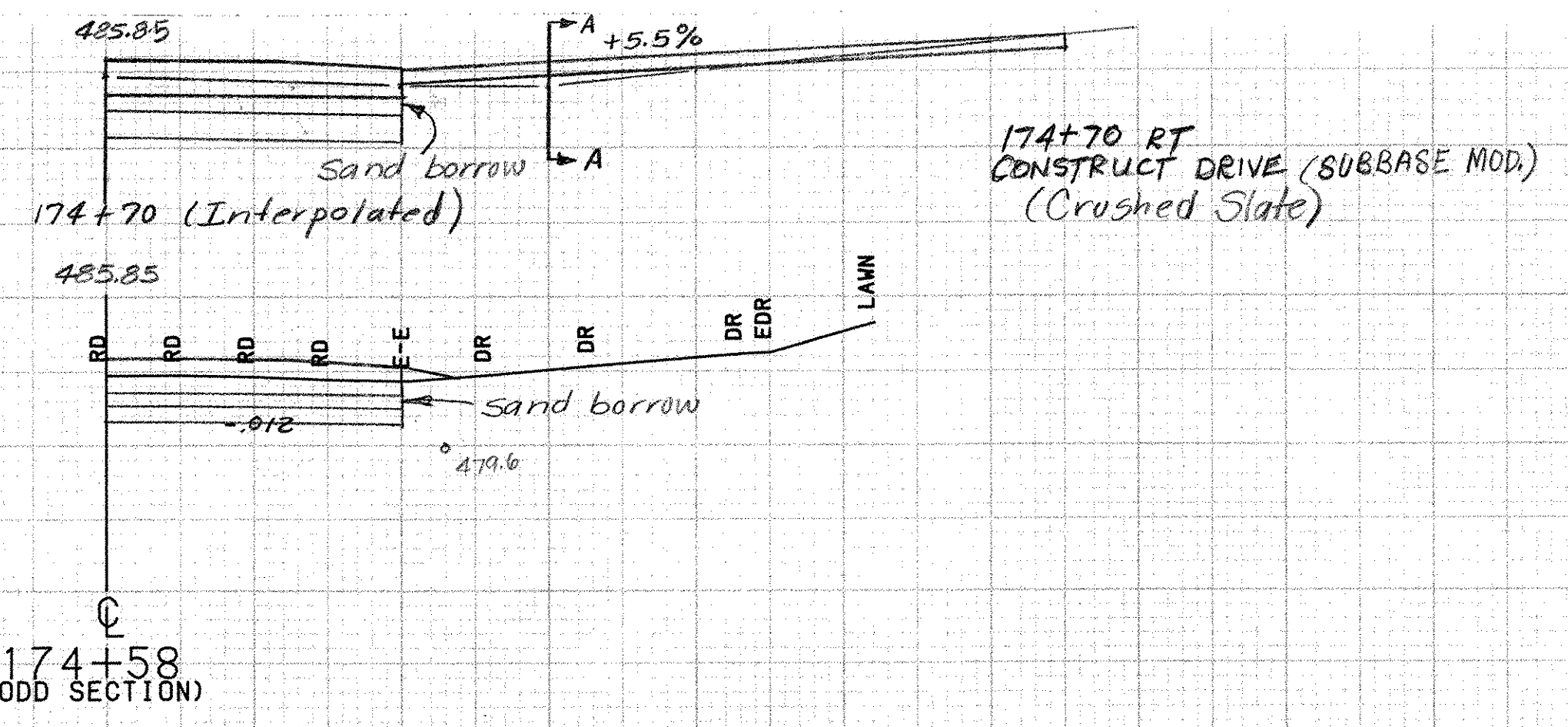
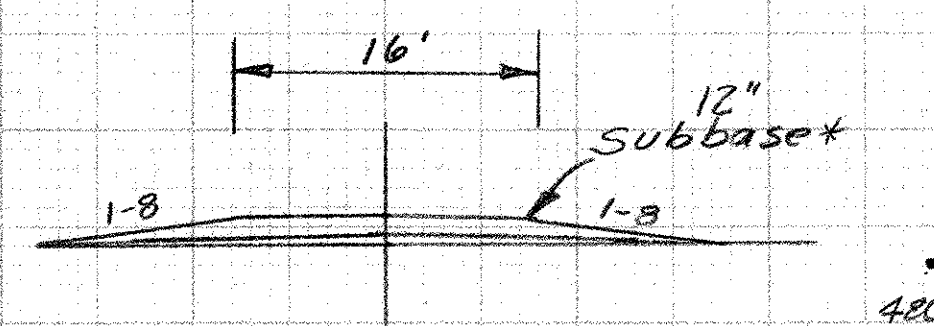


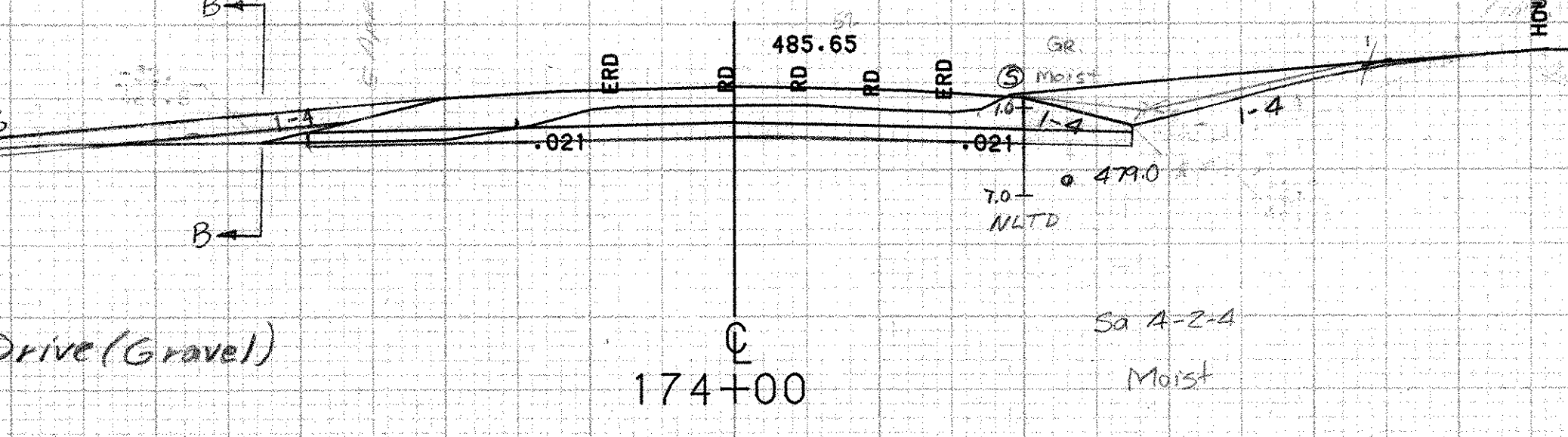
*3" Subbase of Crushed Gravel (Fine Graded) over 9" Dense Graded Crushed Stone



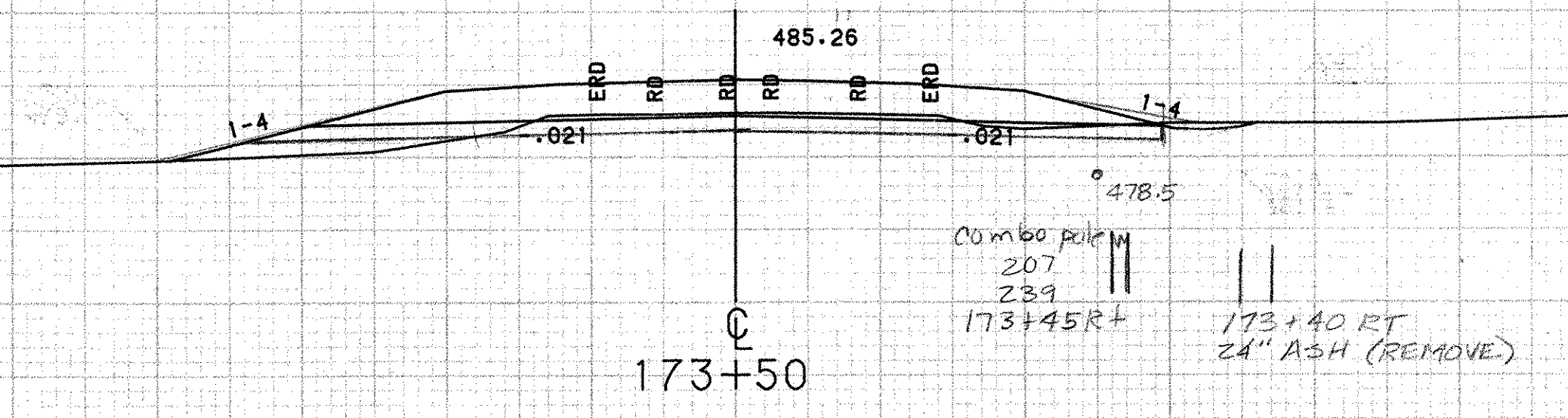
*3" Crushed slate over 9" Dense Graded Crushed Stone



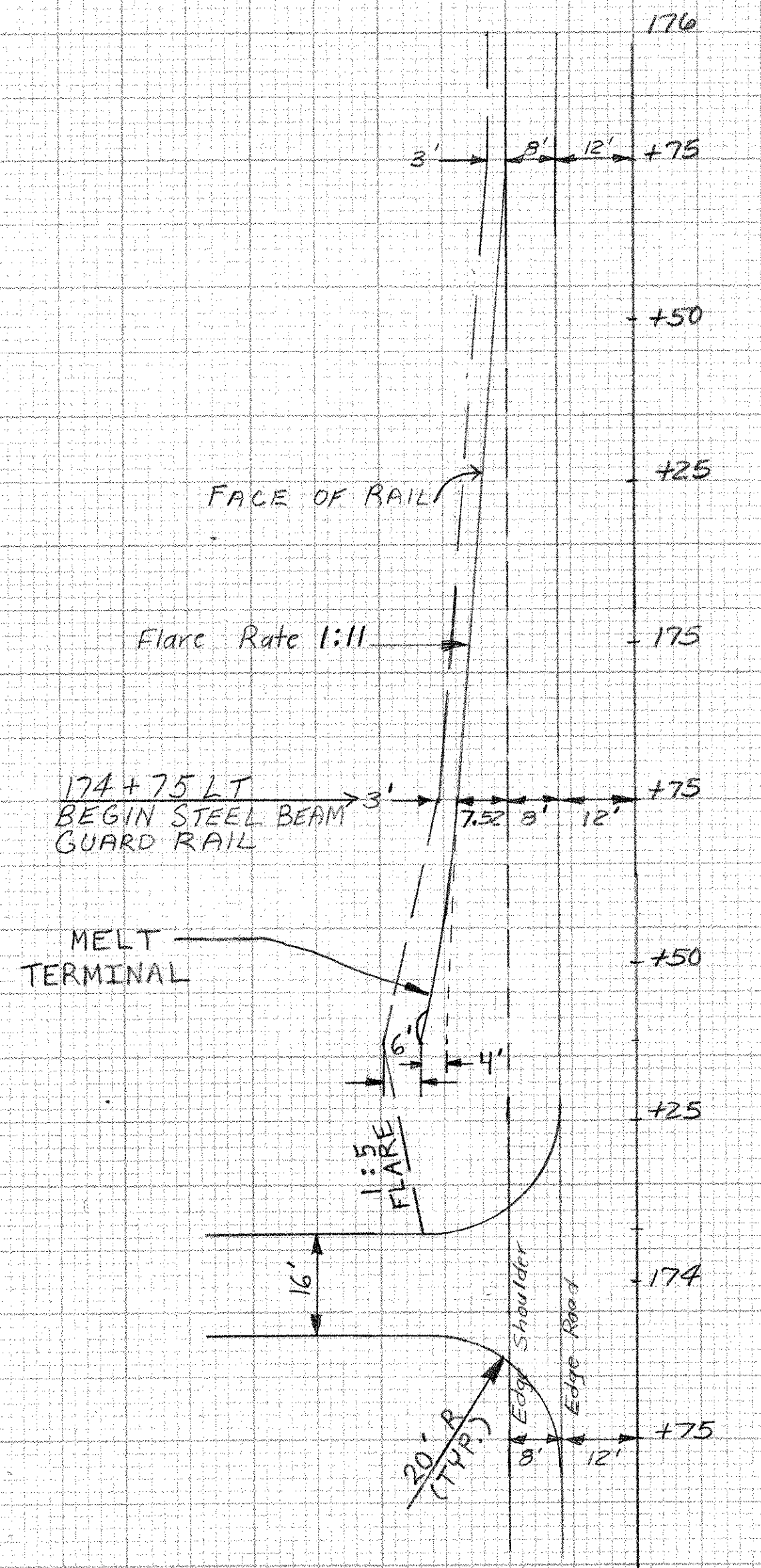
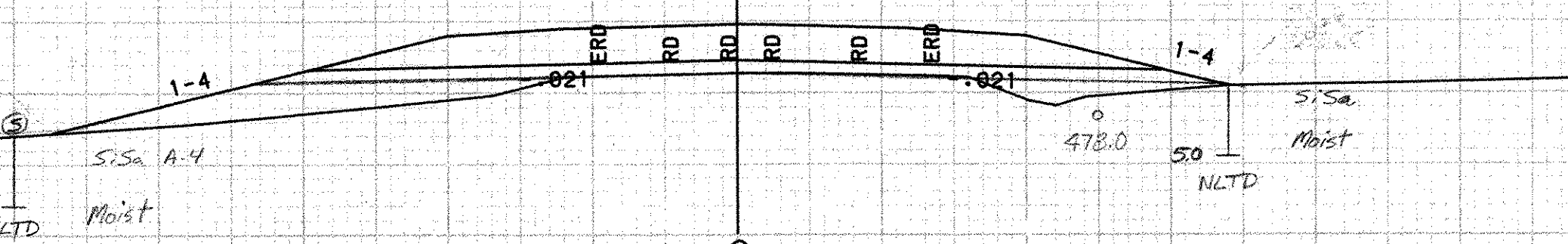
174+00 Lt. Construct Drive (Gravel)



174+37.5 ~ 174+75 LT MELT



173+00 Existing Pavement (9') (22' Wide Average) (16.5')



20' SCALE

SCALE 10 FEET

FROM STA. 173+00	TO STA. 174+58
PROJECT NAME MORETOWN	NO. 43 EGGERS 0167 (9)
SURVEYED BY MOREAU	PLOTTED 04/15/87
SHEET 79 OF 243 SHEETS	01/86 0039