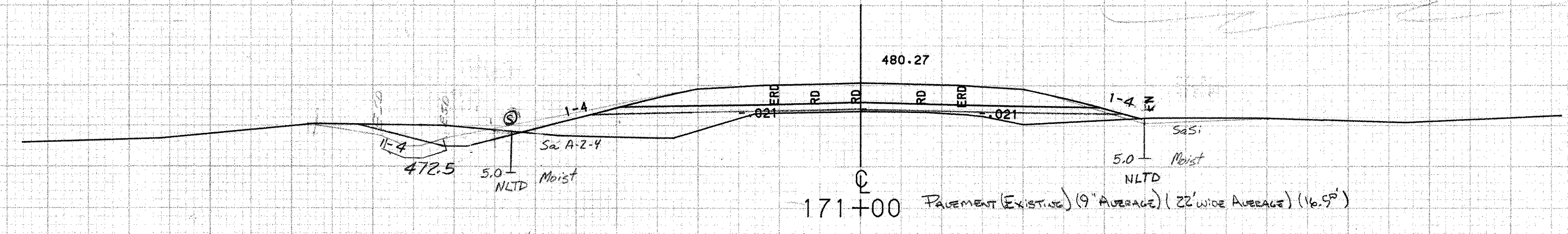
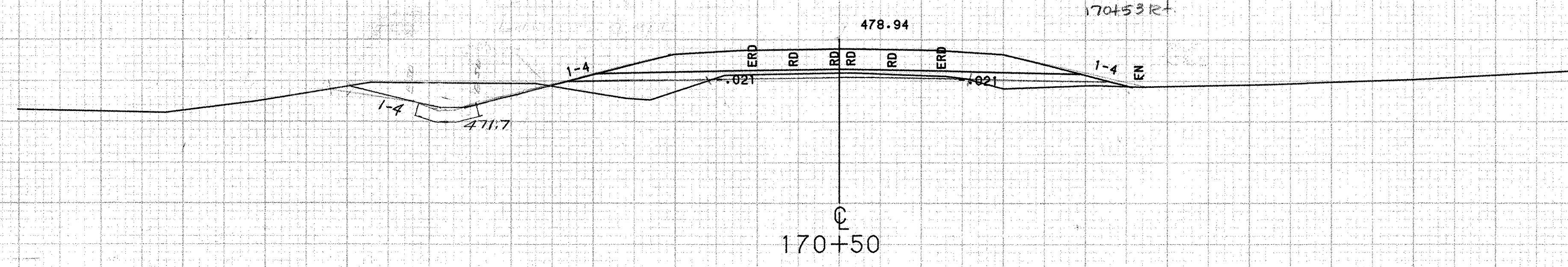


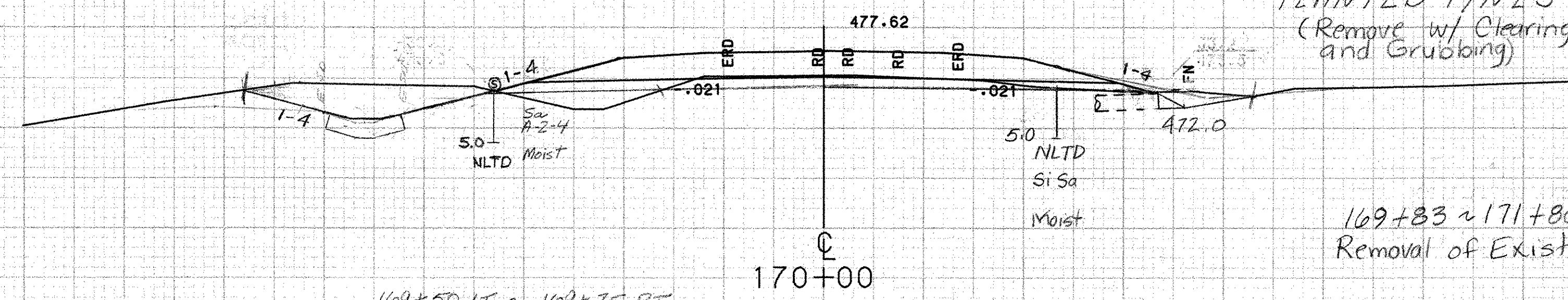
50
 STA. 170+25 CL ~ STA. 173+25 CL
 REMOVAL OF PAVEMENT 0-2' BELOW SUBGRADE
 (PAID AS COMMON EXCAVATION)



Combo pole
 241
 204
 170+53 RT



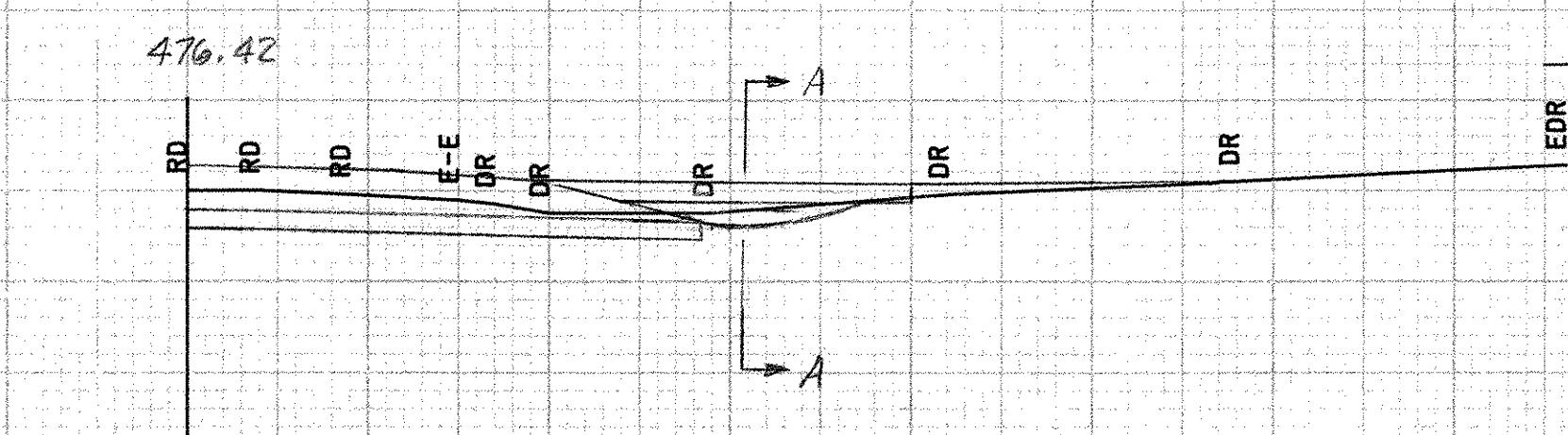
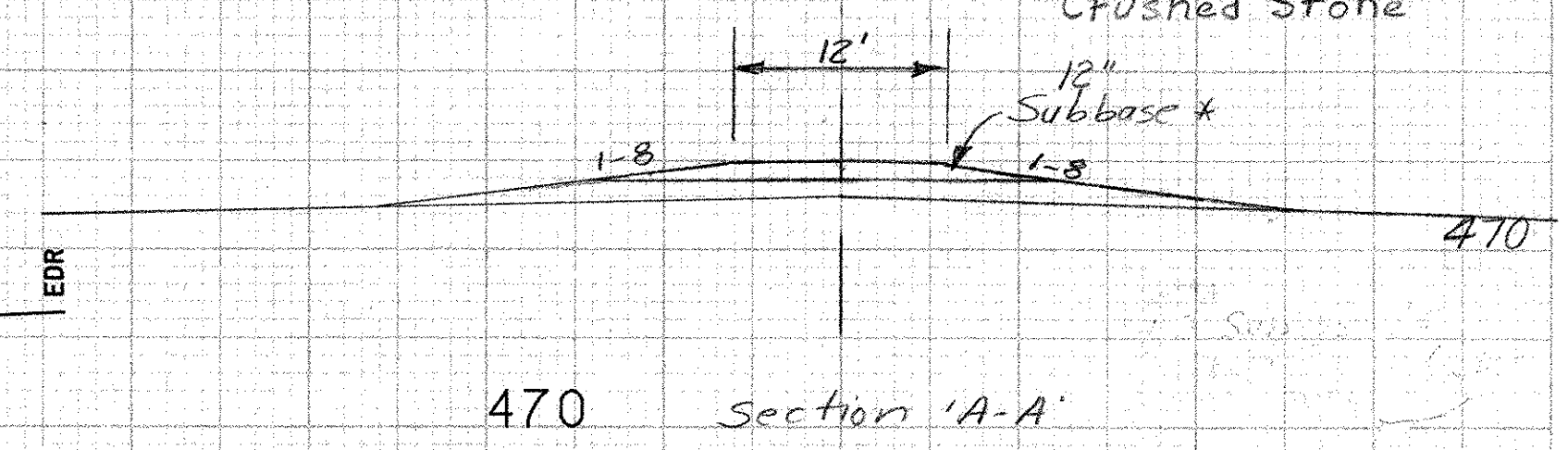
170+00 ~ 171+50
 PLANTED PINES
 (Remove w/ Clearing
 and Grubbing)



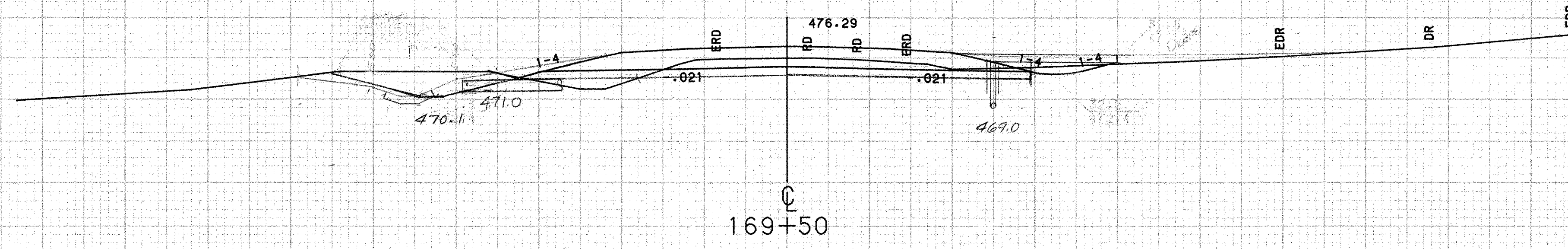
169+83 ~ 171+80 RT
 Removal of Existing Fence

169+50 LT. ~ 169+75 RT
 NEW 18" X 76" PCCSP (.064), CPER (SL),
 OR CRAP (.040) w/ END SECTION
 AND INLET DITCH

* 3" Subbase of
 Crushed Gravel
 (Fine Graded) over
 9" of Dense Graded
 Crushed Stone



169+55 RT
 Construct Drive (Gravel)
 Gate for Woven Wire Fence (16' Wide)
 (2-8' Gates w/ Opening in Middle)



FROM STA. 169+50 TO STA. 171+00
 PROJECT NAME MORETOWN
 NO. 75 E.C. RS0167 (9) PLOTTED 04/15/87
 SURVEYED BY MOREAU 01/86 0039
 SHEET 77 OF 243 SHEETS

SCALE 1" = 10 FEET