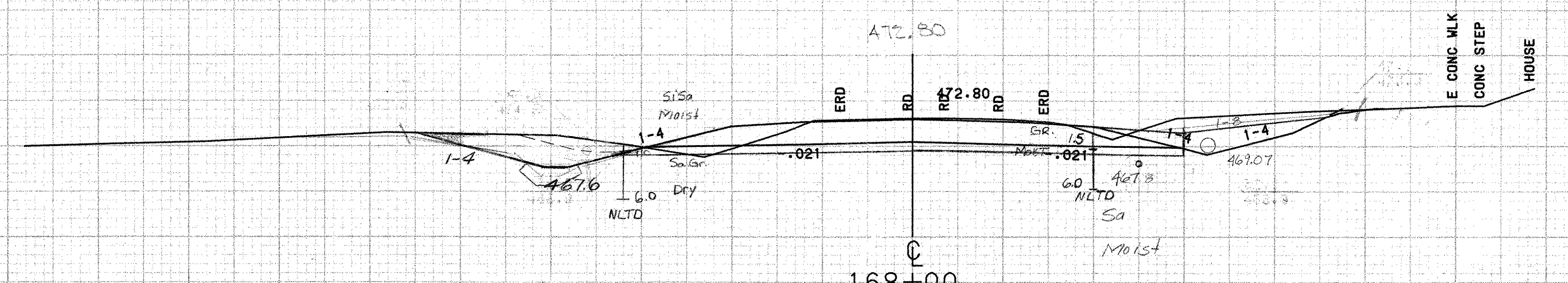
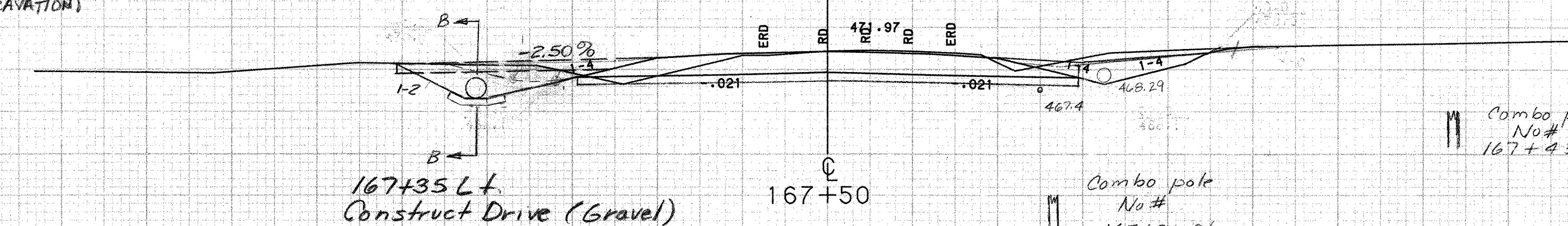


168+17 ~ 168+37 Rt.  
Remove existing 15" CGMP (Drive Culvert)  
w/ Common Excavation



167+61 ~ 172+50 Lt.  
CONSTRUCT SPECIAL DITCH  
WITH EROSION MATTING  
(PAY AS COMMON EXCAVATION)

167+93 Lt.  
Relocate Mail box -  
Single Support



Combo pole  
No#  
167+43 RT

FROM STA. 167+50	TO STA. 169+00
PROJECT NAME MORETOWN	NO. RS E66 RS0167 (9)
SURVEYED BY MOREAU	PLOTTED 04/15/87
SHEET 76 OF 243 SHEETS	01/86 0039

SCALE 1" = 10 FEET