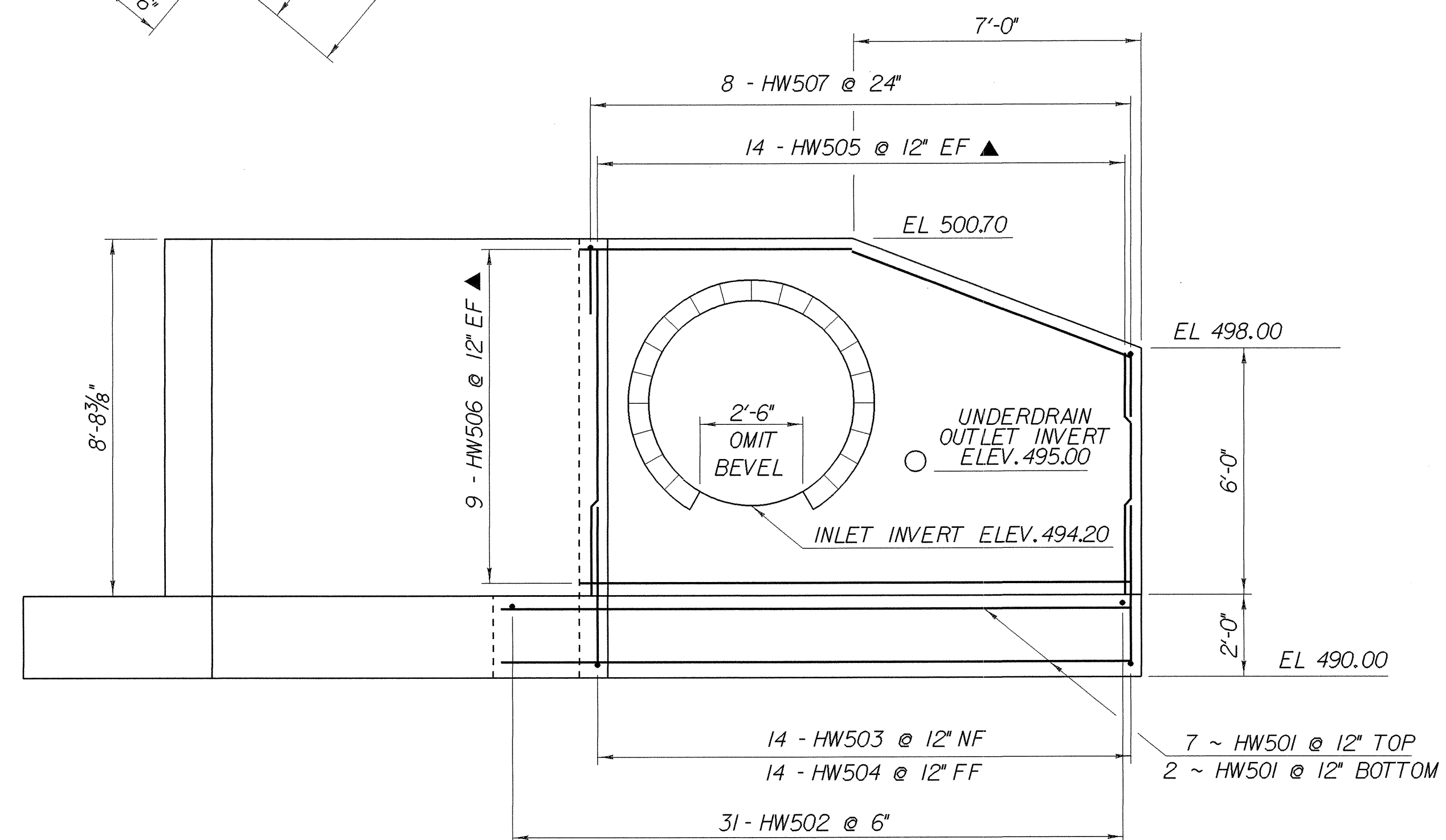


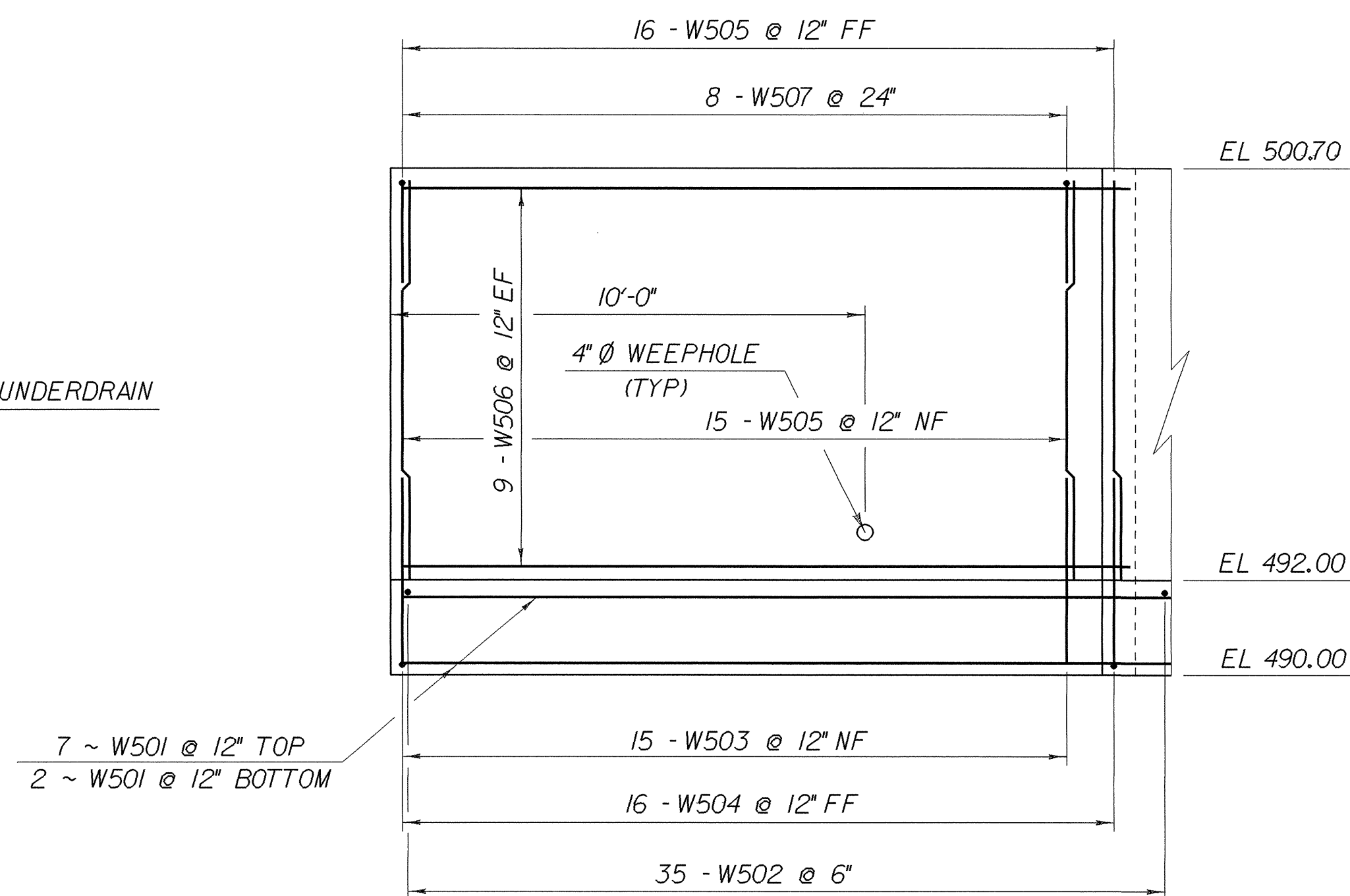
PLAN



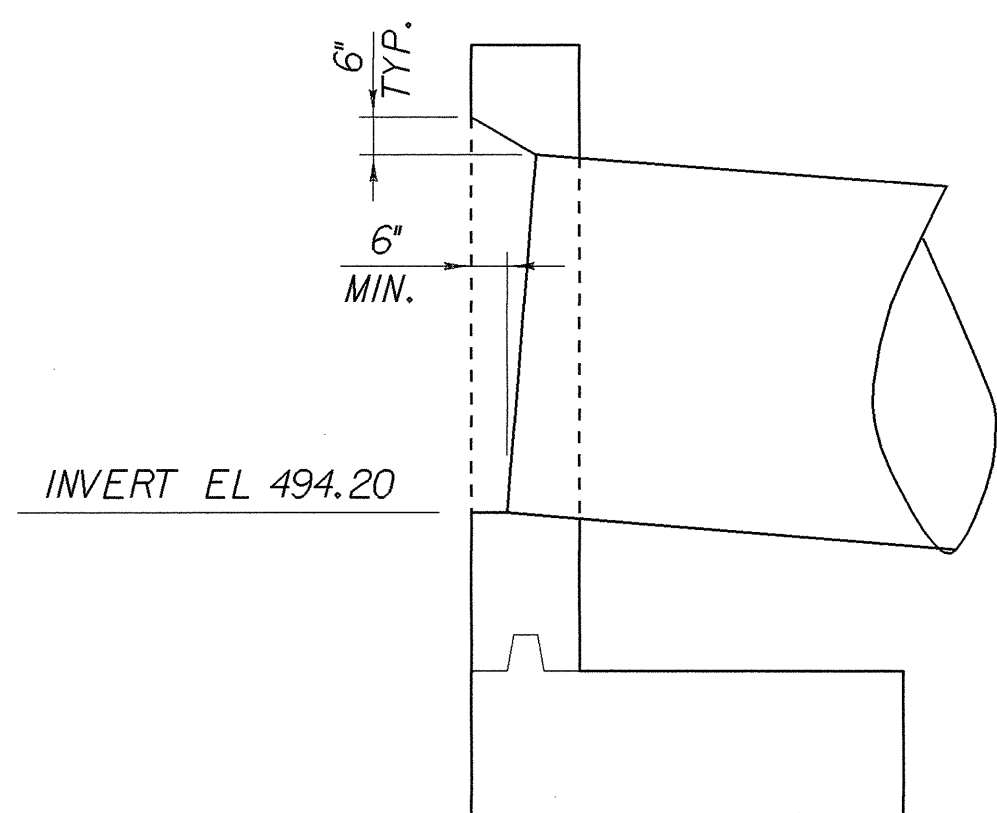
ELEVATION

INLET HEADWALL DETAILS

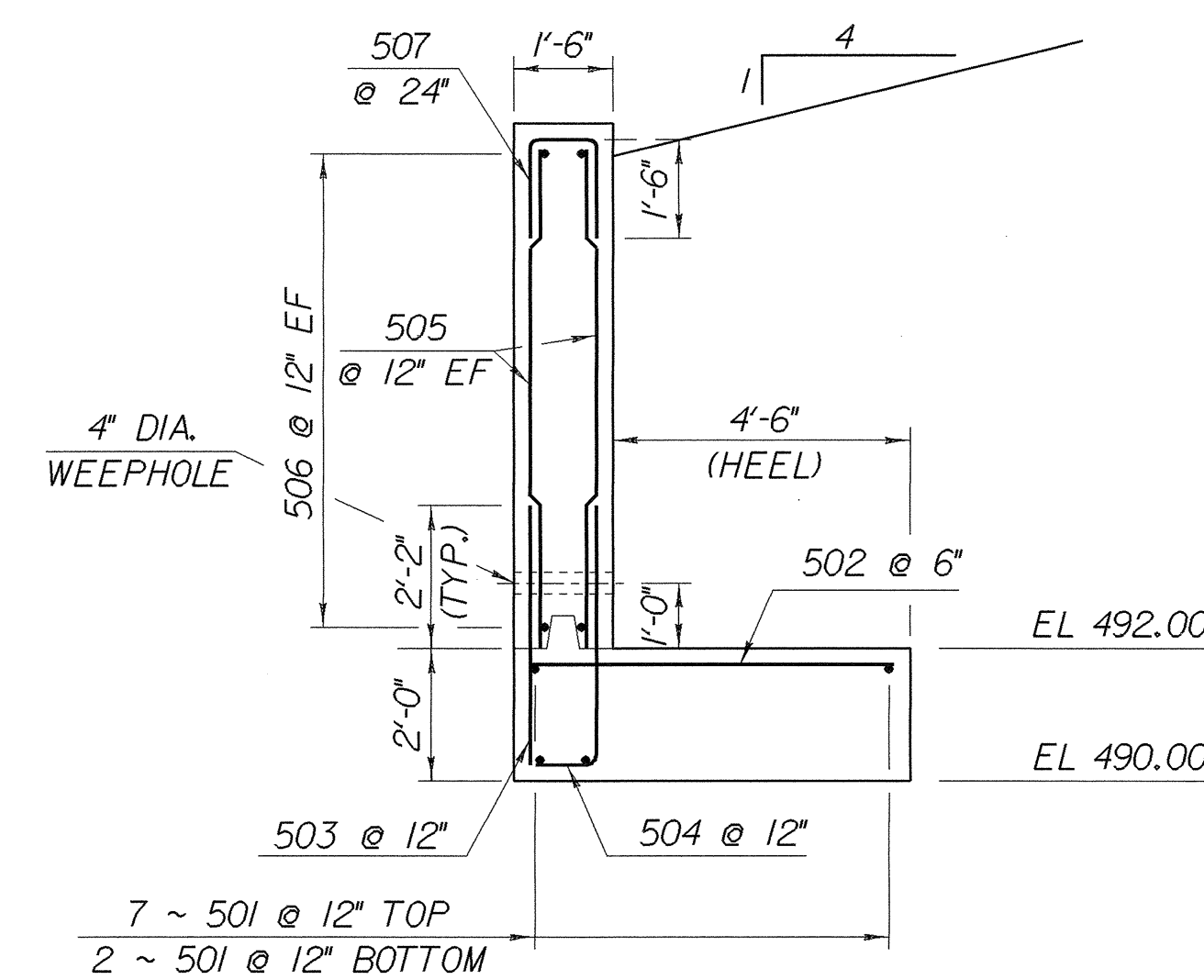
SCALE: 3/8" = 1'-0"



WINGWALL ELEVATION



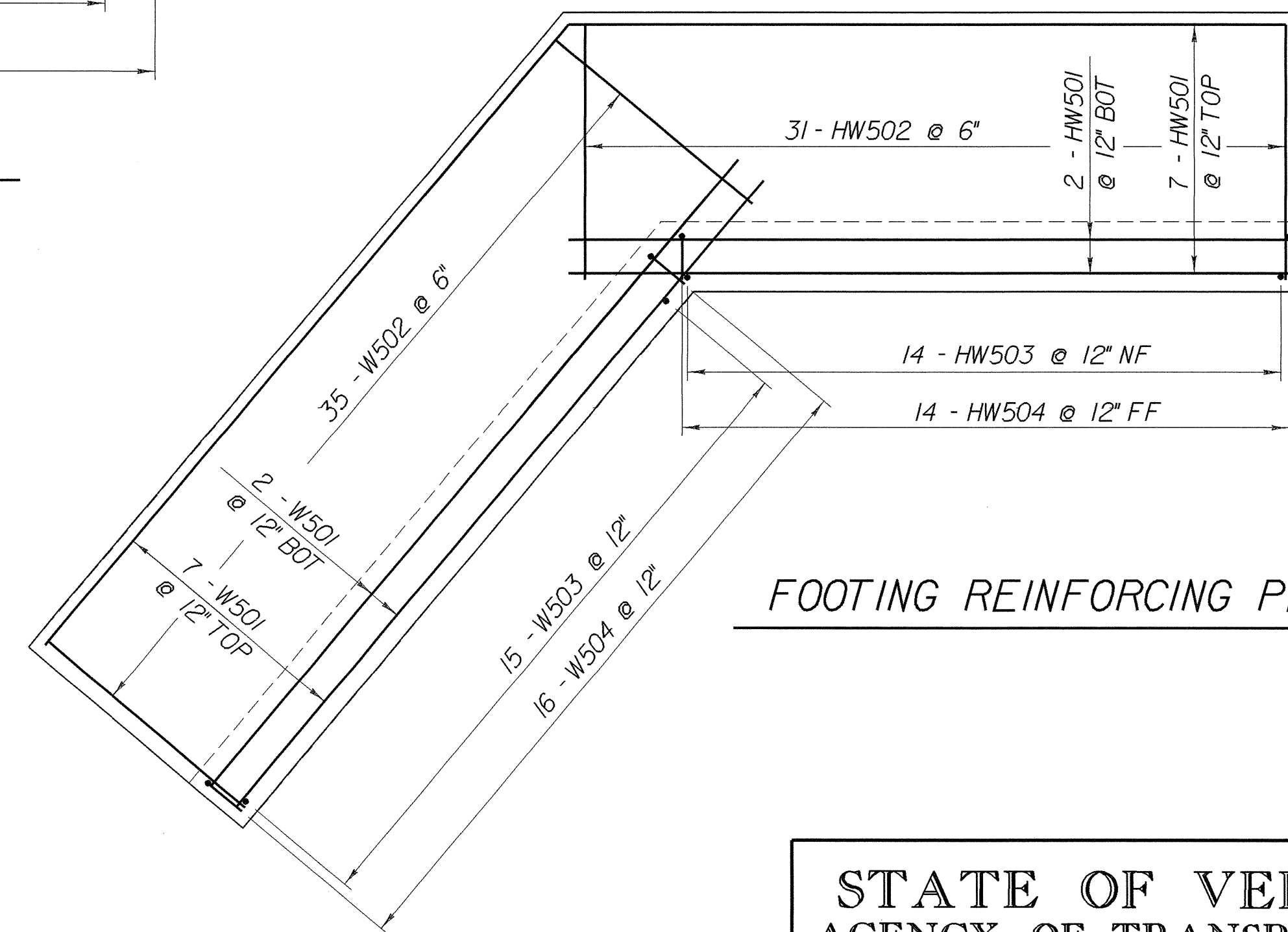
BEVELED INLET DETAILS



HEADWALL & WINGWALL TYPICAL

SCALE: 3/8" = 1'-0"

PREFIX FOR HEADWALL - HW
PREFIX FOR WINGWALL - W



FOOTING REINFORCING PLAN

NOTE:

- NF = NEAR FACE
- FF = FAR FACE
- EF = EACH FACE
- ▲ = CUT TO FIT IN FIELD
- 3" CLR. UNLESS OTHERWISE SPECIFIED ON THE PLANS.

**STATE OF VERMONT
AGENCY OF TRANSPORTATION**

Town Of	MORETOWN	Bridge No.	
Highway No.	VT RTE 100	Log Sta.	
		Surv. Sta.	
NEW 60" X 258' CULVERT UNDER VT 100			
INLET HEADWALL DETAILS			
Designed By	R. WHITCOMB	Drawn By	R. WHITCOMB
Checked By	Date	Bridge Design Supervisor	Surv. Sta.
G. ROY	3/95	J.H. WEAVER	Date 3/95
PROJECT	MORETOWN	PROJECT NO.	RS EGC-RS 0167(9)
I.G.C. Info.	/str3/78el32/sel32.dgn	sel32hw.j	
Bridge Sheet No.		Sheet	68 of 243