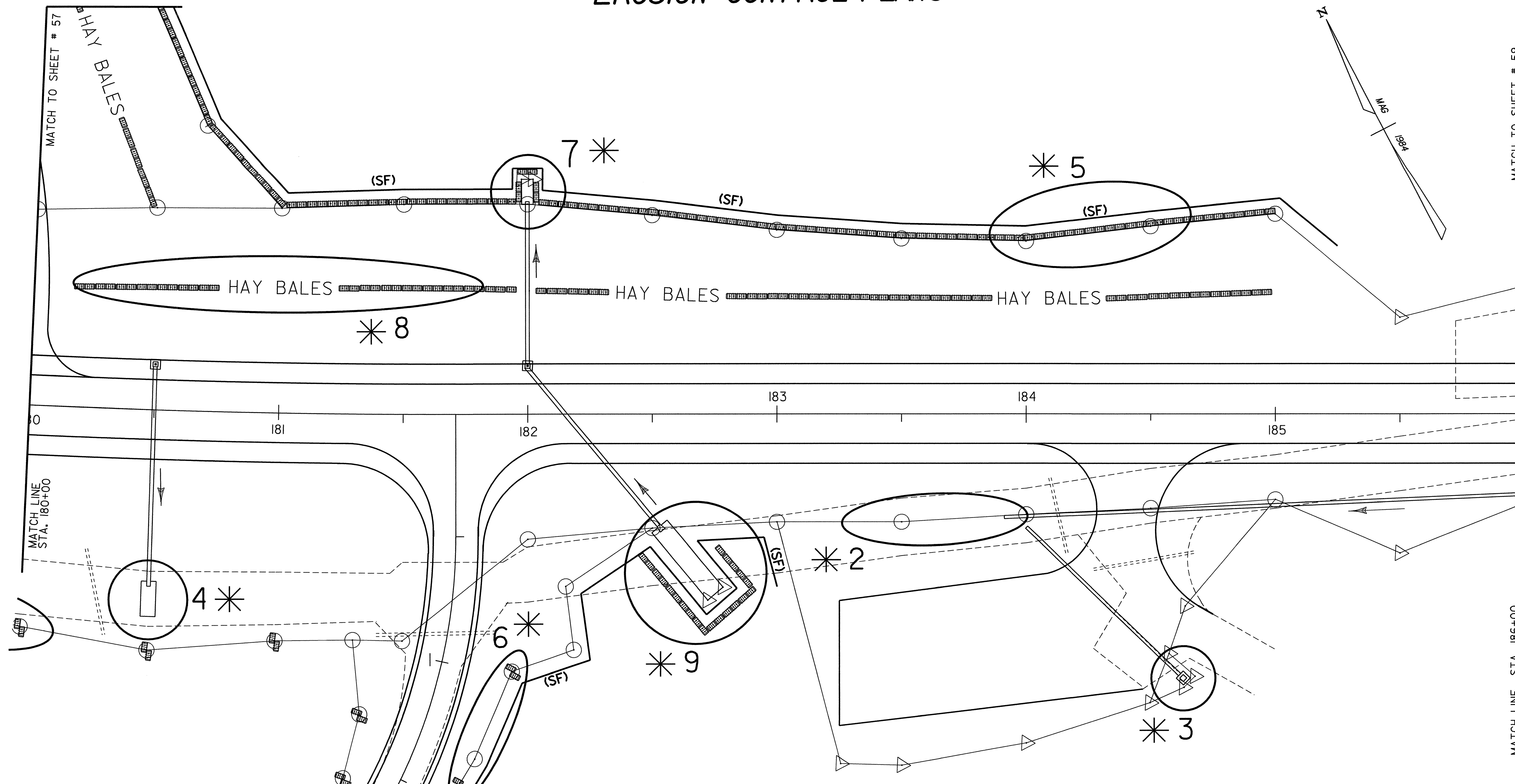


EROSION CONTROL PLANS



DATUM
 VERTICAL NGVD 1929
 HORIZONTAL N/A

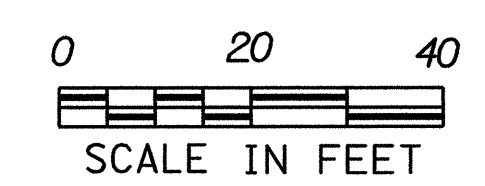
TH 66 POC 2+53
 END APPROACH
 CONSTRUCTION

GEOTEXTILE FOR SILT FENCE
 TH 66 I+80 LT. ~ ML 183+00 RT.
 DR. STA. 11+39 RT. ~ ML 185+25 LT.

* SEE EROSION CONTROL PLANS TYPICAL SHEET

(SF) DENOTES GEOTEXTILE FOR SILT FENCE

THIS SHEET IS FOR EROSION CONTROL USE ONLY



SURVEYED BY	<u>FANTONI</u>	DATE	<u>1/87</u>
DRAWN BY	<u>SQUAD B</u>	DATE	<u>8/87</u>
SQUAD LEADER	<u>DELLA SANTA</u>		
DESIGN FILE NO./	<u>SQDB/84E058/DE058ER0.DGN</u>		
IPARM FILE	<u>DE132ER4</u>	DATE PLOTTED	<u>05-NOV-1999</u>
PROJ. NAME	<u>MORETOWN</u>		
PROJ. NO.	<u>RSEGC-RS 0167(9)</u>		
SHEET	<u>58</u> OF <u>243</u> SHEETS		