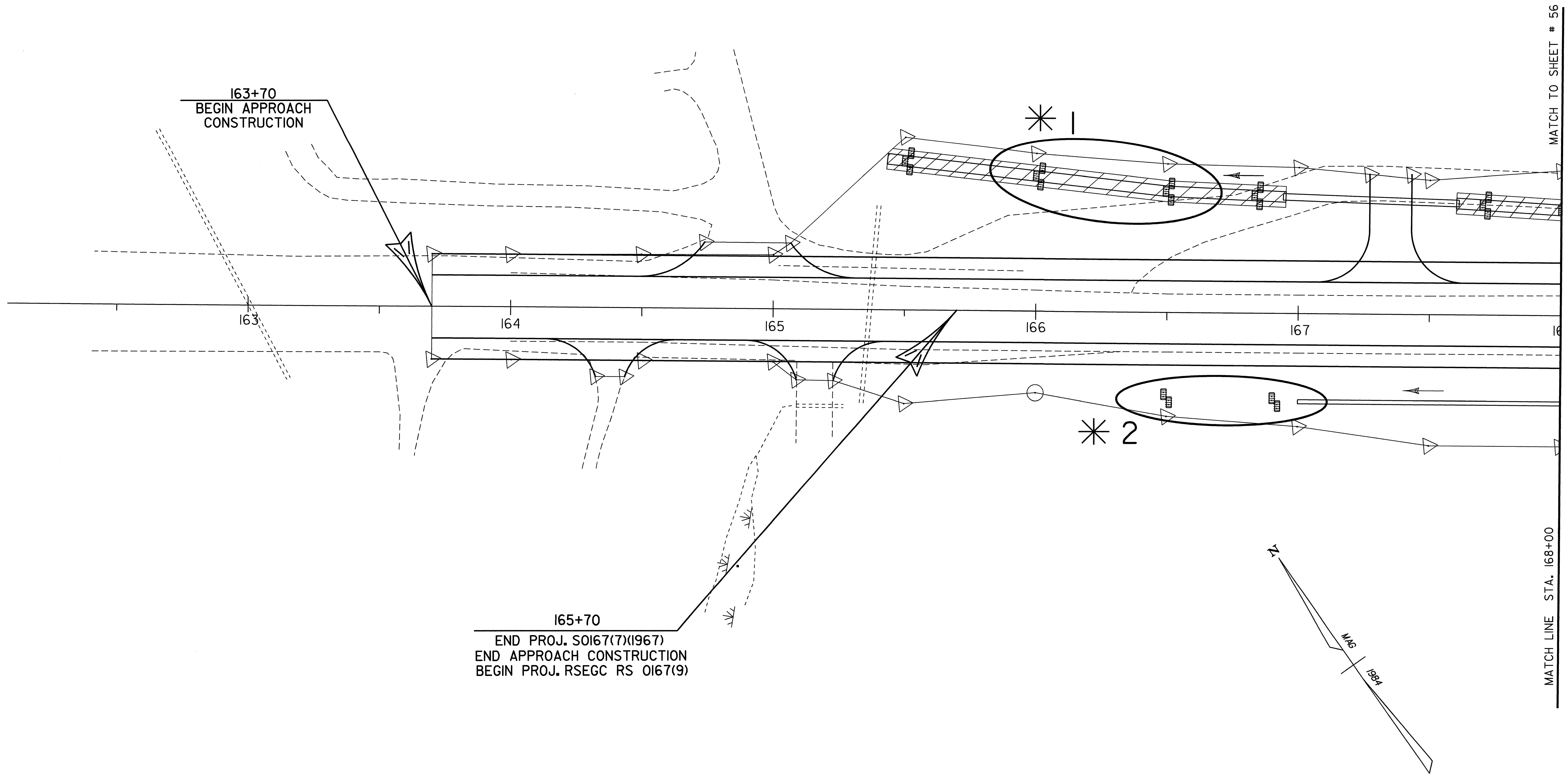


EROSION CONTROL PLANS



* SEE EROSION CONTROL PLANS TYPICAL SHEET

THIS SHEET IS FOR EROSION CONTROL USE ONLY

DATUM
 VERTICAL NGVD 1929
 HORIZONTAL N/A

0 20 40
 SCALE IN FEET

SURVEYED BY	<u>FANTONI</u>	DATE	<u>1/87</u>
DRAWN BY	<u>SQUAD B</u>	DATE	<u>8/87</u>
SQUAD LEADER	<u>DELLA SANTA</u>		
DESIGN FILE NO.	<u>/SQDB/84E058/DE058ERO.DGN</u>		
IPARM FILE	<u>DE132ERI</u>	DATE PLOTTED	<u>05-NOV-1999</u>
PROJ. NAME	<u>MORETOWN</u>		
PROJ. NO.	<u>RSEGC-RS 0167(9)</u>		
SHEET	<u>55</u>	OF	<u>243</u> SHEETS