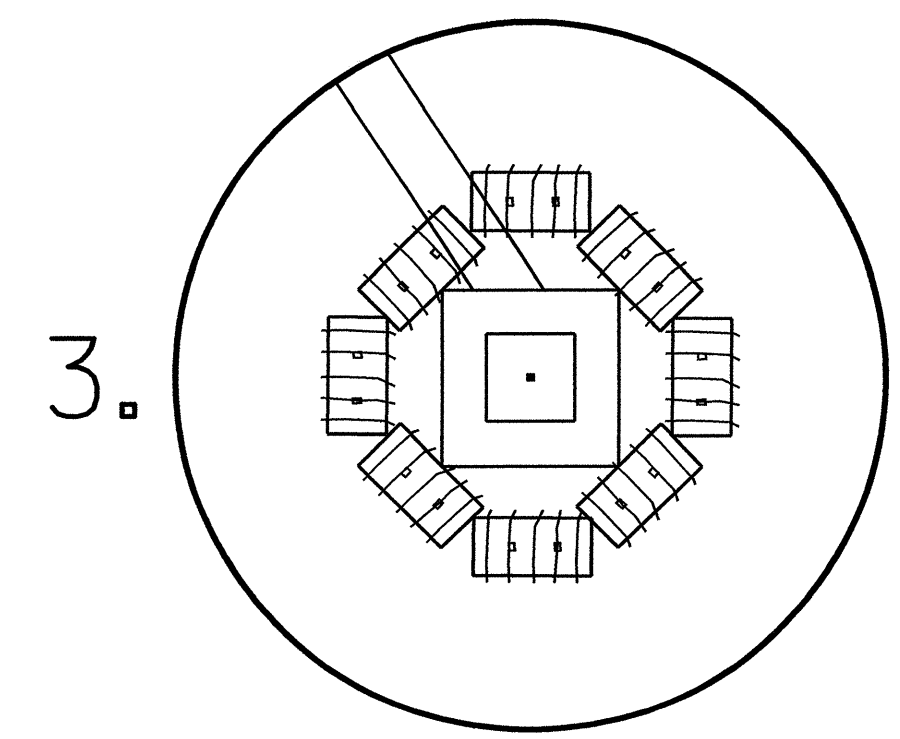
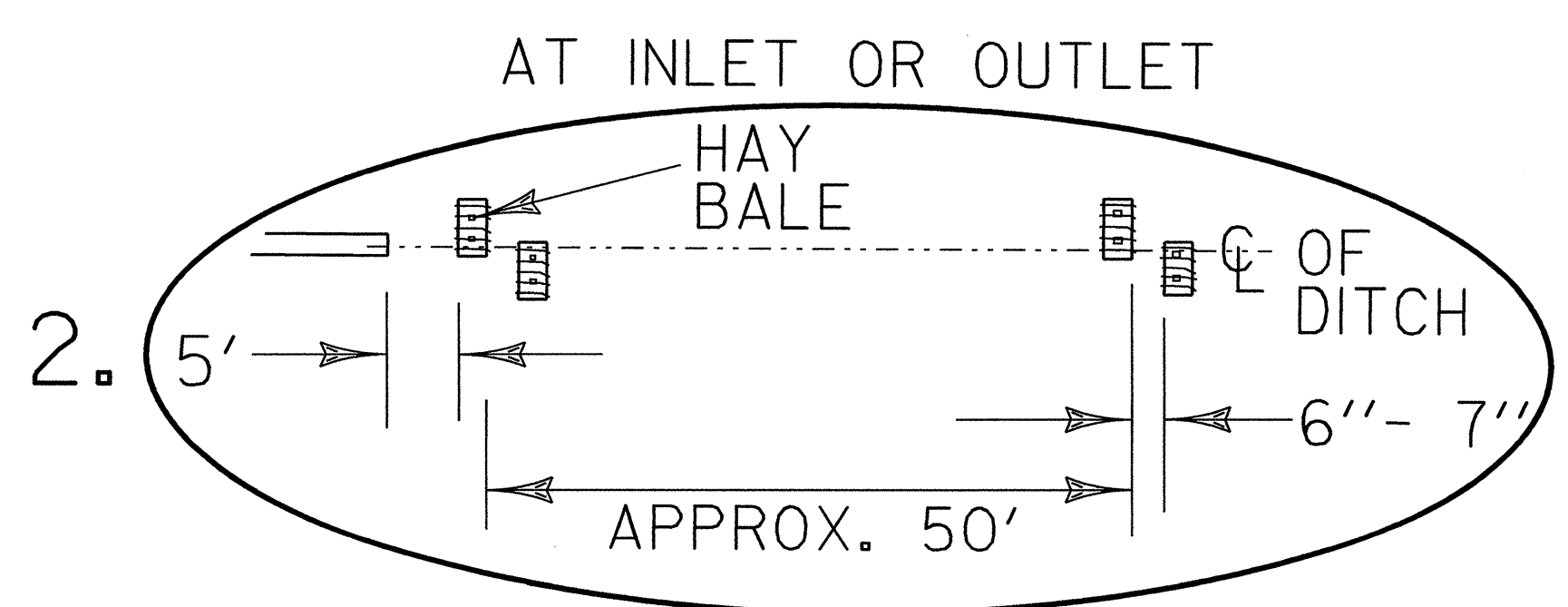
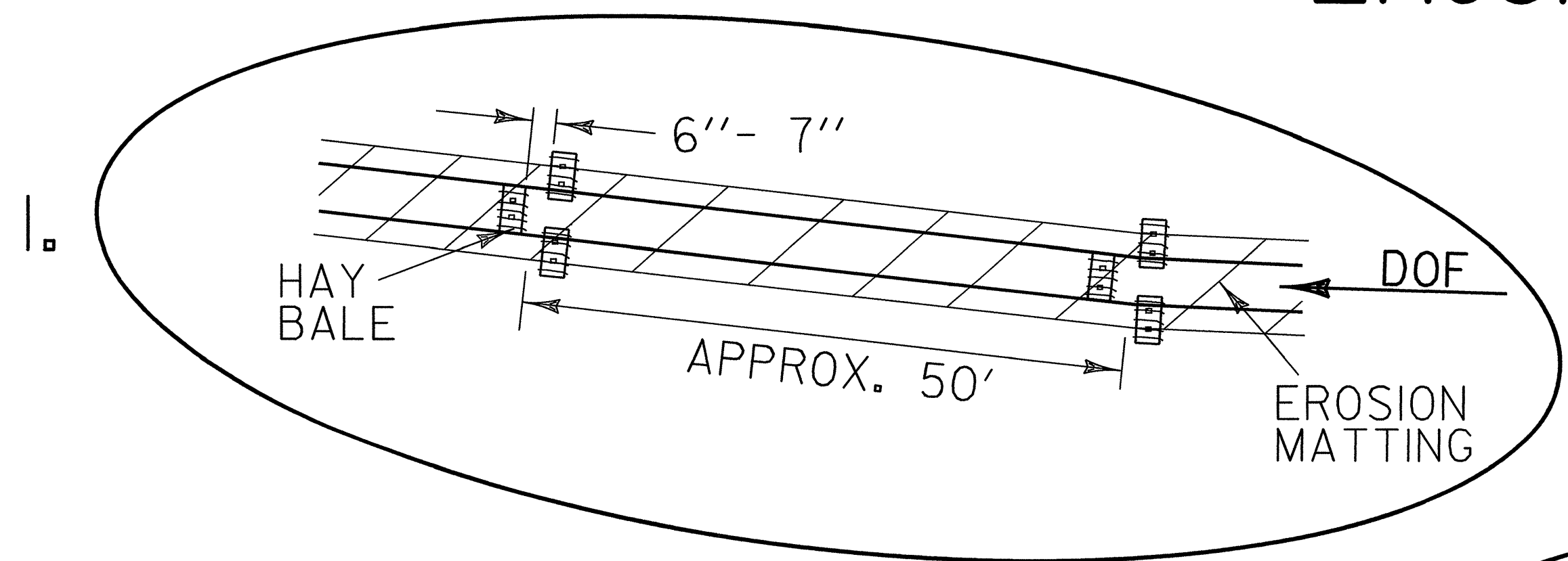
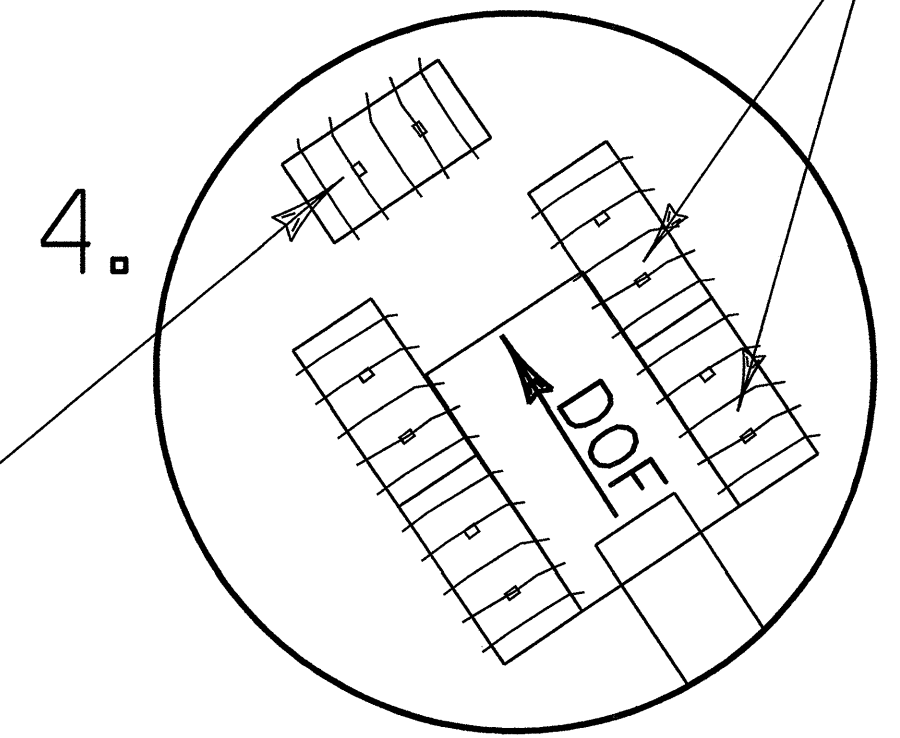


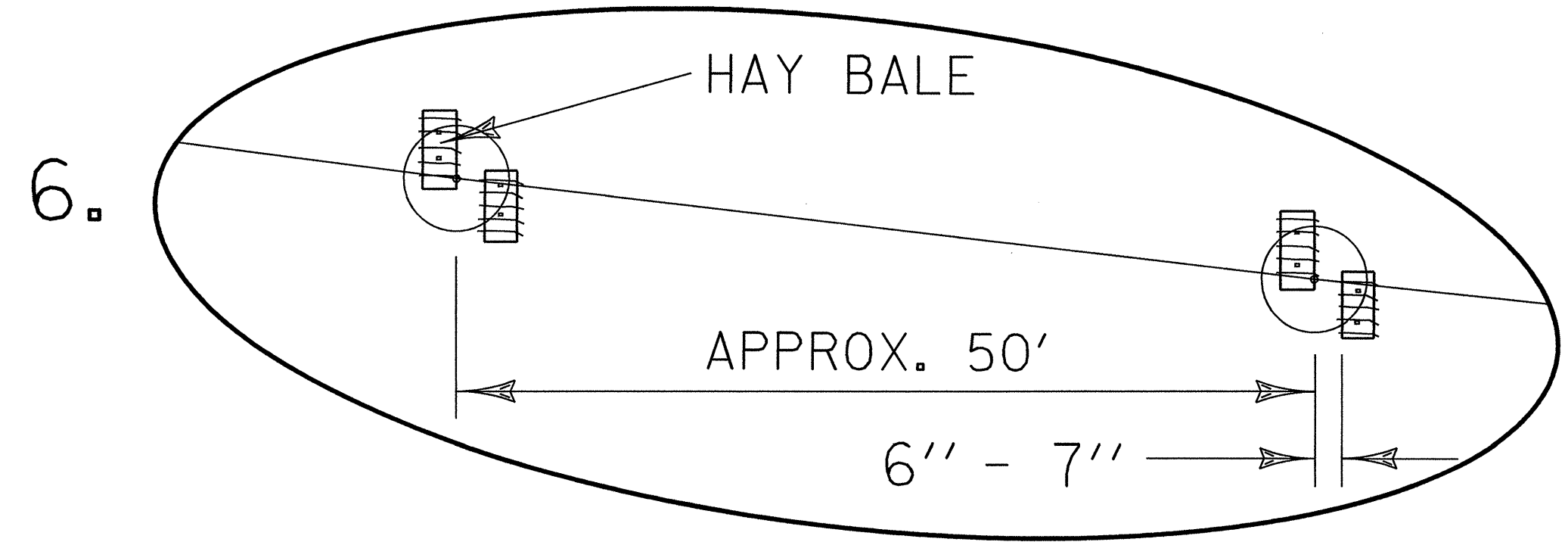
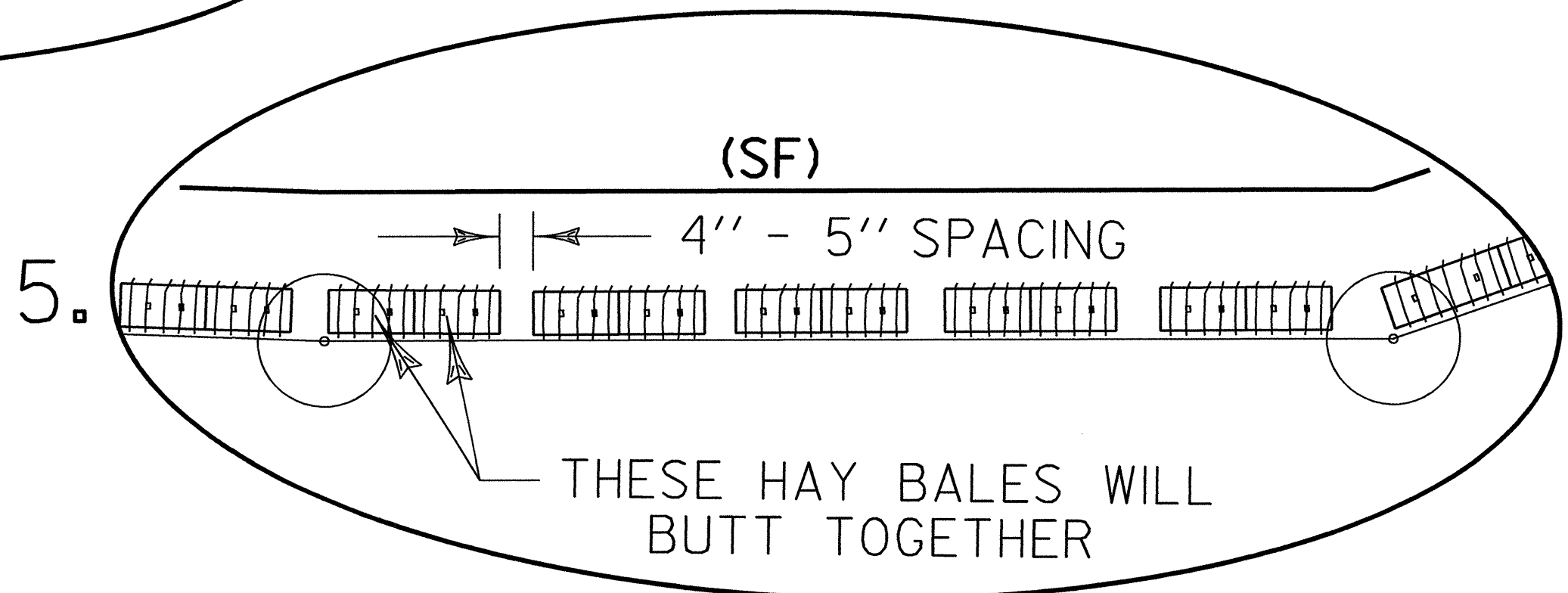
# EROSION CONTROL PLANS TYPICAL SHEET



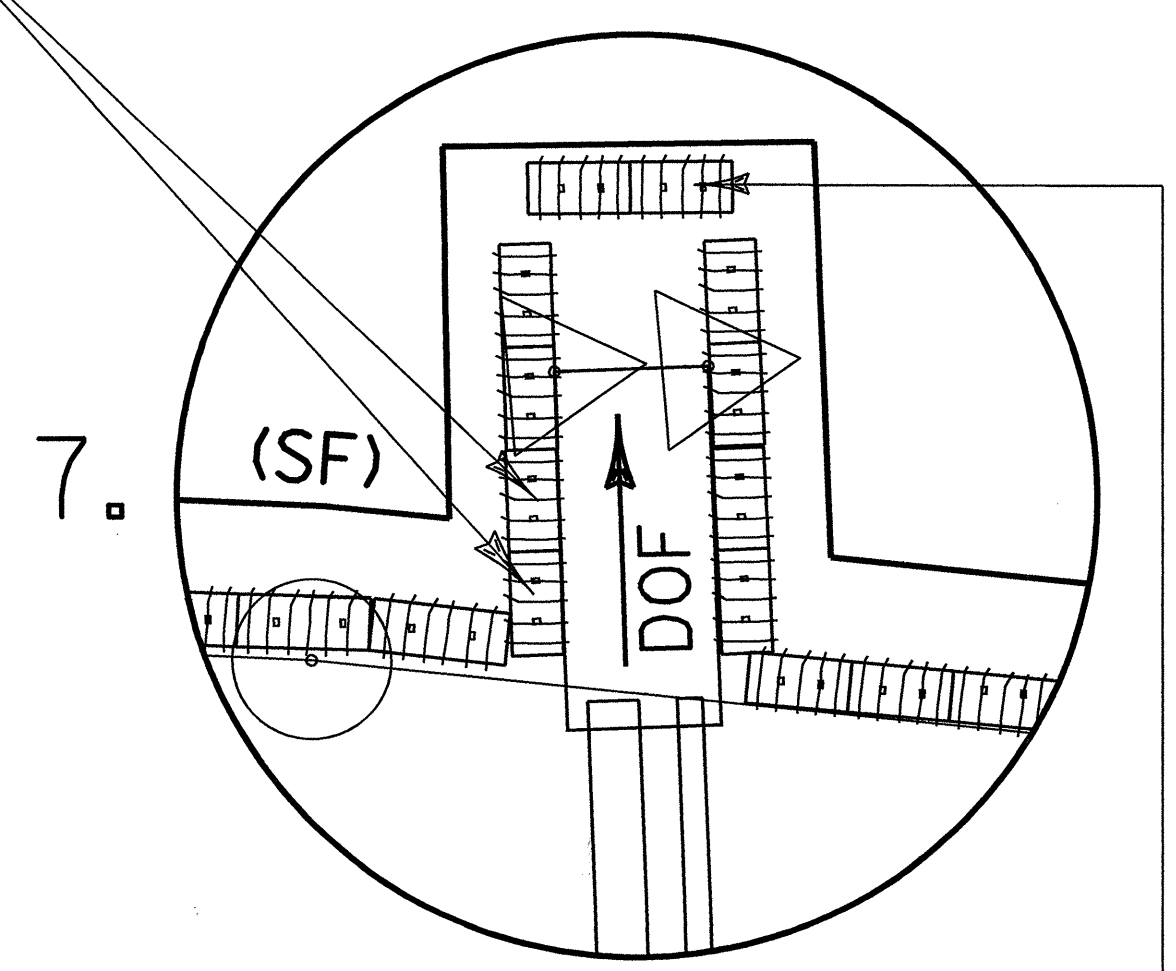
THESE HAY BALES WILL BUTT TOGETHER



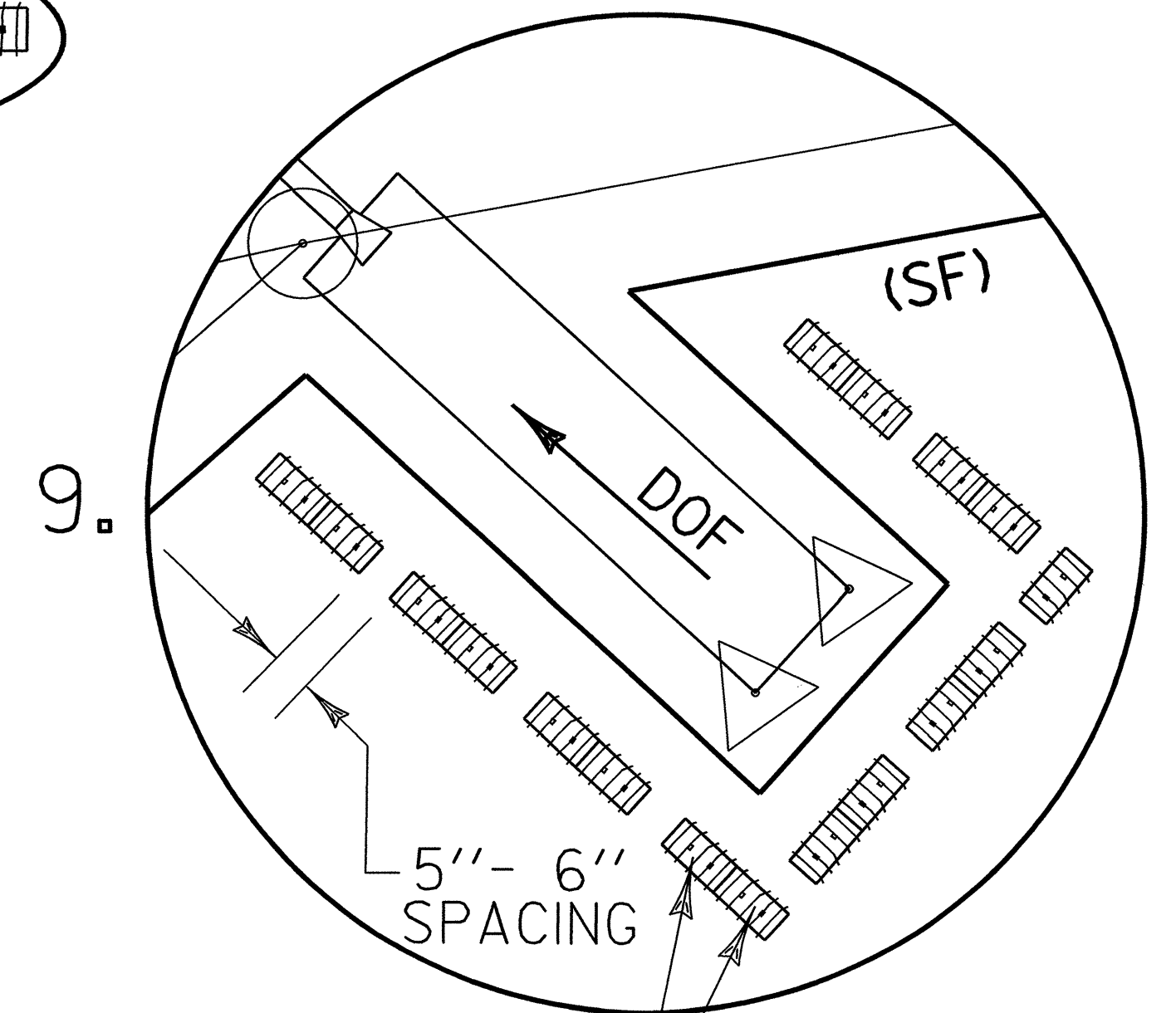
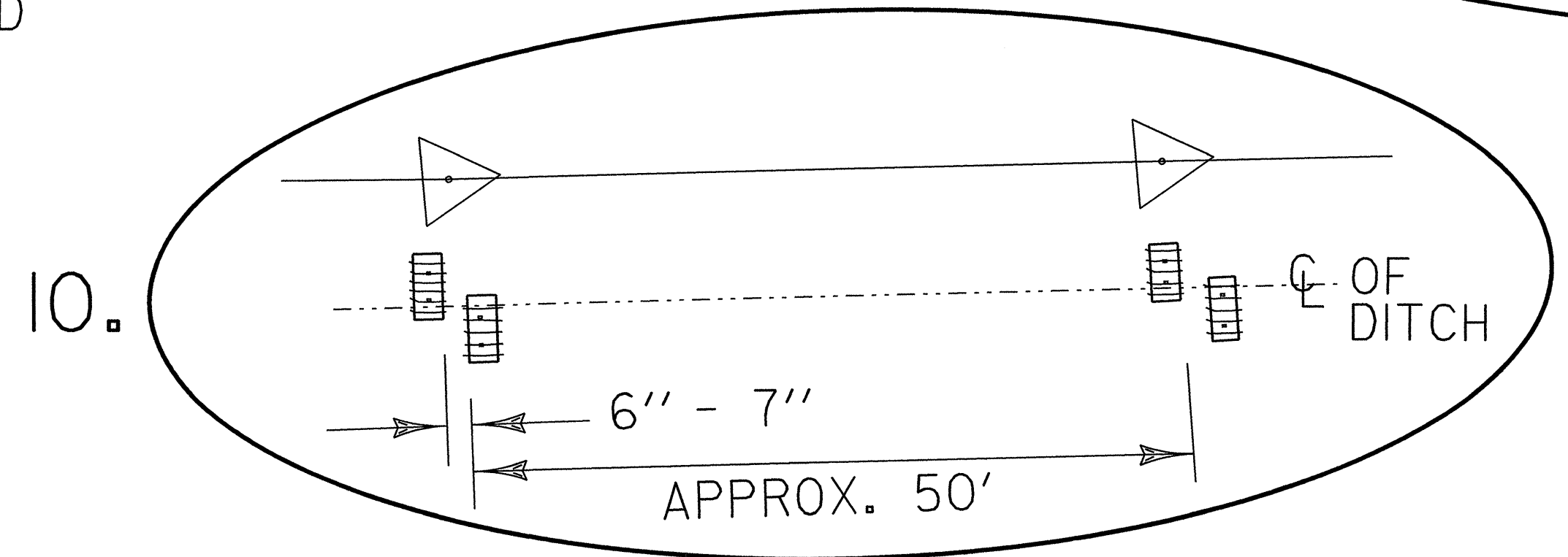
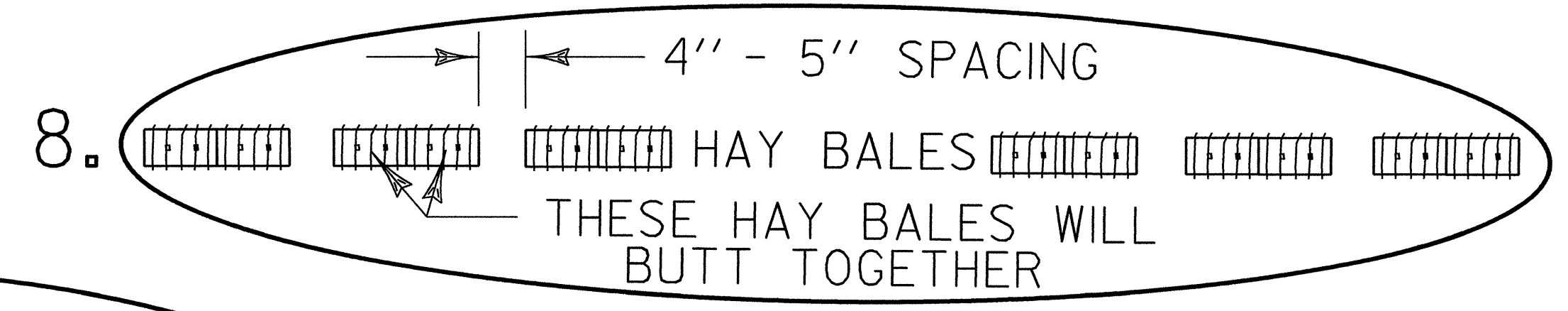
THIS HAY BALE WILL BE PLACED 3'-4' FROM END OF STONE PAD OR END OF CULVERT



THESE HAY BALES WILL BUTT TOGETHER



THESE HAY BALES WILL BE PLACED 6'-7' FROM END OF STONE PAD OR END OF CULVERT AND WILL BUTT TOGETHER



THESE HAY BALES WILL BUTT TOGETHER

## GENERAL NOTES

1. EROSION CONTROL MATERIALS WILL BE PLACED AS ILLUSTRATED ON NEWLY CONSTRUCTED AREAS AS SOON AS POSSIBLE.
2. DURING CONSTRUCTION EVERY EFFORT WILL BE MADE TO KEEP DEBRIS AND SEDIMENT OUT OF THE DITCH. HAY BALES WILL BE USED AS ILLUSTRATED TO INSURE BANK STABILITY.
3. THE HAY BALES SHALL BE INSPECTED AND CLEANED AS NEEDED.



(SF) DENOTES GEOTEXTILE FOR SILT FENCE

THIS SHEET IS FOR EROSION CONTROL USE ONLY

DATUM	
VERTICAL	NGVD 1929
HORIZONTAL	N/A

SURVEYED BY	FANTONI	DATE	1/87
DRAWN BY	SQUAD B	DATE	8/87
SQUAD LEADER	DELLA SANTA		
DESIGN FILE NO.	/SODB/84E058/DE058ERO.DGN		
IPARM FILE	DE058ETY	DATE PLOTTED	05-NOV-1999
PROJ. NAME	MORETOWN & MORETOWN - MIDDLESEX		
PROJ. NO.	RSEGC-RS 0167(9)	BRS	0167(11)
SHEET	54 OF 243 SHEETS		

NOT TO SCALE