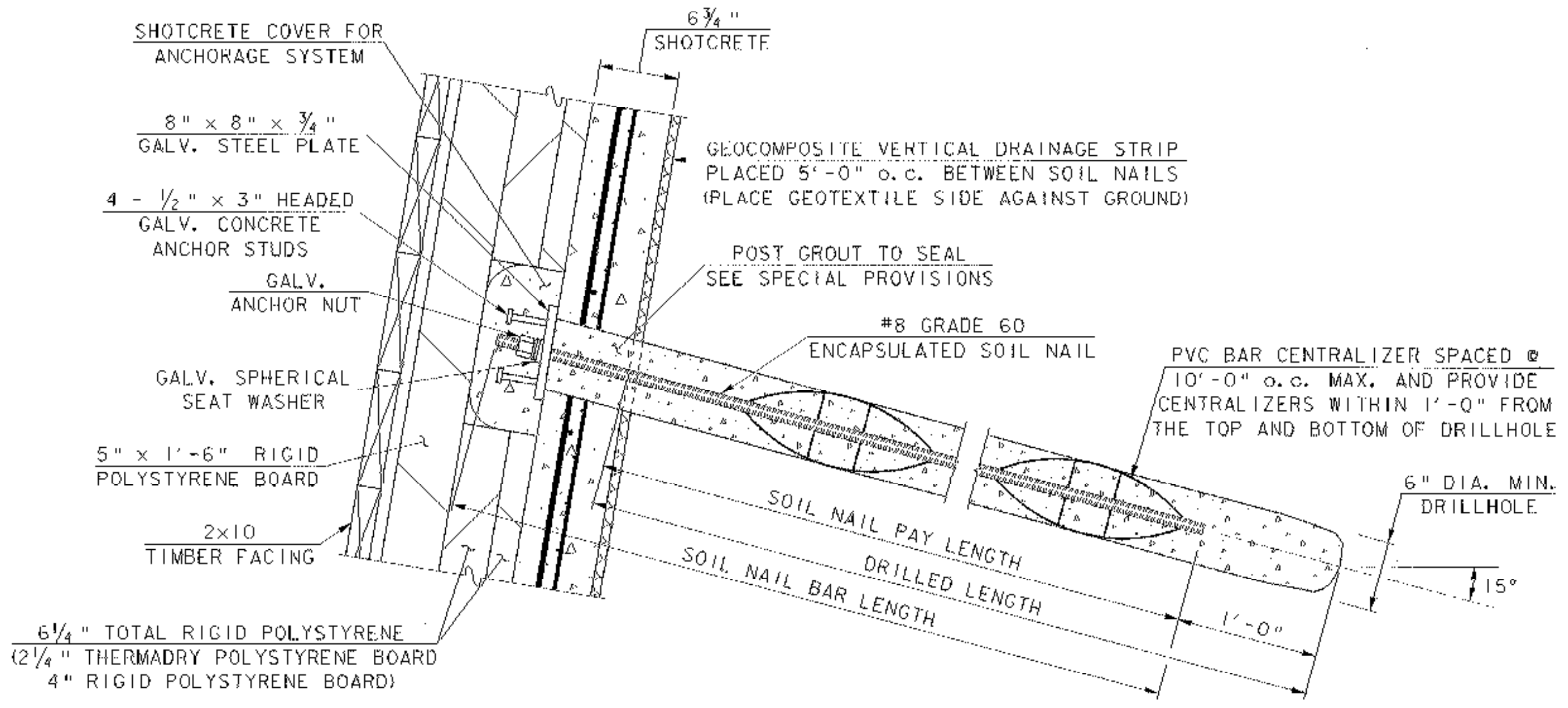
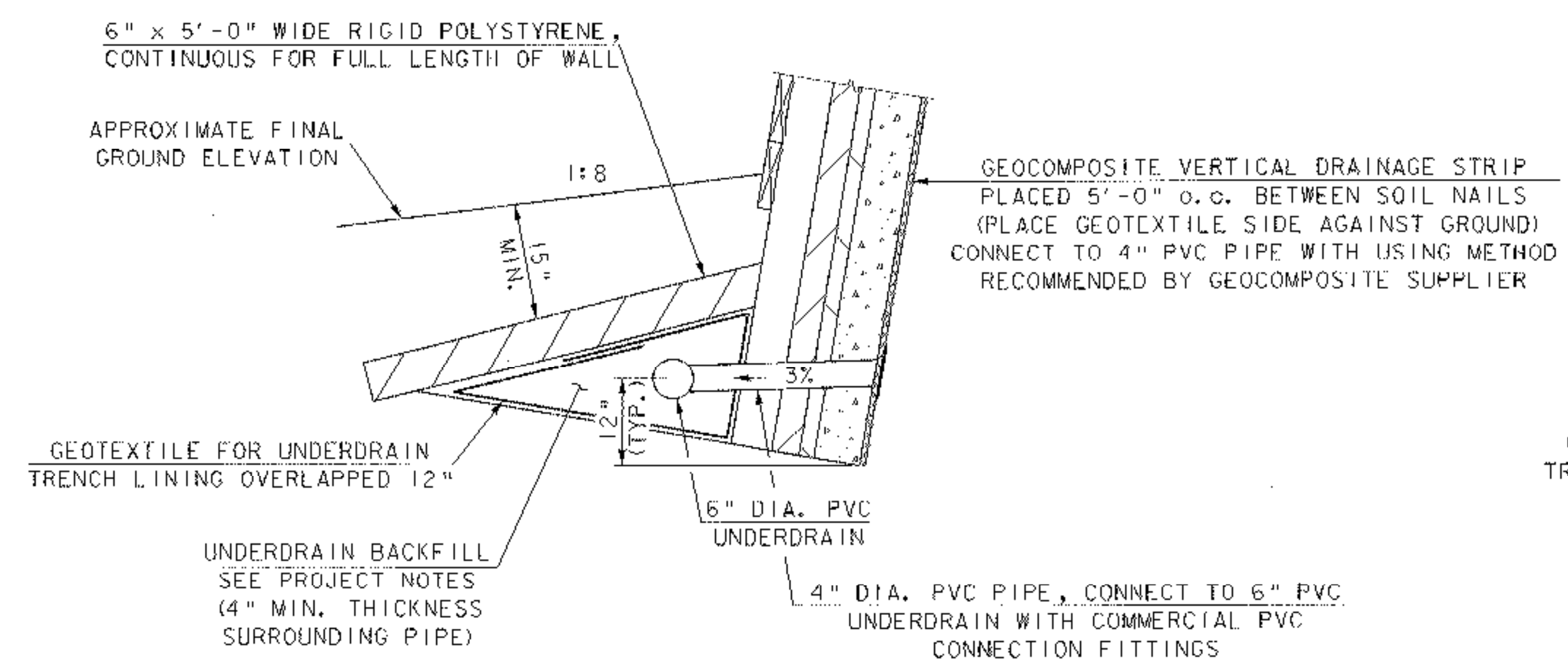


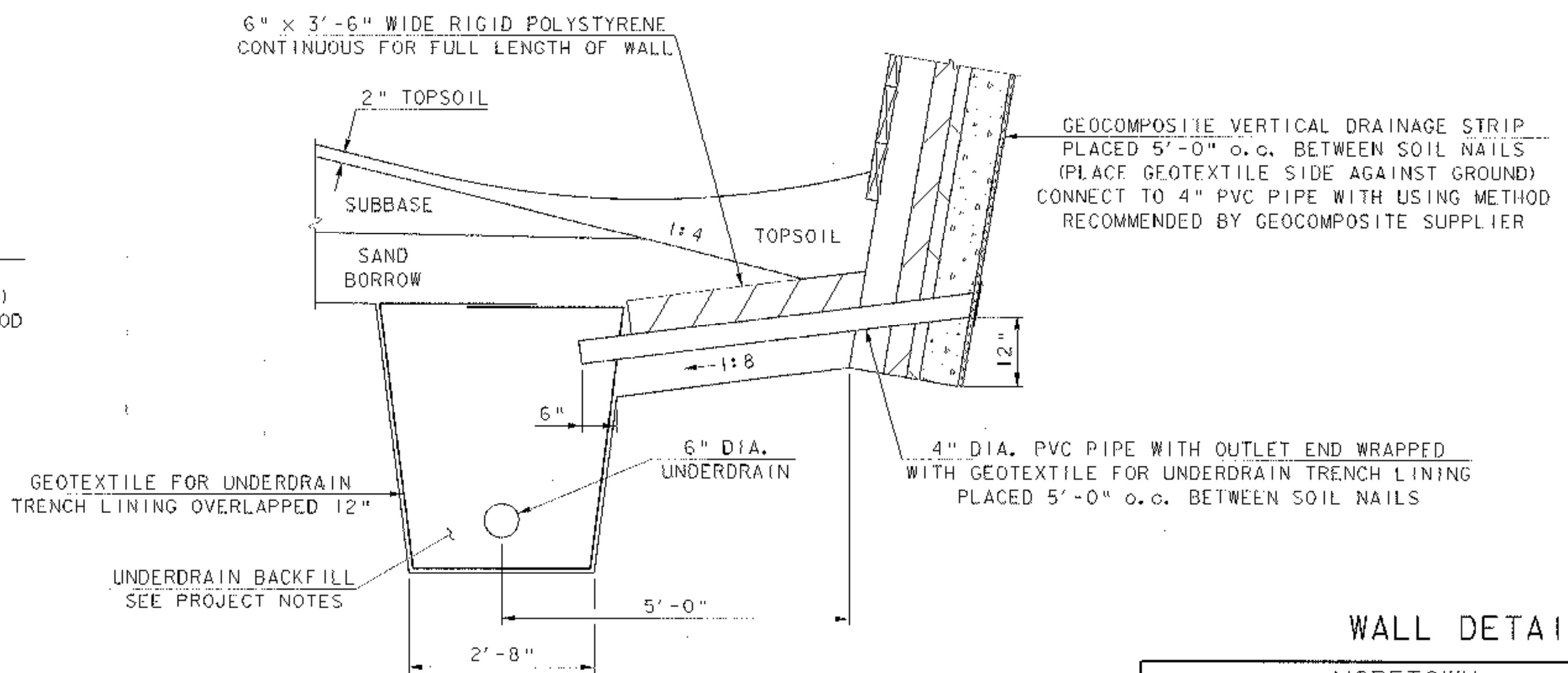
TIMBER CAP AND POST ANCHOR DETAIL
SCALE: 1/2" = 1'-0"



SOIL NAIL DETAIL
SCALE: 1/2" = 1'-0"



UPPER WALL DRAINAGE DETAIL
SCALE: 3/4" = 1'-0"



LOWER WALL DRAINAGE DETAIL
SCALE: 3/4" = 1'-0"

WALL DETAILS

PROJECT NAME:	MORETOWN
PROJECT NUMBER:	STP EGC RSEGC 0167 (9)
FILE NAME:	\\78el32\Structures\sel32det.J
PLOT DATE:	12-MAY-2000
PROJECT LEADER:	R. R. WHITCOMB
DRAWN BY:	G. ROY
DESIGNED BY:	C. ALLEN
CHECKED BY:	C. ALLEN
BRIDGE SHEET BR314	SHEET 144B OF 243