

TH 2 CURVE # 2 DATA

Δ = 21°49'-45" LT.
 D = 10°
 R = 572.958'
 T = 110.486'
 L = 218.292'
 E = 10.55'

37+75
 END TH 2 APPROACH
 CONSTRUCTION

TH 2 POT 38+33.80

DRILLING AND BLASTING OF
 SOLID ROCK SUBGRADE
 TH 2 31+75 ~ 33+25 59

GRUBBING MATERIAL
 TH 2 34+00 LT. ~ 37+25 LT.

EXCAVATION OF SURFACES
 AND PAVEMENTS
 ((AREA TO BE TOPSOILED, SEEDED
 AND MULCHED))
~~OLD TH 2 - SURV. 31+50 ~ 33+75 LT.~~

MODIFIED ECCENTRIC
 LOADER TERRMINAL(MELT)
 TH 2 33+25 ~ 33+62.5 LT.
 TH 2 36+87.5 ~ 37+25 LT.

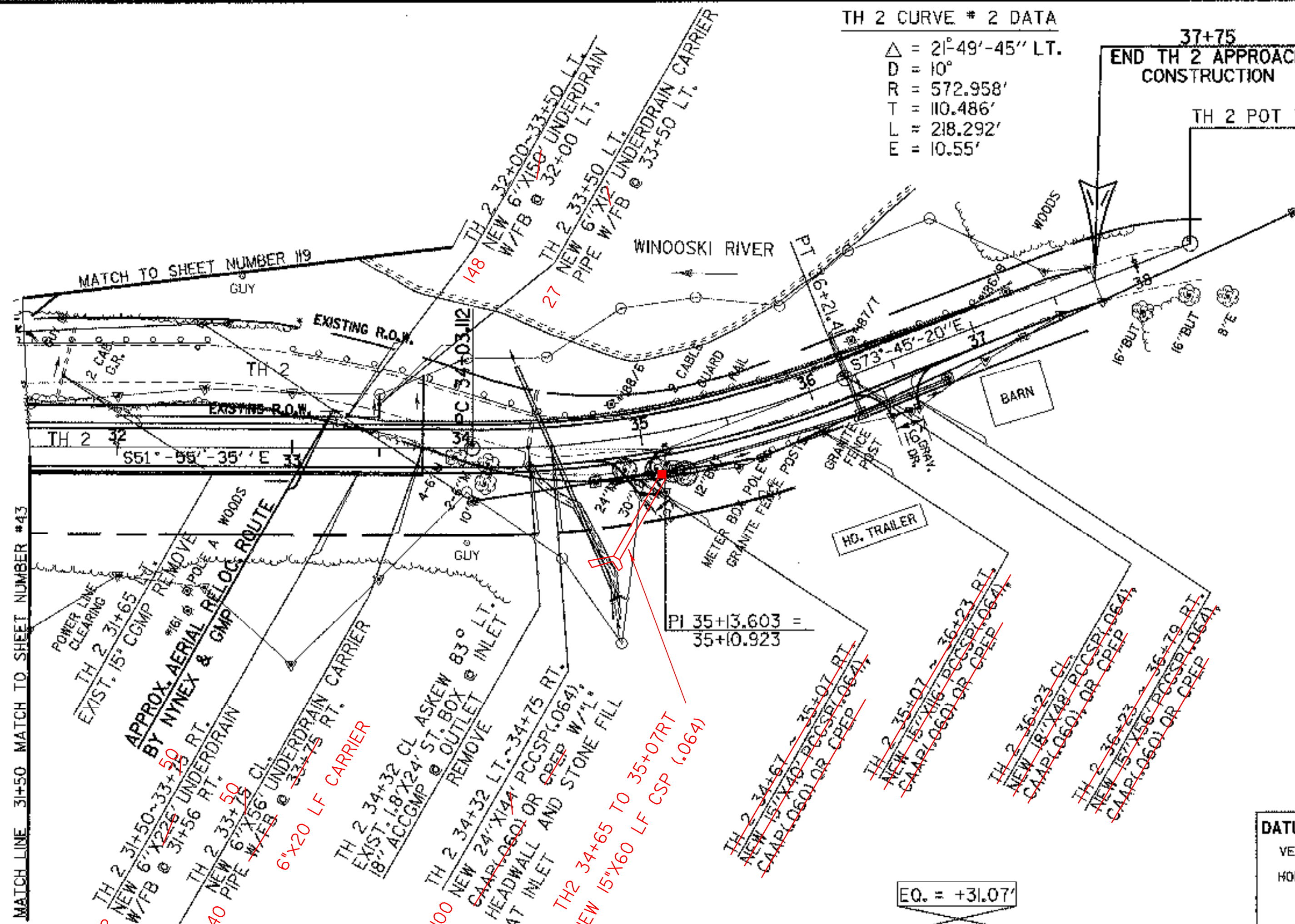
CONSTRUCT DRIVE
 TH 2 34+88 RT. (GRAVEL)
 TH 2 36+50 RT. (GRAVEL)

DRIVE GATE FOR WOVEN WIRE FENCE
 TH 2 34+88 RT. (16' WIDE)
 (2 - 8' GATES W/ OPENING IN MIDDLE)

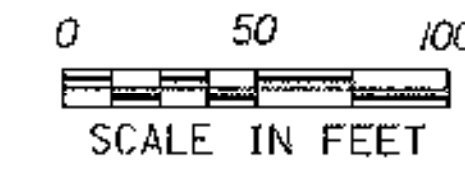
REMOVAL AND DISPOSAL OF
 GUARD RAIL
 TH 2 31+50 ~ 32+54 LT.
 TH 2 33+00 ~ 37+07 LT.

REMOVAL OF EXISTING FENCE
~~TH 2 31+50 ~ 35+00 RT.~~

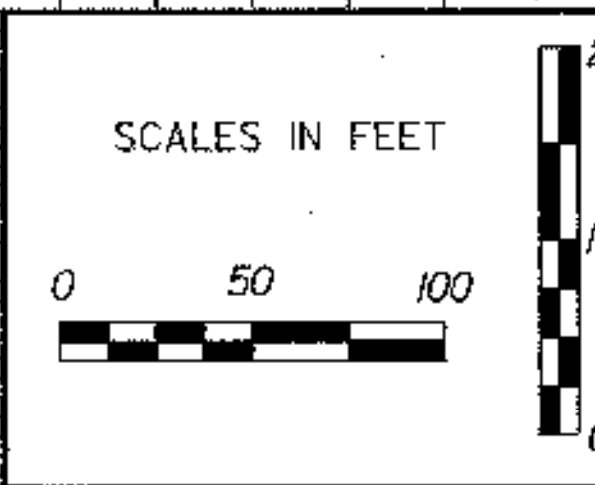
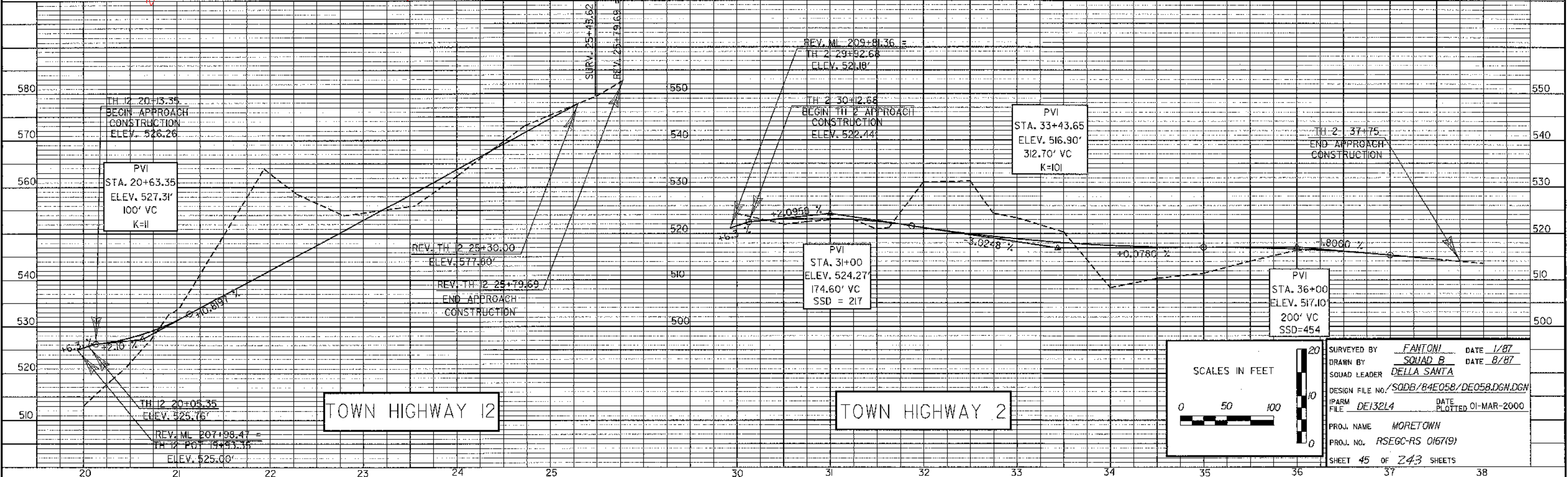
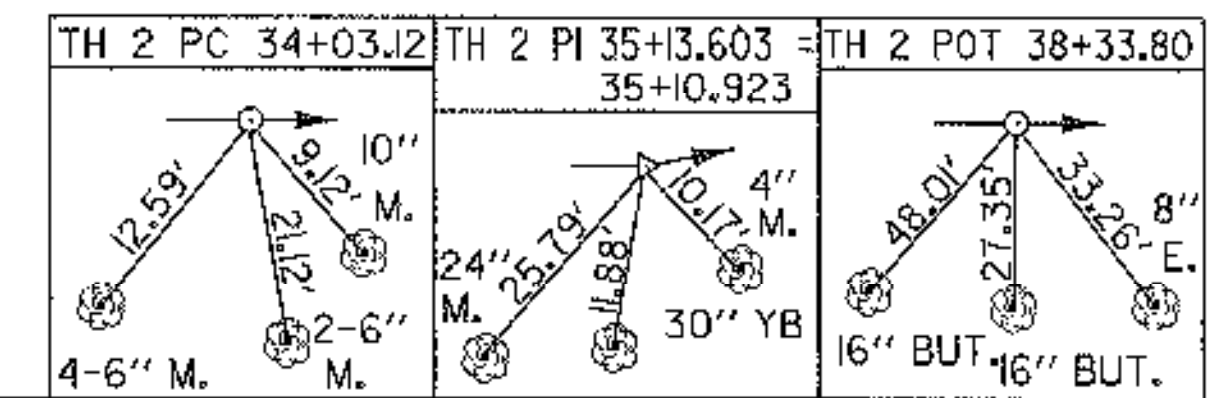
STEEL BEAM GUARD RAIL
 TH 2 33+62.5 ~ 36+87.5 LT.



DATUM
 VERTICAL NGVD 1929
 HORIZONTAL N/A



○ DENOTES REMOVAL OF TREE OR STUMP



SURVEYED BY FANTONI DATE 1/87
 DRAWN BY SQUAD B DATE 8/87
 SQUAD LEADER DELLA SANTA
 DESIGN FILE NO. SQDB/84E058/DE058.DGN.DGN
 IPARM FILE DE13214 DATE PLOTTED 01-MAR-2000
 PROJ. NAME MORETOWN
 PROJ. NO. RSEGC-RS 016719)
 SHEET 45 OF 243 SHEETS