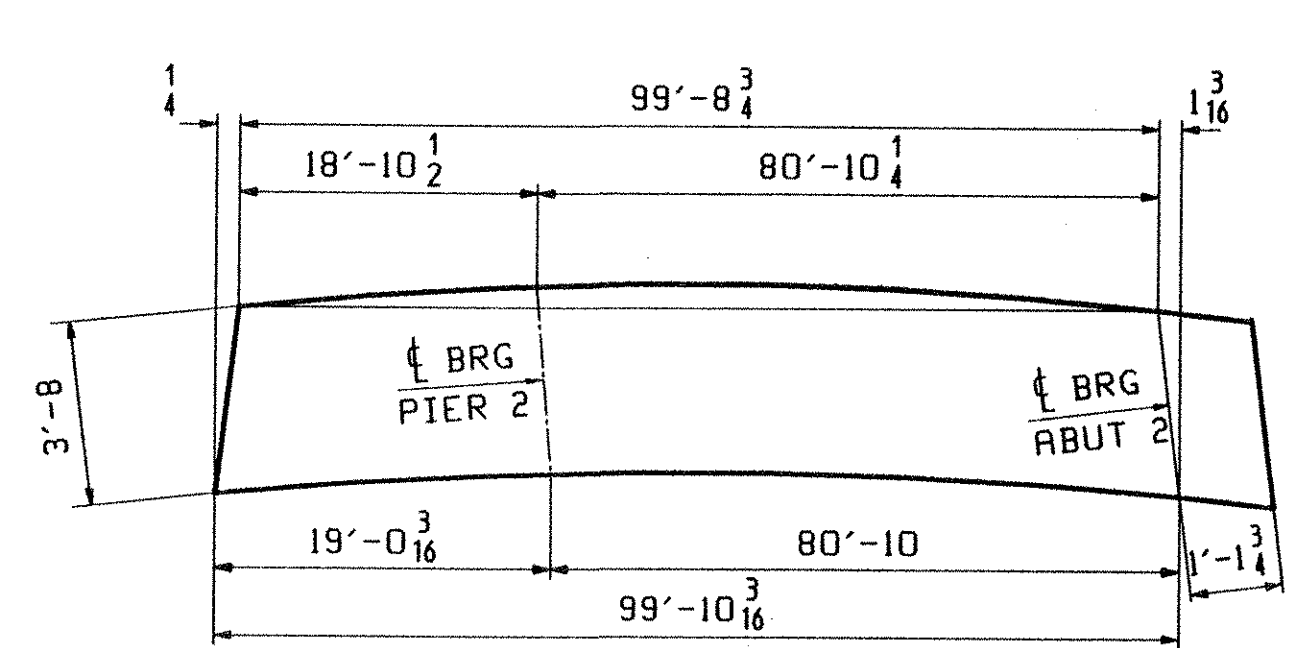
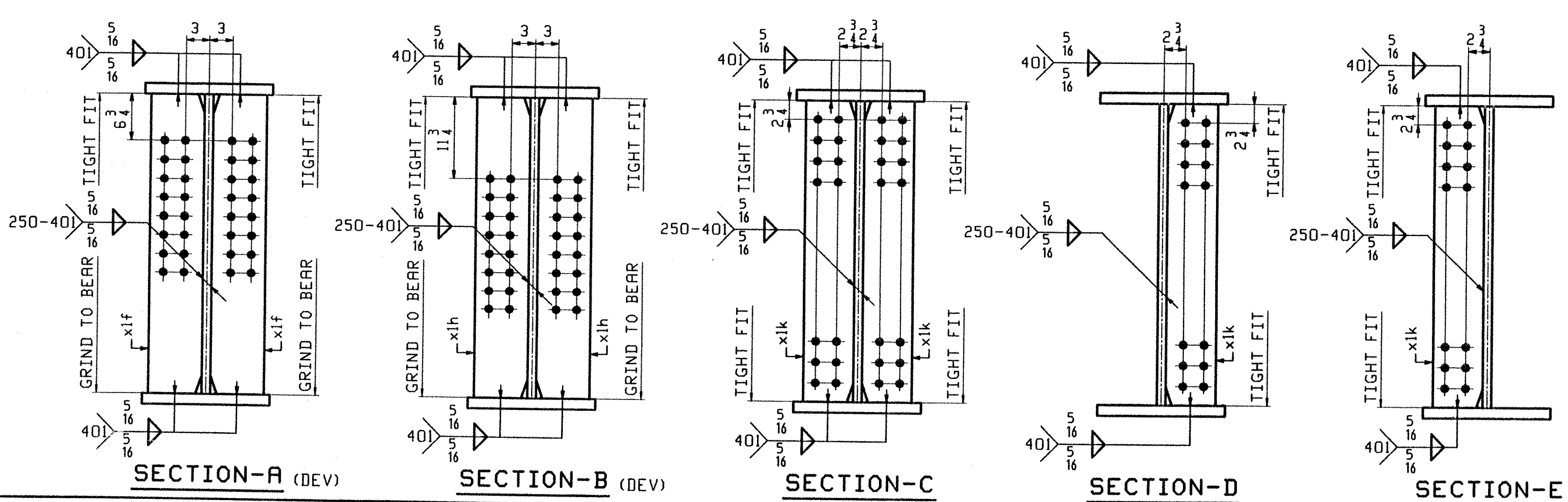
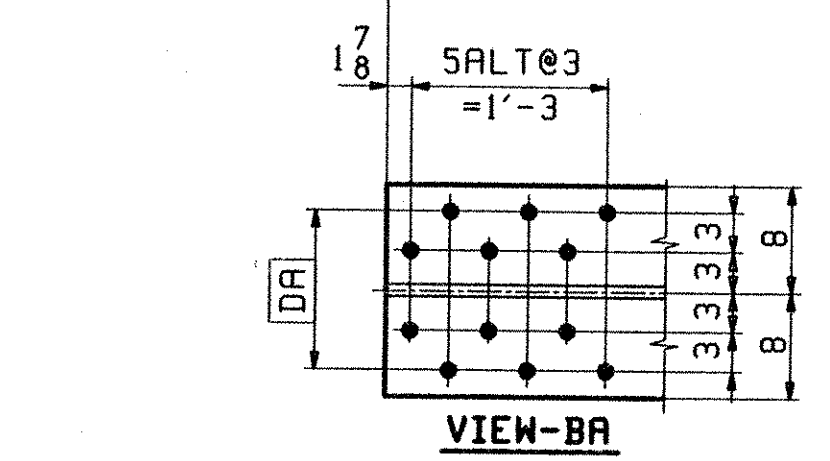


ABM INFO		SHIP	BILL OF MATERIAL				JOB NO.	DRAWING NO.	REV.
PAGE	LINE	MARK	QTY	MARK	MATERIAL	LENGTH FT INCHES	REMARKS	WT	PROCUREMENT NOTES
		G4C	1		GIRDER			20129	
4	A		1	wa	PL 1/2x45	51 10 1/4	(M270-50HT2) (H2-3)		
3	Q		1	wb	PL 1/2x45	49 1 1/8	(M270-50HT2) (H2-3)		
1	G		1	ta	PL 1/2x16	29 0 1/8	(M270-50HT2) (H2-3)		
2	C		1	tb	PL 1/2x16	71 10 7/16	(M270-50HT2) (H2-3)		
1	G		1	ba	PL 1/2x16	29 0 1/8	(M270-50HT2) (H2-3)		
2	C		1	bb	PL 1/2x16	71 11 1/8	(M270-50HT2) (H2-3)		
5	C		12	xik	PL 1/2x7	3 8	(M270-50HT2) (H2-3)		
5	B		2	xih	PL 3/4x7 1/2	3 8	(M270-50HT2) (H2-3)		
5	B		2	xif	PL 3/4x7 1/2	3 8	(M270-50HT2) (H2-3)		

ONE - GIRDER - G4C (DEV)

1. FOR GIRDER STANDARD DETAILS SEE DWG. XI.
2. FOR CAMBER DIAGRAM SEE DWG. C3.
3. FOR FLANGE DIAGRAM SEE DWG. F3.
4. FOR GENERAL NOTES SEE SHT. GNI.



ORIENTATION DIAGRAM
FOR CAMBER SEE SHEET C3

RECEIVED
OK'D BY DRV OK'D BY _____
SEP 16 2002
RESUBMITTED BY RW APPROVED AK DATE 10-7-02

OUT FOR APPROVAL	9-13-02										
OUT FOR APPROVAL											
ISSUED TO SHOP											
FIELD & OFFICE											
REV.	REMARKS	DATE	DWN	CHK	APP	Q.A.	NO.	DIA.	LGT	TYPE	WASHER
MATERIAL:	ELECTRODES:	HOLES:	SHOP BOLTS:								
M270-50W		15/16" φ									
SURFACE PREP. & PAINT: -STEEL WITHIN 10'-0" ENDS OF GIRDERS SHALL BE PAINTED (SEE GNI) -ALL OTHER STEEL SHALL BE BLAST CLEANED AND LEFT UNPAINTED.											
DESCRIPTION:	GIRDER - G4C							DRAWN BY	DATE		
JOB:	VT. ROUTE 9 OVER DEERFIELD RIVER BRIDGE 25B SEARSBURG, VERMONT CONTRACTOR: J.A. McDONALD							ATD	09/02		
								CHKD BY			
								DO	09/05		
								APPROV BY			
								SUPERVISOR	M. J. GRATTI		
PROJ NO.	NHF-010-1(18)							Q.A.			
CUSTOMER: VERMONT AGENCY OF TRANSPORTATION											
CASCO BAY STEEL STRUCTURES, INC.										JOB NO.	DRG. NO.
75 SPRING HILL ROAD SACO, MAINE 04072										167	16
PHONE (207) 282-7360 FAX. (207) 282-1179										REV.	△