

ONE - GIRDER - G2C (DEV)

1. FOR GIRDER STANDARD DETAILS SEE DWG. XI.
2. FOR CAMBER DIAGRAM SEE DWG. C3.
3. FOR FLANGE DIAGRAM SEE DWG. F3.
4. FOR GENERAL NOTES SEE SHT. GNI.

ABM INFO		SHIP		BILL OF MATERIAL				JOB NO.	DRAWING NO.	REV.
PAGE	LINE	MARK	QTY	MARK	MATERIAL	LENGTH FT	INCHES	REMARKS	WT	PROCUREMENT NOTES
		G2C	1		GIRDER					21219
3	S		1	wa	PL 1/2x45	56	8 1/16	(M270-50HT2) (H2-3)		
3	O		1	wb	PL 1/2x44 7/8	49	1 1/16	(M270-50HT2) (H2-3)		
1	C		1	ta	PL 1/2x16	33	0 8/8	(M270-50HT2) (H2-3)		
1	H		1	tb	PL 7/8x16	72	8 3/16	(M270-50HT2) (H2-3)		
1	C		1	ba	PL 1/2x16	33	0 8/8	(M270-50HT2) (H2-3)		
1	H		1	bb	PL 7/8x16	72	9 5/8	(M270-50HT2) (H2-3)		
5	C		12	x1k	PL 1/2x7	3	8	(M270-50HT2) (H2-3)		
5	B		2	x1h	PL 3/4x7 1/2	3	8	(M270-50HT2) (H2-3)		
5	B		2	x1f	PL 3/4x7 1/2	3	8	(M270-50HT2) (H2-3)		

RECEIVED

OK'D BY: *EDV* OK'D BY: _____

SEP 16 2002

RESUBMIT _____ APPROVED: *As Noted*

BY *RRL* DATE 10-3-02

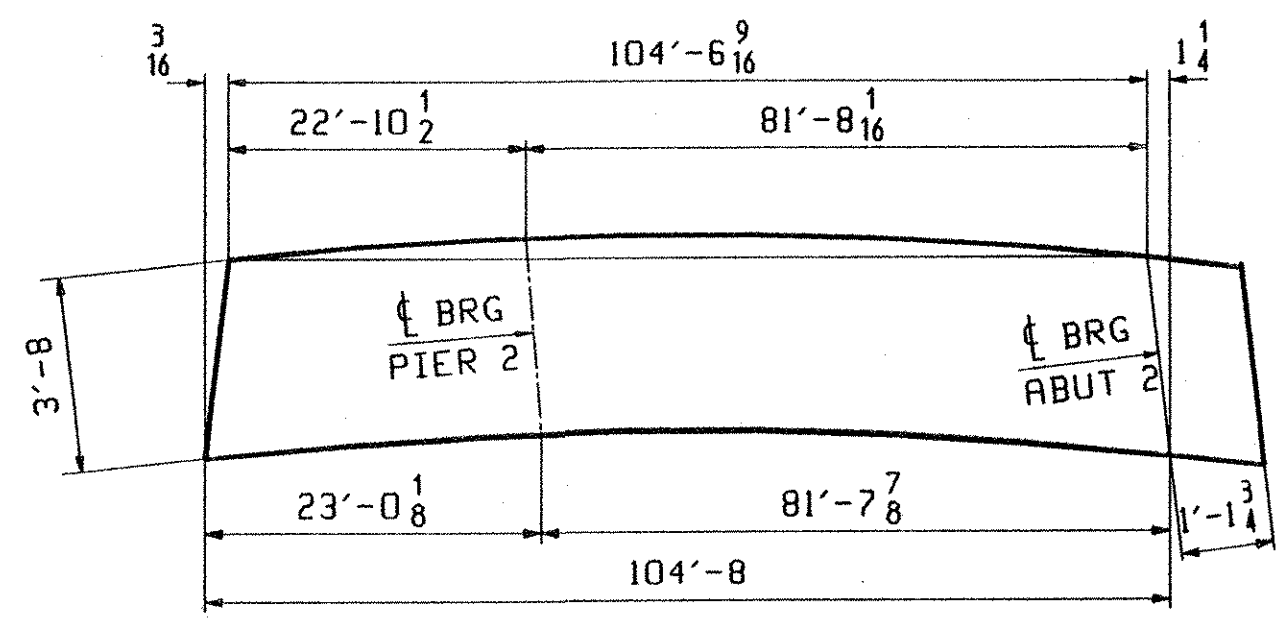
OUT FOR APPROVAL	9/13/02									
OUT FOR APPROVAL										
ISSUED TO SHOP										
FIELD & OFFICE										

REV.	REMARKS	DATE	DWN	CHK	APP	Q.A.	NO.	DIA.	LGT	TYPE	WASHER
	MATERIAL: M270-50W										
	ELECTRODES:										
	HOLES: 15 1/16 φ										
	SHOP BOLTS:										

SURFACE PREP. & PAINT:
 -STEEL WITHIN 10'-0 ENDS OF GIRDERS SHALL BE PAINTED (SEE GNI)
 -ALL OTHER STEEL SHALL BE BLAST CLEANED AND LEFT UNPAINTED.

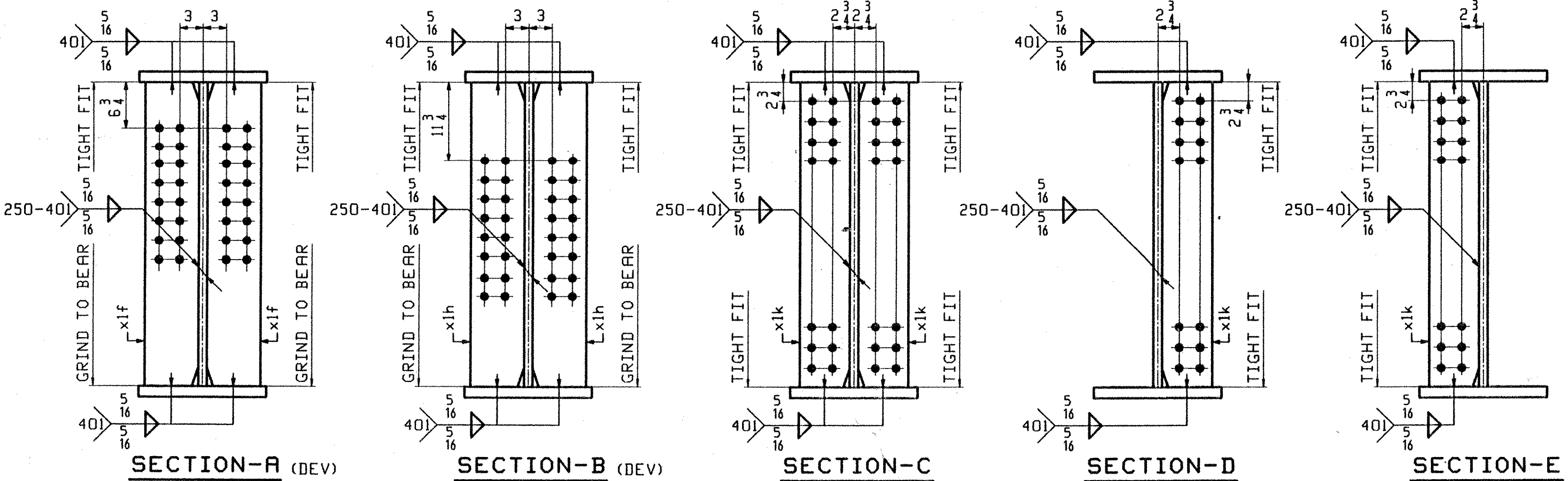
DESCRIPTION:	GIRDER - G2C	DRAWN BY	ATD	DATE	09/02
JOB:	VT. ROUTE 9 OVER DEERFIELD RIVER	CHKD BY	DO	DATE	09/05
	BRIDGE 25B	APPROV BY			
	SEARSBURG, VERMONT	SUPERVISOR	M. J. GATTI		
	CONTRACTOR: J.A. McDONALD				

PROJ NO.	NHF-010-1(18)	Q.A.	
CUSTOMER:	VERMONT AGENCY OF TRANSPORTATION		
CASCO BAY STEEL STRUCTURES, INC.		JOB NO.	167
75 SPRING HILL ROAD	SACO, MAINE 04072	DRG. NO.	14
PHONE (207) 282-7360	FAX. (207) 282-1179	REV.	△



ORIENTATION DIAGRAM FOR CAMBER SEE SHEET C3

RFD: See 5.10.20.02 EOT 0002 /c:\p\p\2004\25B\1.dwg
 RFD: See 5.10.20.02 EOT 0002 /c:\p\p\2004\25B\1.dwg



699 - 5P25B - 5614