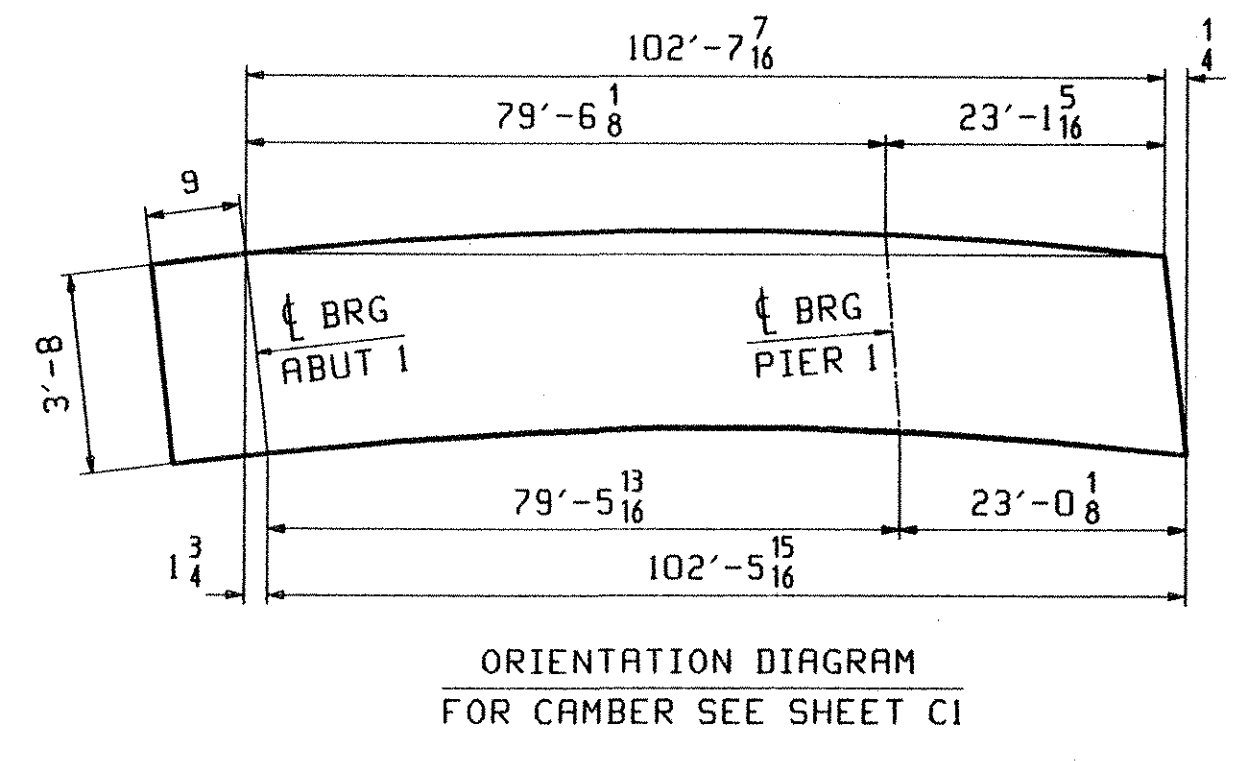
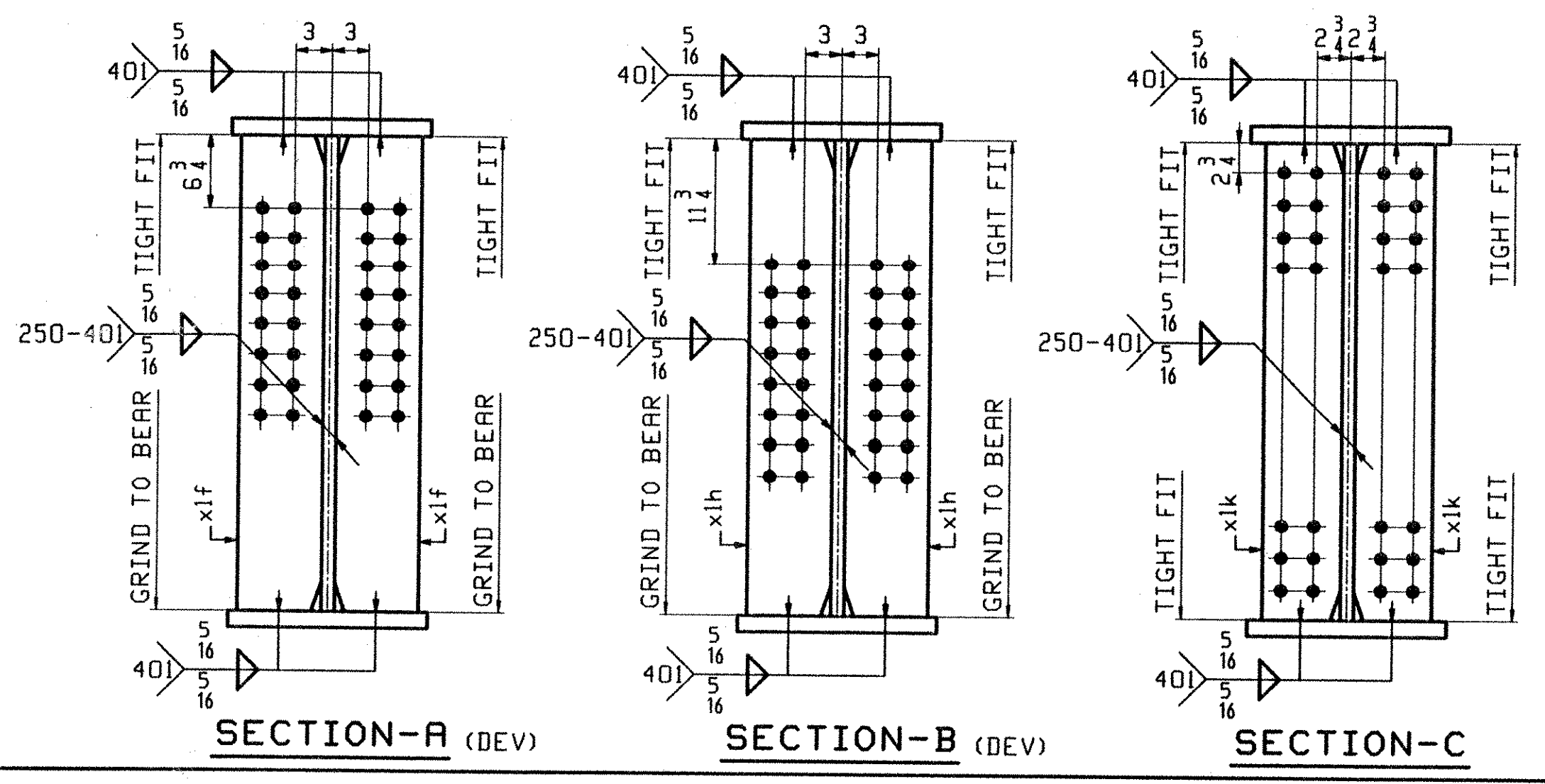


ONE - GIRDER - G5A (DEV)

1. FOR GIRDER STANDARD DETAILS SEE DWG. XI.
2. FOR CAMBER DIAGRAM SEE DWG. CI.
3. FOR FLANGE DIAGRAM SEE DWG. FI.
4. FOR GENERAL NOTES SEE SHT. GNI.



ABM INFO		SHIP	BILL OF MATERIAL				JOB NO.	DRAWING NO.	REV.	
PAGE	LINE	MARK	QTY	MARK	MATERIAL	LENGTH FT	INCHES	REMARKS	WT	PROCUREMENT NOTES
		G5A	1		GIRDER				20791	
3	N		1	wa	PL 1/2x45	49	10 3/4	(M270-50HT2) (H2-3)		
4	L		1	wb	PL 1/2x45	53	6	(M270-50HT2) (H2-3)		
2	N		1	ta	PL 1/2x16	69	4 3/8	(M270-50HT2) (H2-3)		
1	A		1	tb	PL 1/2x16	34	0 1/16	(M270-50HT2) (H2-3)		
2	N		1	ba	PL 1/2x16	69	2 1/8	(M270-50HT2) (H2-3)		
1	A		1	bb	PL 1/2x16	34	0 1/16	(M270-50HT2) (H2-3)		
5	B		2	xif	PL 3/4x7 1/2	3	8	(M270-50HT2) (H2-3)		
5	C		10	xik	PL 1/2x7	3	8	(M270-50HT2) (H2-3)		
5	B		2	xih	PL 3/4x7 1/2	3	8	(M270-50HT2) (H2-3)		

OUT FOR APPROVAL	7-31-02									
ISSUED TO SHOP										
FIELD & OFFICE										

RECEIVED
 OK'D BY: DJV OK'D BY:
 SEP 16 2002
 RESUBMIT APPROVED: [Signature]
 BY: PRW DATE: 10-3-02

REV.	REMARKS	DATE	DWN	CHK	APP	Q.A.	NO.	DIA.	LGT	TYPE	WASHER
	MATERIAL: M270-50W										
	ELECTRODES:										
	HOLES: 15/16" Ø										
	SHOP BOLTS:										

SURFACE PREP. & PAINT:
 -STEEL WITHIN 10'-0 ENDS OF GIRDERS SHALL BE PAINTED (SEE GNI)
 -ALL OTHER STEEL SHALL BE BLAST CLEANED AND LEFT UNPAINTED.

DESCRIPTION:	GIRDER - G5A	DRAWN BY:	DATE:
JOB:	VT. ROUTE 9 OVER DEERFIELD RIVER	ATD	08/30
	BRIDGE 25B	CHKD BY:	
	SEARSBURG, VERMONT	DO	09/04
	CONTRACTOR: J.A. McDONALD	APPROV BY:	
		SUPERVISOR: M. J. GATTI	
PROJ NO.	NHF-D10-1(18)	Q.A.	

CUSTOMER: VERMONT AGENCY OF TRANSPORTATION		JOB NO.	DRG. NO.
CASCO BAY STEEL STRUCTURES, INC.		167	5
75 SPRING HILL ROAD SACO, MAINE 04072		REV.	△
PHONE (207) 282-7360 FAX. (207) 282-1179			