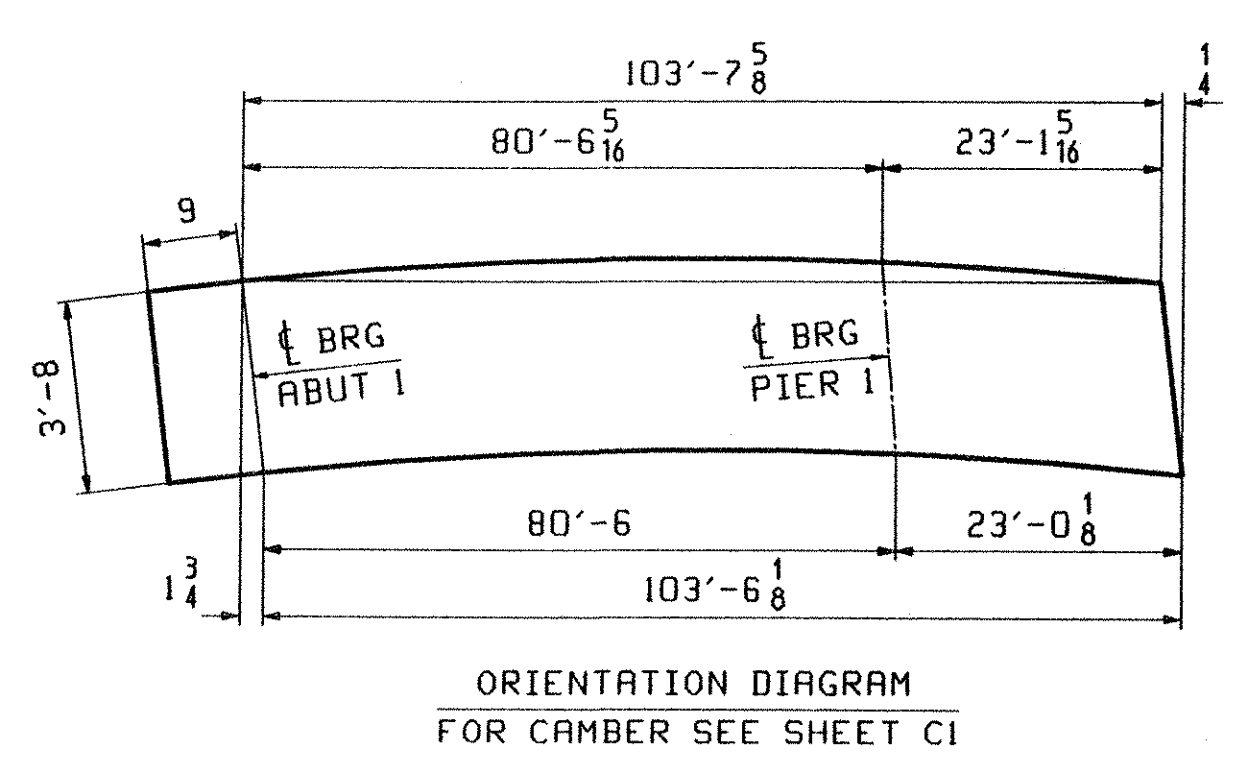
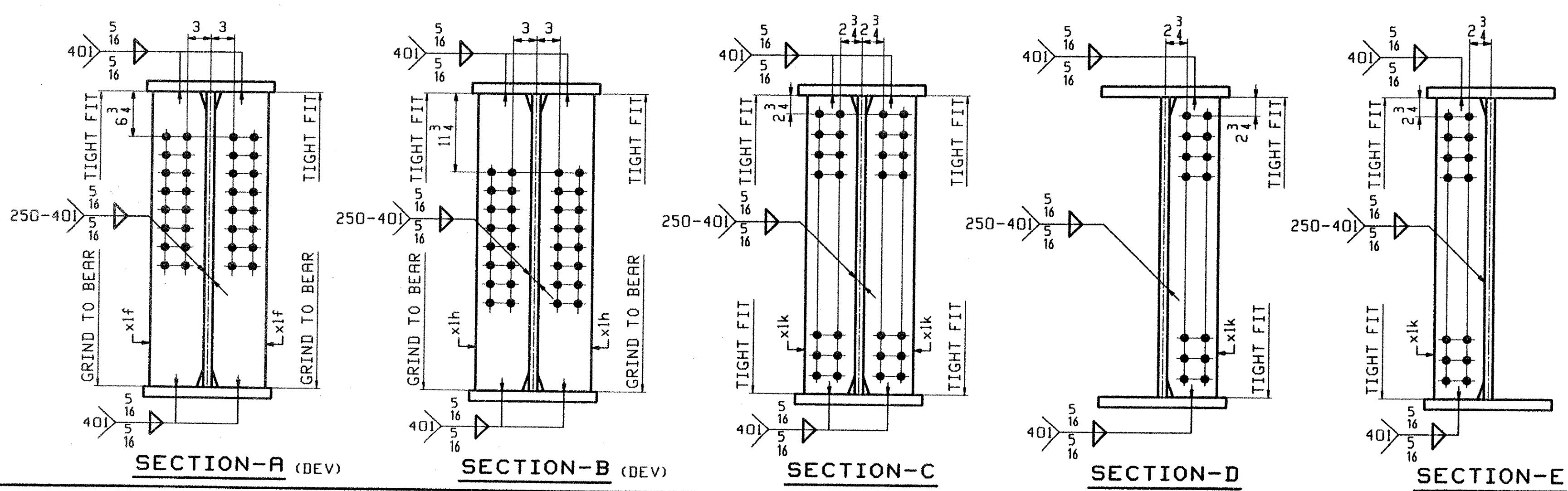


ONE - GIRDER - G4A (DEV)

1. FOR GIRDER STANDARD DETAILS SEE DWG. XI.
2. FOR CAMBER DIAGRAM SEE DWG. CI.
3. FOR FLANGE DIAGRAM SEE DWG. FI.
4. FOR GENERAL NOTES SEE SHT. GNI.

RECEIVED
 OK'D BY: DJV OK'D BY:
 SEP 16 2002
 RESUBMIT APPROVED
 BY: RW DATE: 10-3-02



ABM INFO		BILL OF MATERIAL				JOB NO.	DRAWING NO.	REV.	
PAGE	LINE	MARK	QTY	MARK	MATERIAL	LENGTH FT INCHES	REMARKS	WT	PROCUREMENT NOTES
		G4A	1		GIRDER			20941	
3	N		1	wa	PL 1/2 x 45	49 10 3/4	(M270-50HT2) (H2-3)		
4	J		1	wb	PL 1/2 x 45	54 6 3/4	(M270-50HT2) (H2-3)		
2	E		1	ta	PL 7/8 x 16	71 4 1/4	(M270-50HT2) (H2-3)		
1	C		1	tb	PL 1 1/2 x 16	33 0 1/4	(M270-50HT2) (H2-3)		
2	G		1	ba	PL 7/8 x 16	71 3 1/4	(M270-50HT2) (H2-3)		
1	C		1	bb	PL 1 1/2 x 16	33 0 1/4	(M270-50HT2) (H2-3)		
5	B		2	xif	PL 3/4 x 7 1/2	3 8	(M270-50HT2) (H2-3)		
5	C		11	xik	PL 1/2 x 7	3 8	(M270-50HT2) (H2-3)		
5	B		2	xih	PL 3/4 x 7 1/2	3 8	(M270-50HT2) (H2-3)		

OUT FOR APPROVAL	7/13/02										
OUT FOR APPROVAL											
ISSUED TO SHOP											
FIELD & OFFICE											
REV.	REMARKS	DATE	DWN	CHK	APP	O.A.	NO.	DIA.	LGT	TYPE	WASHER
	MATERIAL:										
	M270-50W										
	ELECTRODES:										
	HOLES:										
	15/16" φ										
	SHOP BOLTS:										
SURFACE PREP. & PAINT: -STEEL WITHIN 10'-0" ENDS OF GIRDERS SHALL BE PAINTED (SEE GNI) -ALL OTHER STEEL SHALL BE BLAST CLEANED AND LEFT UNPAINTED.											
DESCRIPTION:		GIRDER - G4A				DRAWN BY	DATE				
JOB:		VT. ROUTE 9 OVER DEERFIELD RIVER				ATD	08/30				
		BRIDGE 25B				CHKD BY					
		SEARSBURG, VERMONT				DO	09/04				
		CONTRACTOR: J.A. McDONALD				APPROV BY					
						SUPERVISOR	M. J. GATTI				
PROJ NO.		NH-010-(118)				O.A.					
CUSTOMER: VERMONT AGENCY OF TRANSPORTATION											
CASCO BAY STEEL STRUCTURES, INC.						JOB NO.	DRG. NO.				
75 SPRING HILL ROAD						167	4				
SACO, MAINE 04072						REV.					
PHONE (207) 282-7360						FAX.	(207) 282-1179				

410 F1-04a 8/14/02 01/2002 10/14/02 2002-01-14 10/14/02

689-SP-25B-004