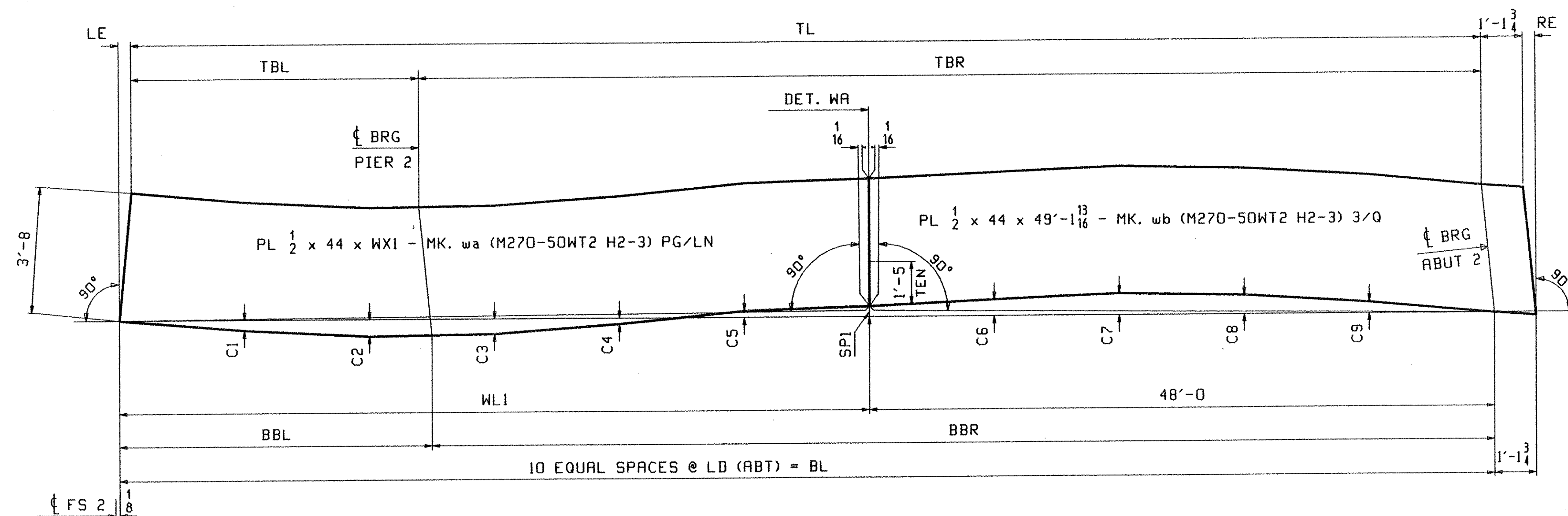


WEB CUTTING DIAGRAM FOR G1C & G4C

MARK	TL	BL	RE	WLI	WXI	SPI	TBL	TBR	BBL	BBR	LD	C1	C2	C3	C4	C5	C6	C7	C8	C9	WEB MK. wa PG/LINE
G1C	99'-11 11/16	100'-1 3/16	1 1/4	52'-1 3/16	52'-1 1/4	13/16	17'-10 7/16	82'-1 1/4	18'-0 1/8	82'-1 1/16	10'-0 1/8	9/16	3/4	9/16	0	11/16	1/4	1 1/2	1 1/4	11/16	4 / N
G4C	99'-8 3/4	99'-10 3/16	1 3/16	51'-10 3/16	51'-10 1/4	11/16	18'-10 1/2	80'-10 1/4	19'-0 3/16	80'-10	9'-11 7/8	5/8	7/8	5/8	1/16	9/16	1/8	1 7/16	1 5/16	11/16	4 / A



WEB CUTTING DIAGRAM FOR G2C, G3C, G5C & G6C

MARK	TL	BL	LE	RE	WLI	WXI	SPI	TBL	TBR	BBL	BBR	LD	C1	C2	C3	C4	C5	C6	C7	C8	C9	WEB MK. wa PG/LINE
G2C	104'-6 9/16	104'-8	3/16	1 1/4	56'-8	56'-8 1/16	5/8	22'-10 1/2	81'-8 1/16	23'-0 1/8	81'-7 7/8	10'-5 5/8	5/8	1	7/8	3/8	3/8	1	5/16	3/16	11/16	3 / S
G3C	104'-1 9/16	104'-3	3/16	1 1/4	56'-3	56'-3 1/16	5/8	22'-10 1/2	81'-3 1/16	23'-0 1/8	81'-2 7/8	10'-5 1/8	5/8	1	15/16	3/8	3/8	15/16	1/4	3/16	11/16	3 / U
G5C	103'-4 1/4	103'-5 5/8	3/16	1 3/16	55'-5 5/8	55'-5 11/16	9/16	22'-10 1/2	80'-5 3/4	23'-0 1/8	80'-5 1/2	10'-4 1/8	5/8	1 1/16	15/16	3/8	5/16	1	5/16	1/4	11/16	3 / W
G6C	102'-11 15/16	103'-1 1/4	3/16	1 1/8	55'-1 1/4	55'-1 5/16	9/16	22'-10 9/16	80'-1 3/8	23'-0 3/16	80'-1 1/16	10'-3 3/4	5/8	1 1/16	15/16	7/16	3/8	15/16	5/16	3/16	3/4	3 / Y

- NOTES:
- FOR GENERAL NOTES AND WELD DETAIL WA SEE SHT. GNI.
 - H2-3 DENOTES MATERIAL SUBJECT TO CHARPY V-NOTCH TEST AT H FREQ. FOR ZONE 2 OF 15lbs @ 40 °F

OUT FOR APPROVAL	9/16/02																					
ISSUED TO SHOP																						
FIELD & OFFICE																						
REV.	REMARKS	DATE	DWN	CHK	APP	Q.A.	NO.	DIA.	LGT	TYPE	WASHER											
MATERIAL:	ELECTRODES:	HOLES:	SHOP BOLTS:																			

SURFACE PREP. & PAINT:

DESCRIPTION:	CAMBER DIAGRAMS	DRAWN BY	DATE
JOB:	VT. ROUTE OVER DEERFIELD RIVER	AB	07/22
	BRIDGE 25B	CHKD BY	
	SEARSBURG-WILMINGTON	JAK	07/24
	SEARSBURG BENINGTON	APPROV BY	
		SUPERVISOR	W. J. GATTI
PROJ NO.	F-010-(118)	Q.A.	
CUSTOMER:	VERMONT D.O.T.		
CASCO BAY STEEL STRUCTURES, INC.		JOB NO.	DRG. NO.
75 SPRING HILL ROAD		167	C3
PHONE (207) 282-7360		FAX.	(207) 282-1179
		REV.	△

RECEIVED
 OK'D BY DJV OK'D BY
 SEP 16 2002
 RESUBMIT APPROVED
 BY RRW DATE 10-3-02